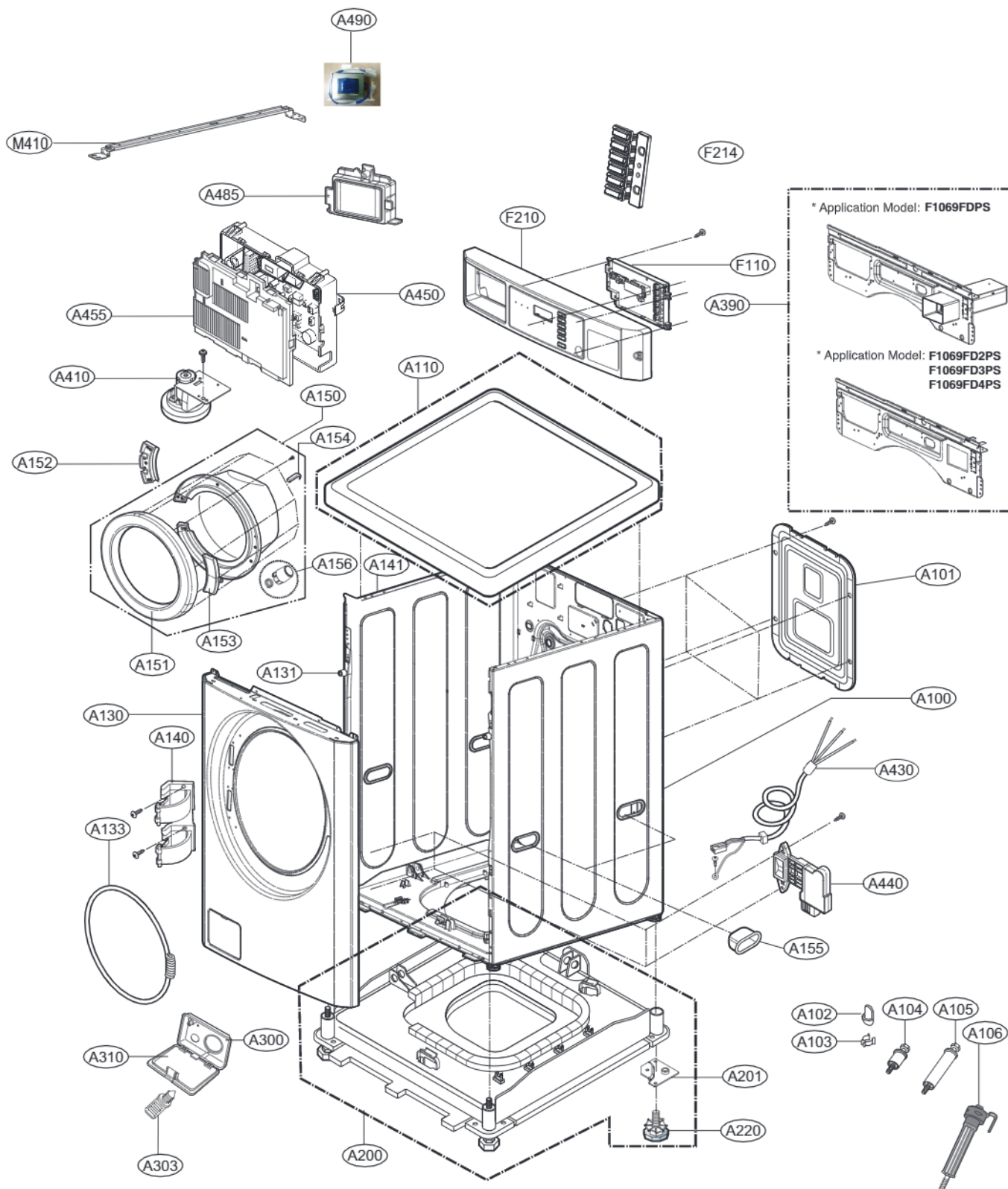
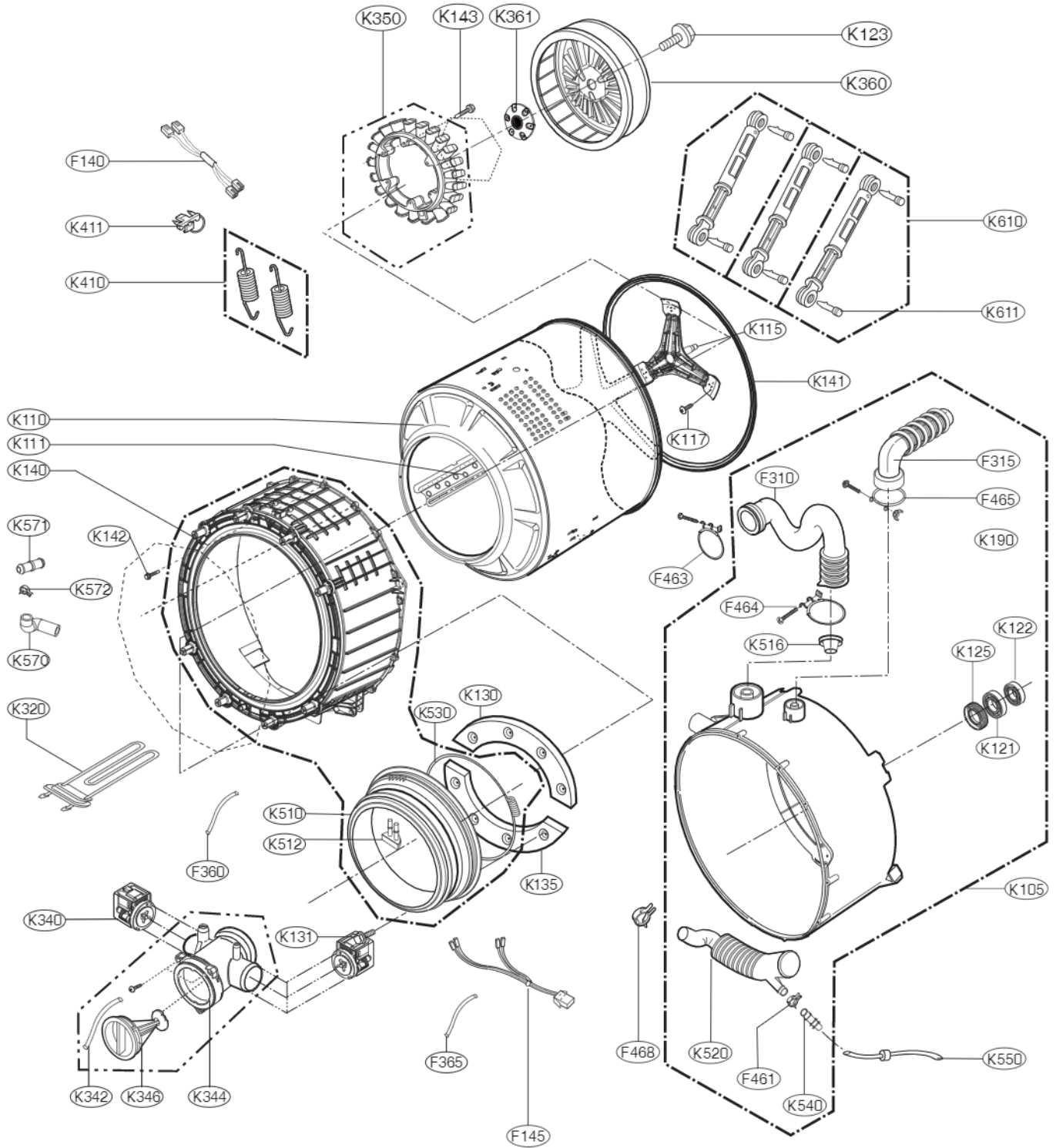


# 11. EXPLODED VIEW

## 11-1. CABINET&CONTROL PANEL ASSEMBLY



# 11-2. DRUM & TUB ASSEMBLY



# 11-3-1. DISPENSER ASSEMBLY (FOR SINGLE MODEL)

