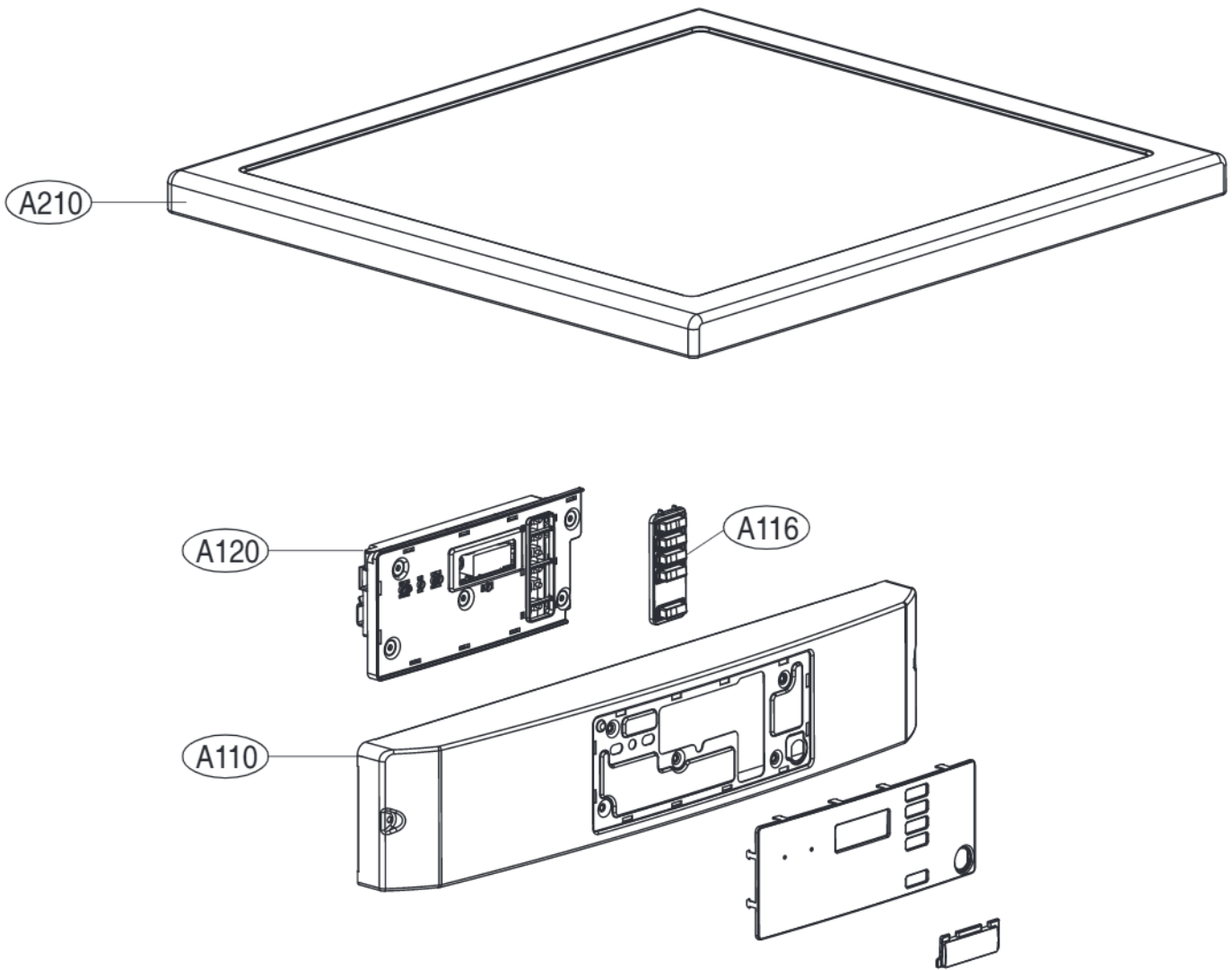


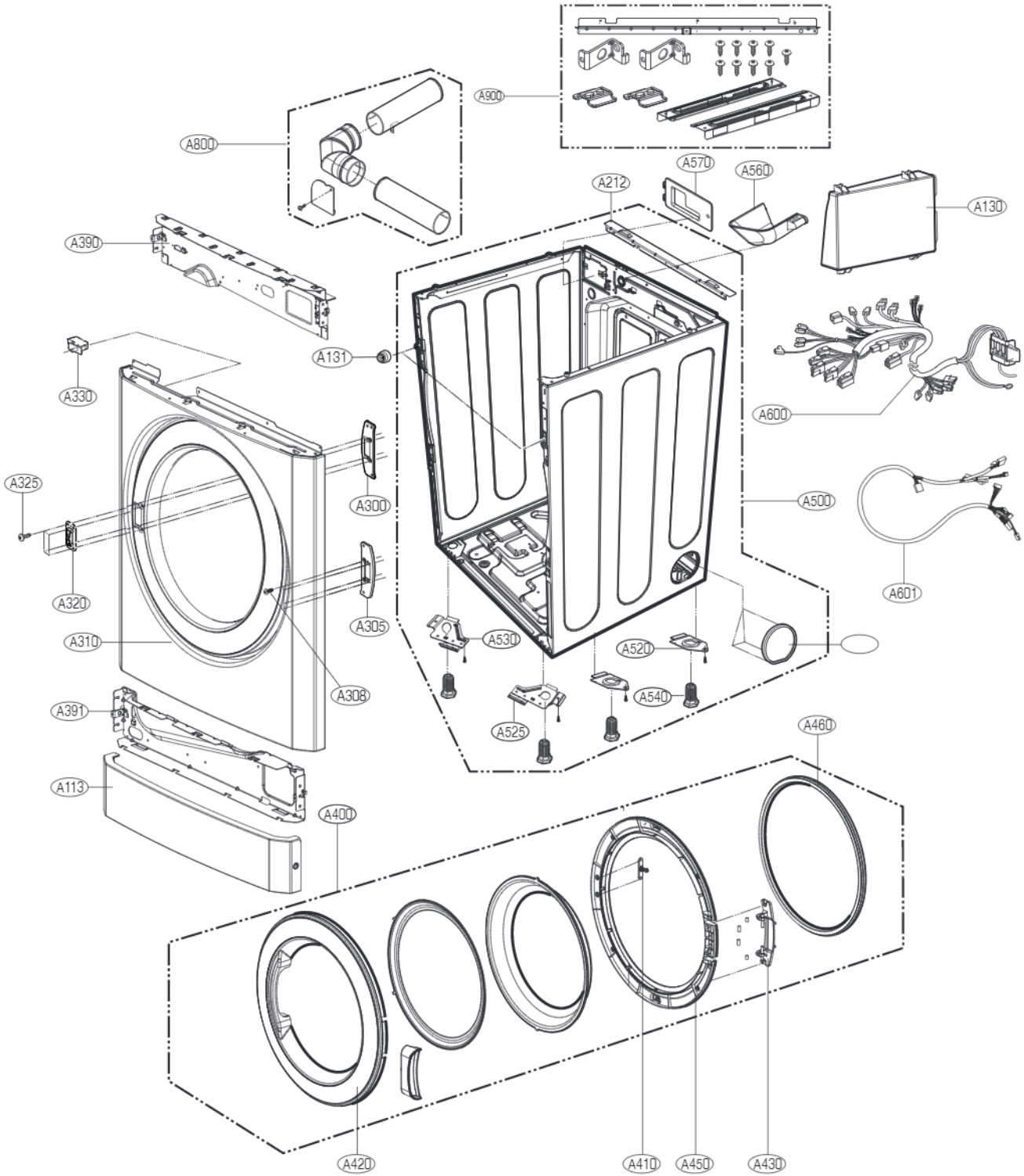
16

EXPLODED VIEW

16-1. Control Panel & Plate Assembly



16-2-2. Cabinet & Door Assembly - Electric Stack Upper Type



16-3. Drum & Motor Assembly: Electric Type

