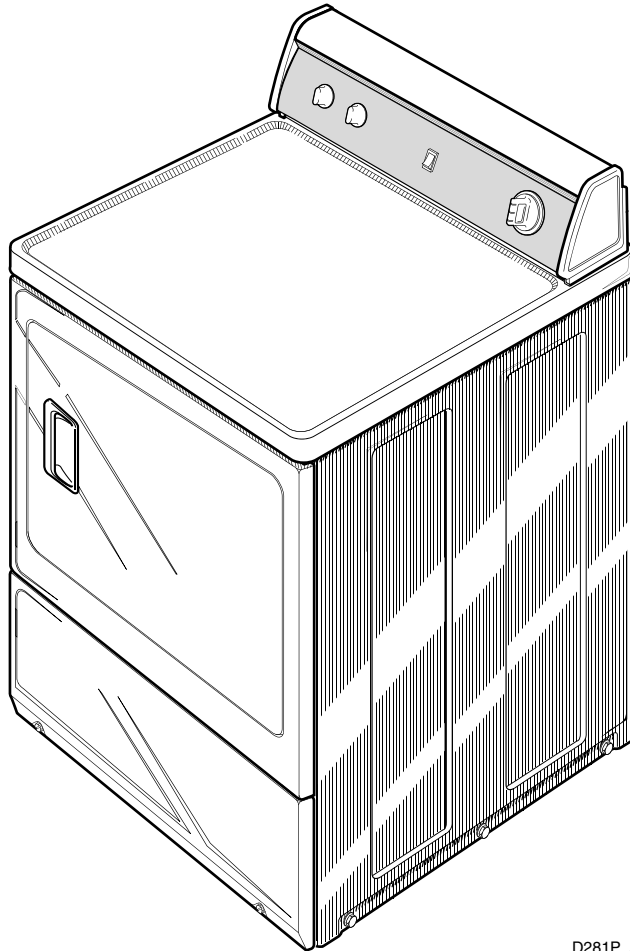


# Homestyle Dryer

Refer to Page 3 for Model Numbers



D281P\_506054

Parts



# Table of Contents

Title	Page
Parts Ordering Information.....	2
Nameplate Location .....	2
Model Identification .....	3
Graphic Panel - Rear Control Models .....	4
Control Panel and Knobs - Rear Control Models.....	6
Controls - Rear Control Models .....	8
Control Cabinet - Front Control Models .....	10
Control Panel and Controls - Front Control.....	12
Control Cabinet and Controls.....	14
Cabinet Top and Control Hood Rear Panel - Rear Control Models .....	16
Loading Door (Drawing 1 of 2).....	18
Loading Door (Drawing 2 of 2).....	20
Access Panel, Front Panel and Seal .....	22
Motor, Exhaust Fan and Belt (Drawing 1 of 2).....	24
Motor, Exhaust Fan and Belt (Drawing 2 of 2).....	26
Thermostat.....	28
Front Bulkhead, Seal and Air Duct - Without Light .....	30
Front Bulkhead, Seal and Air Duct - With Light .....	32
Cylinder, Baffles and Drying Rack .....	34
Rear Bulkhead, Felt Seal and Cylinder Roller - 1 Phase Models.....	36
Terminal Block - 1 Phase Models .....	38
Rear Bulkhead, Felt Seal, Cylinder Roller and Terminal Block - 3 Phase Models.....	40
Heater Duct and Element Assembly - 1 Phase Models .....	42
Heater Duct and Element Assembly - 3 Phase Models .....	44
Heater Duct Assembly .....	46
Gas Valve and Igniter .....	48
Gas Conversion Kits .....	50
Gas Valve, Igniter, Ignition Control and Gas Conversion Kits.....	52
Cabinet, Exhaust Duct and Base .....	54
Power Cord.....	56
Strain Relief .....	58
Terminal Block and Terminals .....	60
Terminals .....	62
Motor Connection Block, Terminal Extractor Tools.....	64
Wire Harnesses and Wires - Front Control Models.....	66
Wire Harnesses and Wires - Rear Control Models .....	68
Parts Index.....	71

© Copyright 2010, Alliance Laundry Systems LLC

All rights reserved. No part of the contents of this book may be reproduced or transmitted in any form or by any means without the expressed written consent of the publisher.

## Parts Ordering Information

If literature or replacement parts are required, contact the source from whom the machine was purchased or contact Alliance Laundry Systems at (920) 748-3950 for the name and address of the nearest authorized parts distributor.

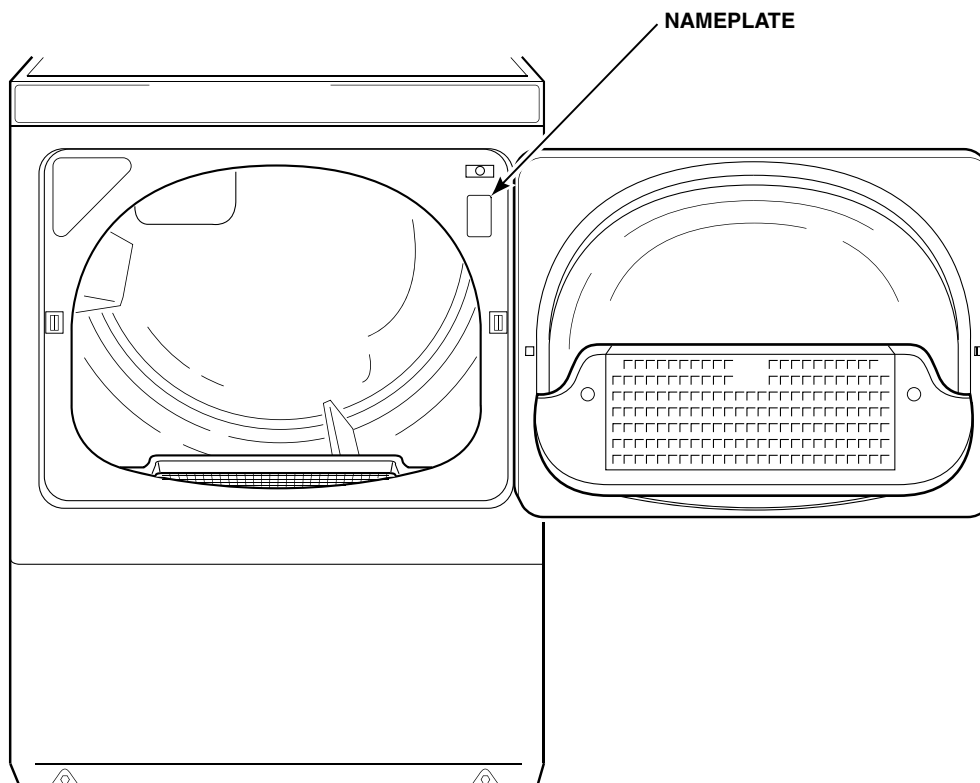
For technical assistance, call either of the numbers listed below:

(920) 748-3121 Ripon, Wisconsin

+32 56 41 20 54 Wevelgem, Belgium

## Nameplate Location

When calling or writing about your product, be sure to mention model and serial numbers. Model and serial numbers are located on nameplate(s) as shown.



D412P\_506054

## Model Identification

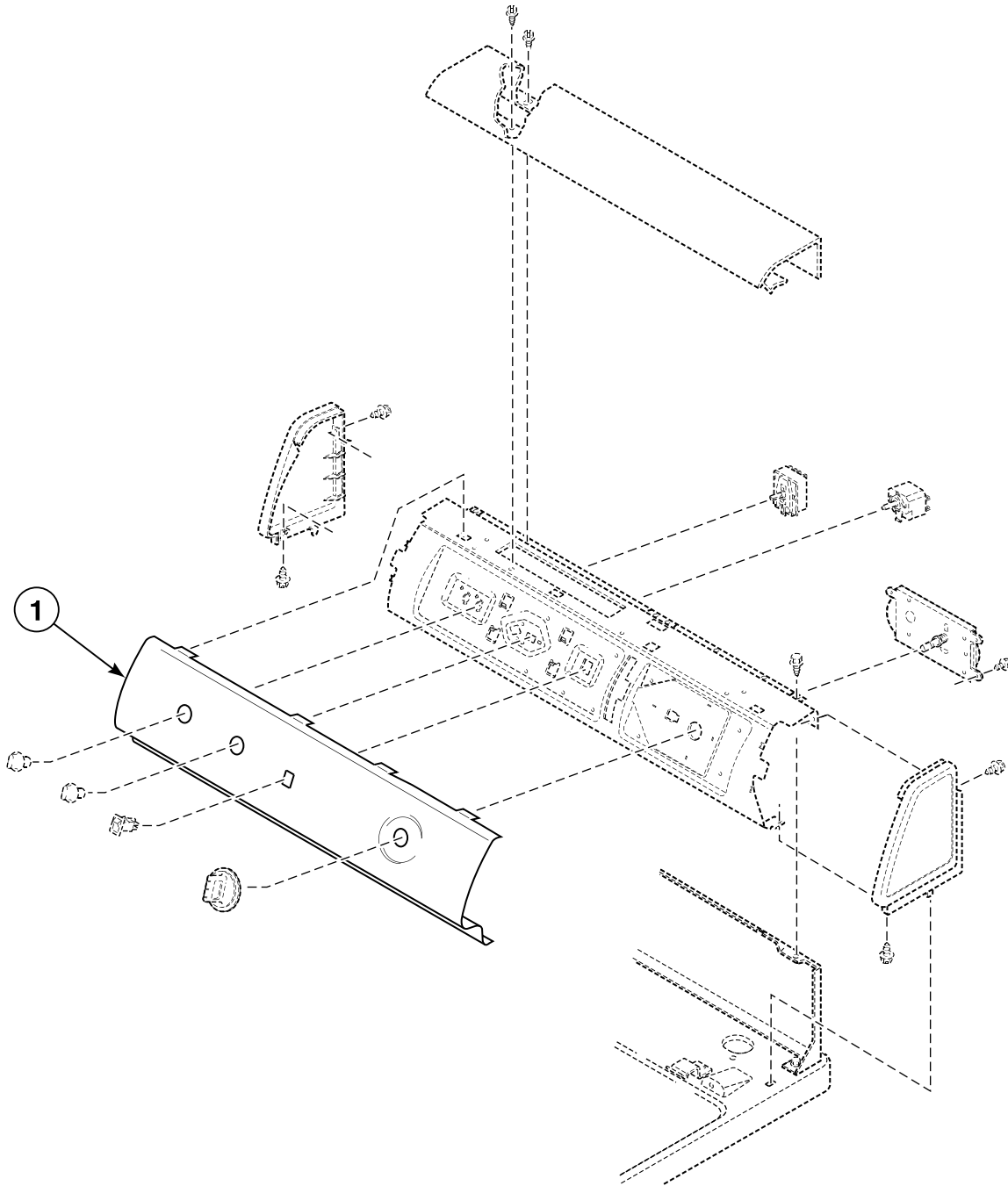
Information in this manual is applicable to these dryer models:

ADE3TFWS431AW01	LEB07A*F1709	LEZ27A*F1702	LGS38A*M3013
ADE3TRWS431AW01	LED17A*F1700	LEZ27A*G3018	LGS38A*M3020
ADE32FSS431AN01	LEG37A*F4350	LEZ27A*G4018	LGS40A*M3020
ADE32FSS541RN01	LEH37A*F3300	LEZ37A*F1702	LGT57A*F1100
ADG3TFWS301AW01	LEK37A*F4350	LEZ37A*F3000	LGT68A*F1100
ADG3TRWS301AW01	LEN27A*G3008	LEZ37A*G3018	LGY47A*F1109
ADG32FSS301AN01	LEN27A*G3018	LEZ37A*G4018	LGZ27A*F1102
AEZ17A*F1702	LEN27A*G4008	LEZ37A*G5618	LGZ27A*M3013
AEZ28A*F1702	LEN27A*G4018	LEZ57A*F1702	LGZ37A*F1102
AEZ68A*F1702	LEN27A*G99M3	LEZ67A*F1702	LGZ37A*F3000
AGZ17A*F1102	LEN37A*G3018	LGG37A*F3058	LGZ37A*G3013
AGZ28A*F1102	LEN37A*G4018	LGH37A*F1182	LGZ37A*M3013
AGZ68A*F1102	LES17A*F3000	LGK37A*F3058	LGZ57A*F1102
BDE30FGS171CW01	LES17A*F3022	LGK37A*F3060	LGZ67A*F1102
BDG30FGS111CW01	LES17A*F4500	LGN27A*M3008	ZDE30RGS171CW01
CDE3LRGS171CW01	LES17A*M4588	LGN27A*M3013	ZDE3LRGS171CW01
CDE4BFGS171CW01	LES27A*G3018	LGN37A*M3013	ZDE41FSS171CN01
CDG3LRGS111CW01	LES27A*G4000	LGS17A*F3020	ZDE4BFGS171CW01
CDG4BFGS111CW01	LES27A*G4500	LGS17A*F3081	ZDE4BRGS171CW01
CEZ68A*F1702	LES27A*G4518	LGS17A*K1180	ZDG30RGS111CW01
CGZ68A*F1102	LES27A*G4018	LGS17A*M3020	ZDG3LRGS111CW01
FEN16A*G4018	LES28A*G4018	LGS17A*M3082	ZDG41FSS111CN01
FEN17A*G3018	LES33A*F4562	LGS27A*M3013	ZDG4BFGS111CW01
FEN17A*G4018	LES37A*F3000	LGS27A*M3080	ZDG4BRGS111CW01
FES16A*G4018	LES37A*F3028	LGS37A*F3000	
FES17A*F3300	LES37A*F3300	LGS37A*F3022	
FES17A*F4350	LES37A*F3327	LGS37A*F3028	
FEZ17A*F1702	LES37A*F4350	LGS37A*F3058	
FGN16A*M3013	LES37A*F5412	LGS37A*F3060	
FGN17A*M3013	LES37A*G3018	LGS37A*F3080	
FGS17A*F3060	LES37A*G4018	LGS37A*F5412	
FGZ17A*F1102	LET57A*F1700	LGS37A*F5423	
	LET67A*F1700	LGS37A*G3013	
	LET68A*F1700	LGS37A*G3080	
	LEY47A*F1709	LGS37A*M3013	
		LGS37A*M3080	

\* Add Letter To Designate Color. G - Gray L - Almond Q - Bisque W - White

# Graphic Panel - Rear Control Models

All Models Except ADE3TFWS431AW01, ADE32FSS431AN01, ADE32FSS541RN01, ADG3TFWS301AW01, ADG32FSS301AN01, BDE30FGS171CW01, BDG30FGS111CW01, CDE4BFGS171CW01, CDG4BFGS111CW01, CEZ68A\*F1702, CGZ68A\*F1102, FEN16A\*G4018, FEN17A\*G3018, FEN17A\*G4018, FES16A\*G4018, FES17A\*F3300, FES17A\*F4350, FEZ17A\*F1702, FGN16A\*M3013, FGN17A\*M3013, FGS17A\*F3060, FGZ17A\*F1102, ZDE41FSS171CN01, ZDE4BFGS171CW01, ZDG41FSS111CN01 and ZDG4BFGS111CW01



DRY1868P\_506054

## Graphic Panel - Rear Control Models

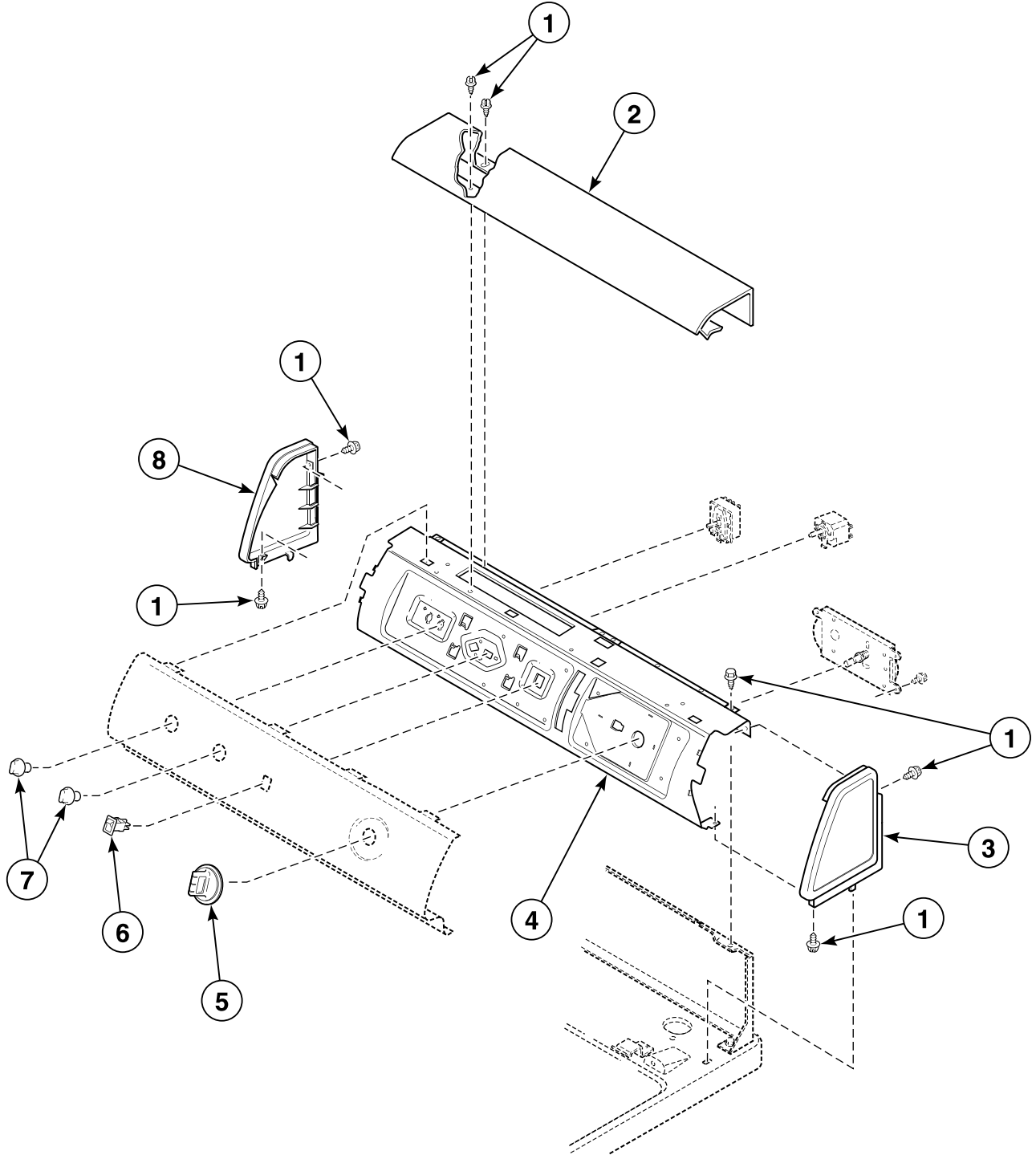
REF	PART NO.	DESCRIPTION	COMMENTS
1	503394	Graphic Panel	Model LES33A*F4562
	504020W	Graphic Panel	Models LES37A*F3000, LES37A*F3300, LES37A*F3327, LES37A*F4350, LES37A*F5412, LGS37A*F3000, LGS37A*F3022, LGS37A*F3058, LGS37A*F3060, LGS37A*F3080, LGS37A*F5412 and LGS37A*F5423
	504072WP	Graphic Panel	White; Models LEZ37A*F3000 and LGZ37A*F3000
	504072QP	Graphic Panel	Bisque; Models LEZ37A*F3000 and LGZ37A*F3000
	504107W	Graphic Panel	Models LEZ27A*G3018, LEZ27A*G4018, LEZ37A*G3018, LEZ37A*G4018, LEZ37A*G5618, LGZ27A*M3013, LGZ37A*G3013 and LGZ37A*M3013
	504197W	Graphic Panel	White; Models LES17A*F3000, LES17A*F3022, LES17A*F4500, LES17A*M4588, LGS17A*F3020, LGS17A*F3081, LGS17A*M3020 and LGS17A*M3082
	504197Q	Graphic Panel	Bisque; Models LES17A*F3000, LES17A*F3022, LES17A*F4500, LES17A*M4588, LGS17A*F3020, LGS17A*F3081, LGS17A*M3020 and LGS17A*M3082
	505157WP	Graphic Panel	Model LGK37A*F3058
	505850	Graphic Panel	Models LEH37A*F3300 and LGH37A*F1182
	505911	Graphic Panel	Models LEZ67A*F1702 and LGZ67A*F1102
	505912	Graphic Panel	Models LEZ57A*F1702 and LGZ57A*F1102
	505913	Graphic Panel	Models LEZ27A*F1702, LEZ37A*F1702, LGZ27A*F1102 and LGZ37A*F1102
	N/A	Graphic Panel	Model LGS17A*K1180 through Serial No. 0503001144; Models LEB07A*F1709, LEG37A*F4350, LET67A*F1700, LEY47A*F1709, LGG37A*F3058 and LGY47A*F1109
	512622W	Graphic Panel	Model LGS17A*K1180 starting Serial No. 0503001145
	511437	Graphic Panel	Models LEN27A*G3008, LEN27A*G4008, LEN27A*G99M3 and LGN27A*M3008
	511639	Graphic Panel	Model LED17A*F1700 through Serial No. 0701
	512168W	Graphic Panel	Model LED17A*F1700 starting Serial No. 0702
	511882	Graphic Panel	Models LET57A*F1700, LET68A*F1700, LGT57A*F1100 and LGT68A*F1100
	511902W	Graphic Panel	Models LEK37A*F4350 and LGK37A*F3060
	512166W	Graphic Panel	Models AEZ17A*F1702 and AGZ17A*F1102
	512167W	Graphic Panel	Models AEZ68A*F1702 and AGZ68A*F1102
	512370	Graphic Panel	Models LEN27A*G3018, LEN27A*G4018, LEN37A*G3018, LEN37A*G4018, LGN27A*M3013 and LGN37A*M3013
	512752W	Graphic Panel	Models AEZ28A*F1702 and AGZ28A*F1102
	511914W	Graphic Panel	Models CDE3LRGS171CW01 and CDG3LRGS111CW01
	513016W	Graphic Panel	Models ZDE30RGS171CW01 and ZDG30RGS111CW01
	513017W	Graphic Panel	Models ZDE3LRGS171CW01 and ZDG3LRGS111CW01
	513018W	Graphic Panel	Models ZDE4BRGS171CW01 and ZDG4BRGS111CW01
	513244W	Graphic Panel	Models ADE3TRWS431AW01 and ADG3TRWS301AW01
	504070W	Graphic Panel	All other models

\* Add Letter To Designate Color. G - Gray L - Almond Q - Bisque W - White

N/A = Part no longer available

# Control Panel and Knobs - Rear Control Models

All Models Except ADE3TFWS431AW01, ADE32FSS431AN01, ADE32FSS541RN01, ADG3TFWS301AW01, ADG32FSS301AN01, BDE30FGS171CW01, BDG30FGS111CW01, CDE4BFGS171CW01, CDG4BFGS111CW01, CEZ68A\*F1702, CGZ68A\*F1102, FEN16A\*G4018, FEN17A\*G3018, FEN17A\*G4018, FES16A\*G4018, FES17A\*F3300, FES17A\*F4350, FEZ17A\*F1702, FGN16A\*M3013, FGN17A\*M3013, FGS17A\*F3060, FGZ17A\*F1102, ZDE41FSS171CN01, ZDE4BFGS171CW01, ZDG41FSS111CN01 and ZDG4BFGS111CW01



DRY1858P\_506054



## Control Panel and Knobs - Rear Control Models

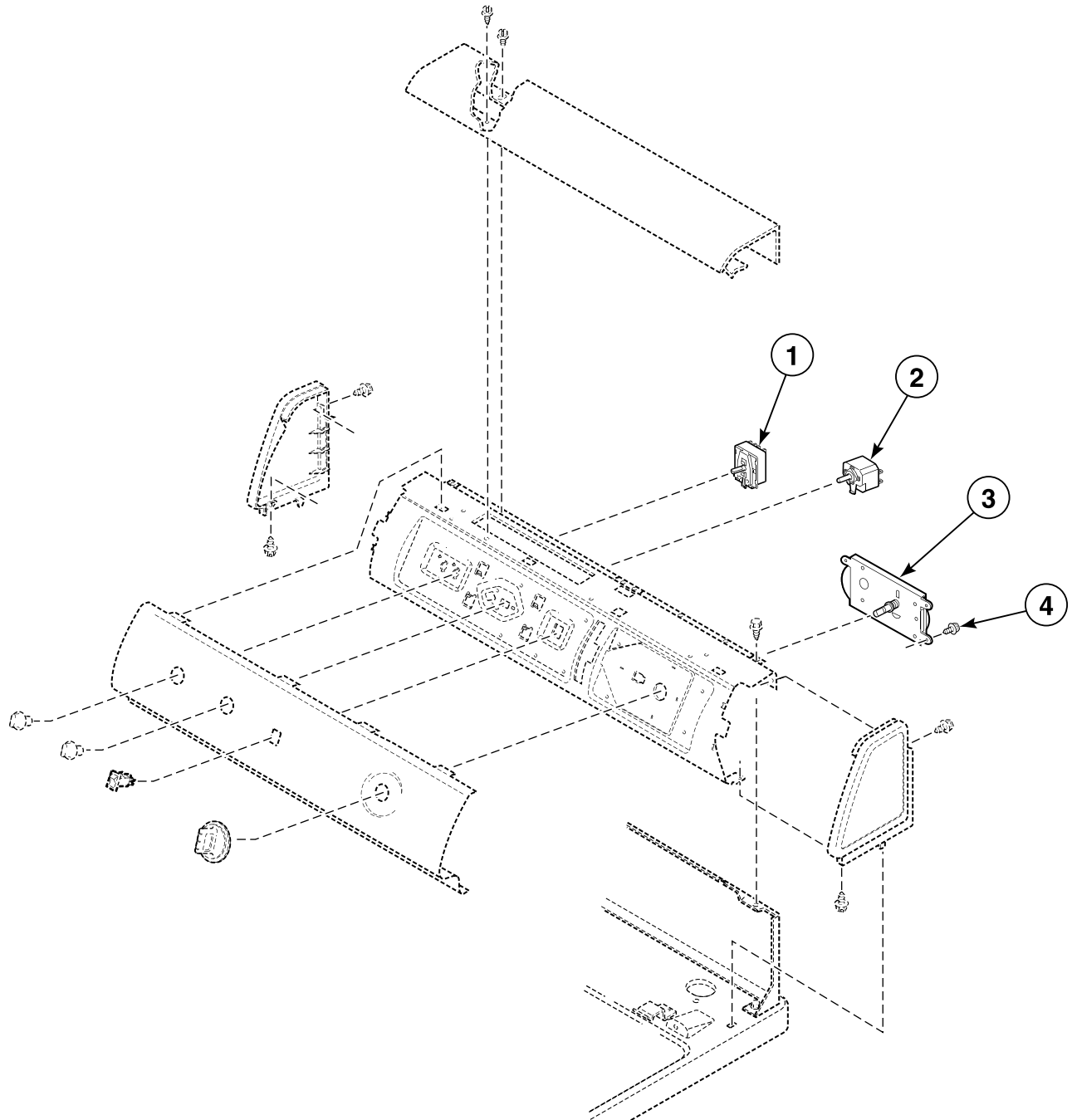
REF	PART NO.	DESCRIPTION	COMMENTS
	511148	Wire Assembly	Extra tumble; Use with item 6; Models AEZ68A*F1702, AGZ68A*F1102, ZDE4BRGS171CW01 and ZDG4BRGS111CW01
<b>1</b>	501086	Screw	
<b>2</b>	505808W	Top Cover	White
	505808G	Top Cover	Gray
	N/A	Top Cover	Almond
	505808Q	Top Cover	Bisque
<b>3</b>	504006P	End Panel	Right; Black; Models LEN27A*G3008, LEN27A*G4008, LEN27A*G99M3 and LGN27A*M3008
	504008WP	End Panel	White; Right; All other models
	504008L	End Panel	Almond; Right; All other models
	504008QP	End Panel	Bisque; Right; All other models
<b>4</b>	503901	Control Support Panel	
<b>5</b>	512118	Timer Knob Assembly	Black; Models LEN27A*G3008, LEN27A*G4008, LEN27A*G99M3 and LGN27A*M3008
	803168P	Knob Assembly	Models ADE3TRWS431AW01, ADG3TRWS301AW01, ZDE30RGS171CW01, ZDE3LRGS171CW01, ZDE4BRGS171CW01, ZDG30RGS111CW01, ZDG3LRGS111CW01 and ZDG4BRGS111CW01
	512117W	Timer Knob Assembly	White; All other models
	512117Q	Timer Knob Assembly	Bisque; All other models
<b>6</b>	38424W	Rocker Switch	White; Models AEZ68A*F1702, AGZ68A*F1102, LET57A*F1700, LET67A*F1700, LET68A*F1700, LEZ57A*F1702, LEZ67A*F1702, LGT57A*F1100, LGT68A*F1100, LGZ57A*F1102, LGZ67A*F1102, ZDE4BRGS171CW01 and ZDG4BRGS111CW01
	38424L	Rocker Switch	Almond; Models AEZ68A*F1702, AGZ68A*F1102, LET57A*F1700, LET67A*F1700, LET68A*F1700, LEZ57A*F1702, LEZ67A*F1702, LGT57A*F1100, LGT68A*F1100, LGZ57A*F1102 and LGZ67A*F1102
	38424Q	Rocker Switch	Bisque; Models AEZ68A*F1702, AGZ68A*F1102, LET57A*F1700, LET67A*F1700, LET68A*F1700, LEZ57A*F1702, LEZ67A*F1702, LGT57A*F1100, LGT68A*F1100, LGZ57A*F1102 and LGZ67A*F1102
<b>7</b>	511439	Knob Assembly	Black; Models LEN27A*G3008, LEN27A*G4008, LEN27A*G99M3 and LGN27A*M3008
	803119	Control Knob Assembly	Models ADE3TRWS431AW01, ADG3TRWS301AW01, ZDE30RGS171CW01, ZDE3LRGS171CW01, ZDE4BRGS171CW01, ZDG30RGS111CW01, ZDG3LRGS111CW01 and ZDG4BRGS111CW01
	36701W	Knob Assembly	White; All other models
	36701L	Knob Assembly	Almond; All other models
	36701Q	Knob Assembly	Bisque; All other models
<b>8</b>	504007P	End Panel	Left; Black; Models LEN27A*G3008, LEN27A*G4008, LEN27A*G99M3 and LGN27A*M3008
	504009WP	End Panel	White; Left; All other models
	N/A	End Panel	Almond; Left; All other models
	504009QP	End Panel	Bisque; Left; All other models

\* Add Letter To Designate Color. G - Gray L - Almond Q - Bisque W - White

N/A = Part no longer available

## Controls - Rear Control Models

All Models Except ADE3TFWS431AW01, ADE32FSS431AN01, ADE32FSS541RN01, ADG3TFWS301AW01, ADG32FSS301AN01, BDE30FGS171CW01, BDG30FGS111CW01, CDE4BFGS171CW01, CDG4BFGS111CW01, CEZ68A\*F1702, CGZ68A\*F1102, FEN16A\*G4018, FEN17A\*G3018, FEN17A\*G4018, FES16A\*G4018, FES17A\*F3300, FES17A\*F4350, FEZ17A\*F1702, FGN16A\*M3013, FGN17A\*M3013, FGS17A\*F3060, FGZ17A\*F1102, ZDE41FSS171CN01, ZDE4BFGS171CW01, ZDG41FSS111CN01 and ZDG4BFGS111CW01



DRY1858PA\_506054

## Controls - Rear Control Models

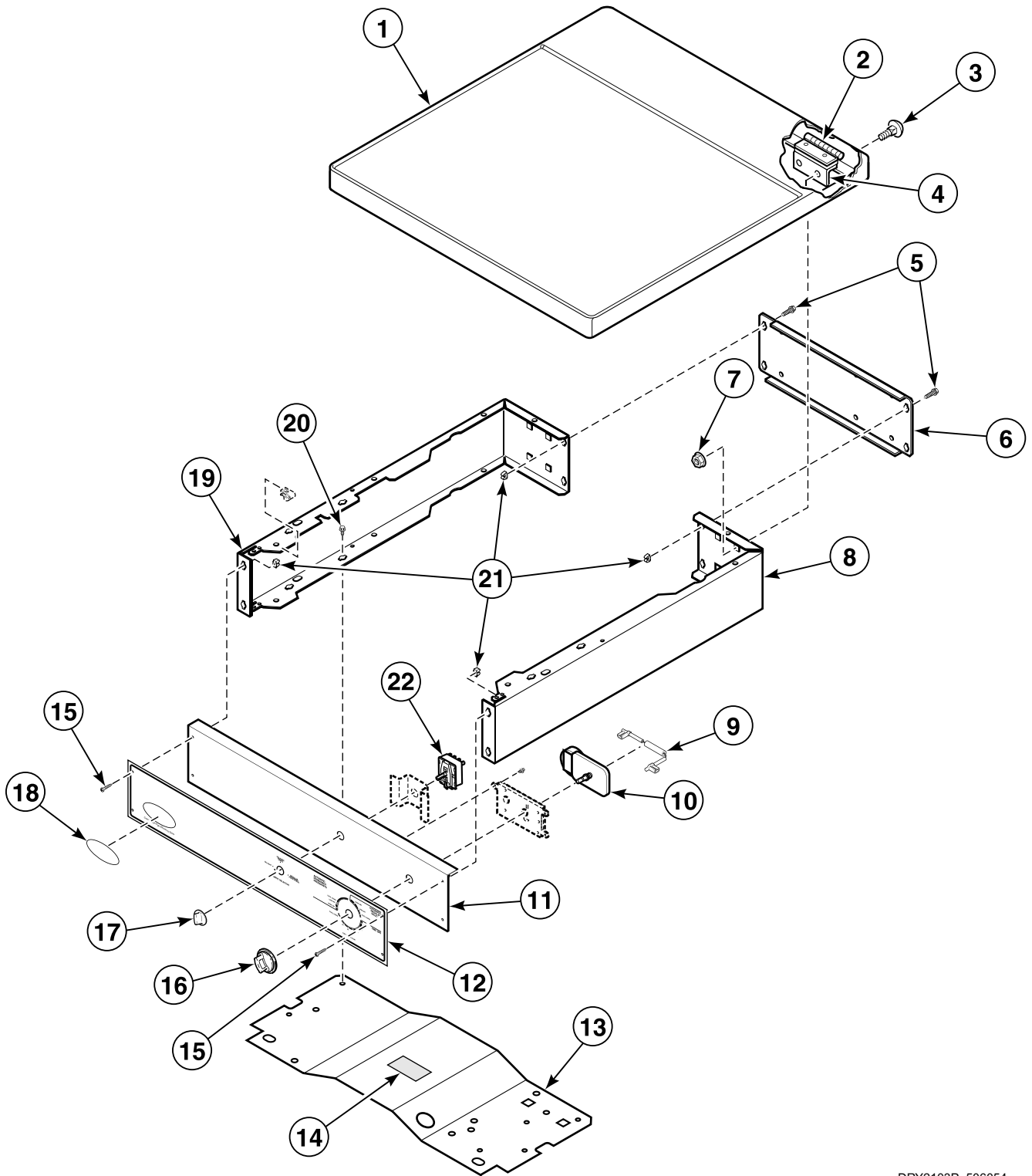
REF	PART NO.	DESCRIPTION	COMMENTS
1	503998	Fabric Selector Switch	Model LES33A*F4562
	511492	Fabric Selector Switch	Models AEZ68A*F1702, AGZ68A*F1102, LET57A*F1700, LET67A*F1700, LET68A*F1700, LEY47A*F1709, LEZ57A*F1702, LEZ67A*F1702, LGT57A*F1100, LGT68A*F1100, LGY47A*F1109, LGZ57A*F1102, LGZ67A*F1102, ZDE4BRGS171CW01 and ZDG4BRGS111CW01
	510212	Fabric Selector Switch	All other models
2	510211	Buzzer	Models AEZ68A*F1702, AGZ68A*F1102, LET57A*F1700, LET67A*F1700, LET68A*F1700, LEY47A*F1709, LEZ27A*F1702, LEZ37A*F1702, LEZ57A*F1702, LEZ67A*F1702, LGH37A*F1182, LGT57A*F1100, LGT68A*F1100, LGY47A*F1109, LGZ27A*F1102, LGZ37A*F1102, LGZ57A*F1102, LGZ67A*F1102, ZDE4BRGS171CW01 and ZDG4BRGS111CW01
	504103	Adjustable Buzzer	All models except AEZ17A*F1702, AEZ28A*F1702, AEZ68A*F1702, AGZ17A*F1102, AGZ28A*F1102, AGZ68A*F1102, CDE3LRGS171CW01, CDG3LRGS111CW01, LEB07A*F1709, LED17A*F1700, LES17A*F3000, LES17A*F3022, LES17A*F4500, LES17A*M4588, LET57A*F1700, LET67A*F1700, LET68A*F1700, LEY47A*F1709, LEZ27A*F1702, LEZ37A*F1702, LEZ57A*F1702, LEZ67A*F1702, LGH37A*F1182, LGS17A*F3020, LGS17A*F3081, LGS17A*K1180, LGS17A*M3020, LGS17A*M3082, LGS37A*G3013, LGS37A*G3080, LGT57A*F1100, LGT68A*F1100, LGY47A*F1109, LGZ27A*F1102, LGZ37A*F1102, LGZ37A*G3013, LGZ57A*F1102, LGZ67A*F1102, ZDE30RGS171CW01, ZDE3LRGS171CW01, ZDE4BRGS171CW01, ZDG30RGS111CW01, ZDG3LRGS111CW01 and ZDG4BRGS111CW01
	505447	Adjustable Buzzer	Models LGS37A*G3013, LGS37A*G3080 and LGZ37A*G3013
3	502966P	Timer	Models LGS37A*G3013, LGS37A*G3080 and LGZ37A*G3013
	505795P	Timer	Models LES17A*F3000, LES17A*F3022, LES17A*F4500, LES17A*M4588, LES37A*F3000, LES37A*F4350, LEZ37A*F3000, LGS17A*F3020, LGS17A*F3081, LGS17A*M3020, LGS17A*M3082, LGS37A*F3000, LGS37A*F3022, LGS37A*F3058, LGS37A*F3060, LGS37A*F3080 and LGZ37A*F3000
	505796P	Timer	Models LEH37A*F3300, LES37A*F3300, LES37A*F3327, LES37A*F5412, LGS37A*F5412 and LGS37A*F5423
	505797P	Timer and Harness Kit	Models AEZ17A*F1702, AEZ28A*F1702, CDE3LRGS171CW01, LED17A*F1700, LEZ27A*F1702, LEZ37A*F1702, ZDE30RGS171CW01 and ZDE3LRGS171CW01
	505794P	Timer	Models AGZ17A*F1102, AGZ28A*F1102, CDG3LRGS111CW01, LGH37A*F1182, LGS17A*K1180, LGZ27A*F1102, LGZ37A*F1102, ZDG30RGS111CW01 and ZDG3LRGS111CW01
	511149P	Timer	Models AGZ68A*F1102, LGT57A*F1100, LGT68A*F1100, LGZ57A*F1102, LGZ67A*F1102 and ZDG4BRGS111CW01
	511150P	Timer	Models AEZ68A*F1702, LET57A*F1700, LET67A*F1700, LET68A*F1700, LEZ57A*F1702, LEZ67A*F1702 and ZDE4BRGS171CW01
	N/A	Timer and Harness Kit	Model LEB07A*F1709
	N/A	Timer	Models LEY47A*F1709 and LGY47A*F1109
	502964P	Timer	All other models
4	501086	Screw	

\* Add Letter To Designate Color. G - Gray L - Almond Q - Bisque W - White

N/A = Part no longer available

# Control Cabinet - Front Control Models

Models BDE30FGS171CW01, BDG30FGS111CW01, FEN16A\*G4018, FEN17A\*G3018, FEN17A\*G4018, FES16A\*G4018, FES17A\*F3300, FES17A\*F4350, FEZ17A\*F1702, FGN16A\*M3013, FGN17A\*M3013, FGS17A\*F3060 and FGZ17A\*F1102



DRY2103P\_506054

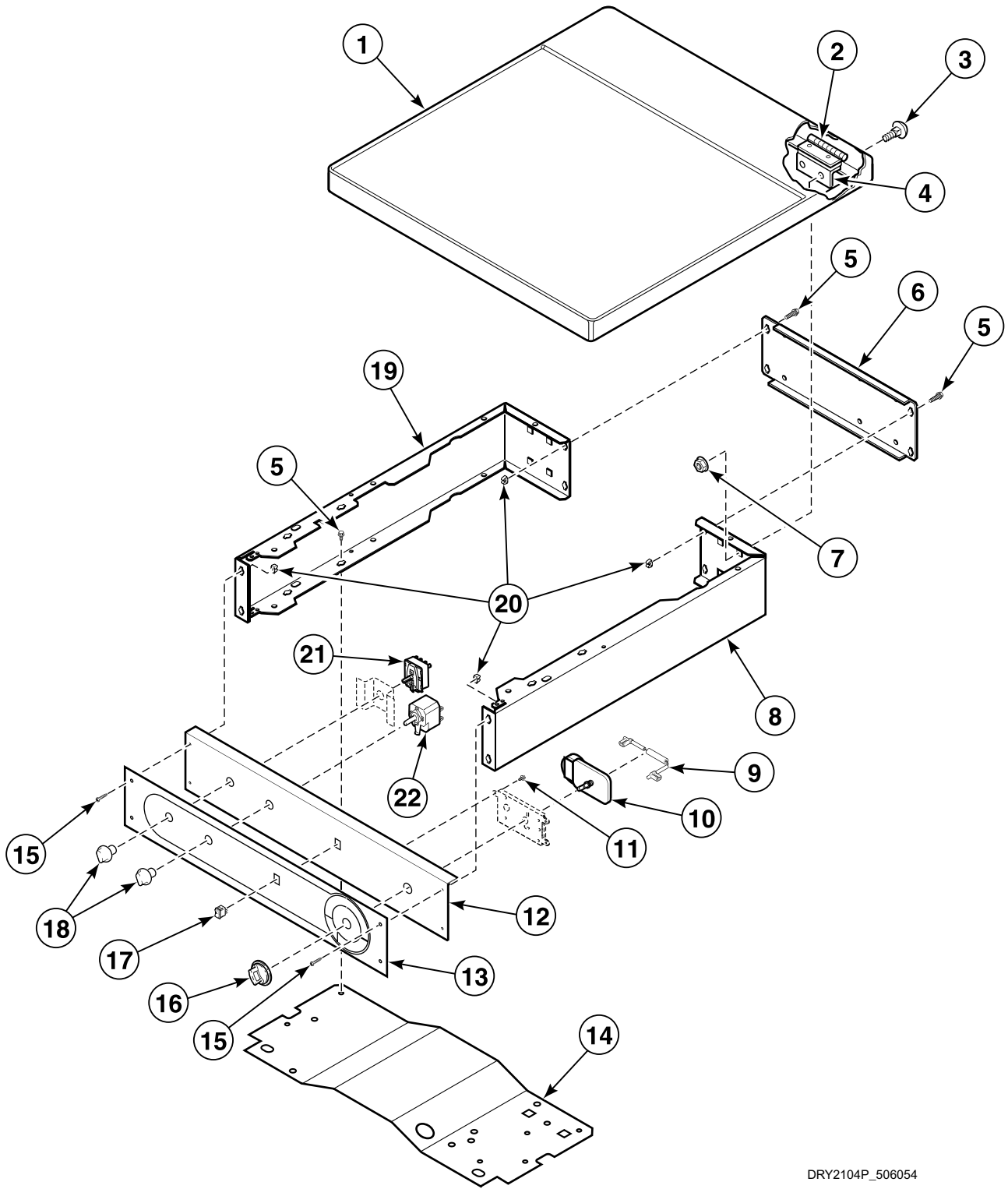
## Control Cabinet - Front Control Models

REF	PART NO.	DESCRIPTION	COMMENTS
1	511631P	Stainless Steel Top	Models FEN16A*G4018, FES16A*G4018 and FGN16A*M3013
	802247LP	Top and Gusset Assembly	Almond; All other models
	802247QP	Top and Gusset Assembly	Bisque; All other models
	802247WP	Top and Gusset Assembly	White; All other models
2	511036	Hinge	
3	29651	Bolt	4 required
4	504228	Top Mounting Bracket	
5	503688	Screw	
6	801058	Rear Control Cabinet	
7	44087201	Nut	
8	800915W	Right Control Cabinet Side	White
	800915L	Right Control Cabinet Side	Almond
	800915Q	Right Control Cabinet Side	Bisque
9	511277	Resistor Assembly	Models BDE30FGS171CW01, FEN16A*G4018 and FEZ17A*F1702
10	502964P	Timer	Models FEN16A*G4018, FEN17A*G3018, FEN17A*G4018, FES16A*G4018, FGN16A*M3013 and FGN17A*M3013
	505794P	Timer	Models BDG30FGS111CW01 and FGZ17A*F1102
	505795P	Timer	Models FES17A*F4350 and FGS17A*F3060
	505796P	Timer	Model FES17A*F3300
	505797P	Timer and Harness Kit	Models BDE30FGS171CW01 and FEZ17A*F1702
11	511421W	Control Panel Assembly	
12	511656	Graphic Overlay	Models FEN16A*G4018, FEN17A*G3018, FEN17A*G4018, FES16A*G4018, FGN16A*M3013 and FGN17A*M3013
	511406	Graphic Overlay	All other models
13	801777	Control Cabinet Bottom	
14	505281	Disconnect Power Warning Label	Model FGS17A*F3060
	502511	Electrical Shock Label	Models FGN16A*M3013 and FGN17A*M3013
15	800930	Screw	4 required
16	512117W	Timer Knob Assembly	White
	512117Q	Timer Knob Assembly	Bisque
17	36701W	Knob Assembly	White
	36701L	Knob Assembly	Almond
	36701Q	Knob Assembly	Bisque
18	202128	Domed Label	Models BDE30FGS171CW01 and BDG30FGS111CW01
	800921	Domed Label	Models FES16A*G4018, FES17A*F3300, FES17A*F4350 and FGS17A*F3060
	800922	Domed Label	Models FEZ17A*F1702 and FGZ17A*F1102
19	800900WP	Left Control Cabinet Side	White
	800900LP	Left Control Cabinet Side	Almond
	800900QP	Left Control Cabinet Side	Bisque
20	70240301	Screw	8 required
21	70030501	Expansion Clip	12 required
22	510212	Fabric Selector Switch	

\* Add Letter To Designate Color. L - Almond Q - Bisque W - White

# Control Panel and Controls - Front Control

Models ADE3TFWS431AW01, ADG3TFWS301AW01, CDE4BFGS171CW01, CDG4BFGS111CW01, CEZ68A\*F1702, CGZ68A\*F1102, ZDE4BFGS171CW01 and ZDG4BFGS111CW01



DRY2104P\_506054

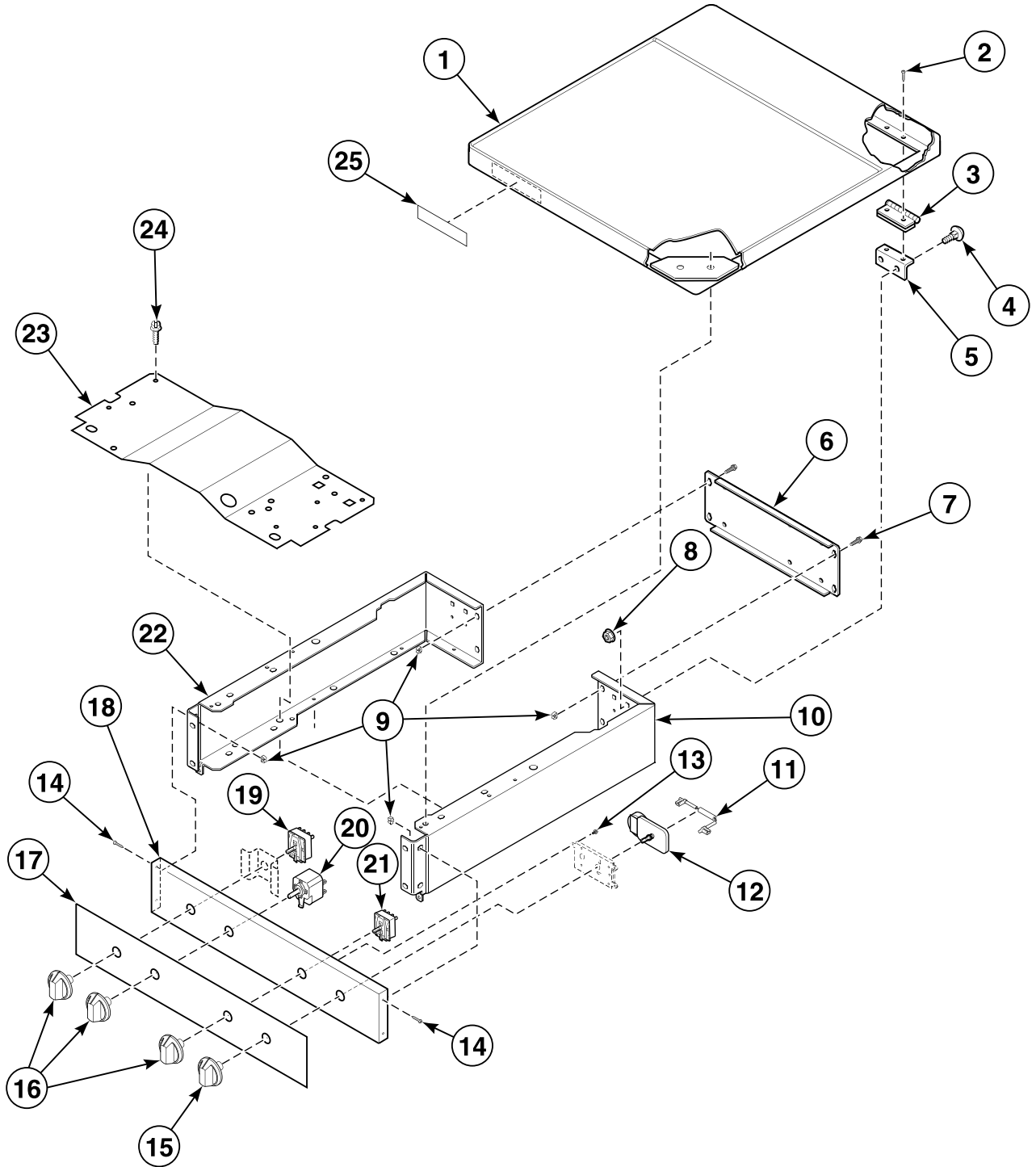
## Control Panel and Controls - Front Control

REF	PART NO.	DESCRIPTION	COMMENTS
1	802247WP	Top and Gusset Assembly	White
	802247QP	Top and Gusset Assembly	Bisque
2	511036	Hinge	
3	29651	Bolt	4 required
4	504228	Top Mounting Bracket	
5	70240301	Screw	8 required
6	801058	Rear Control Cabinet	
7	29796	Nut	4 required
8	800915W	Right Control Cabinet Side	White
	800915Q	Right Control Cabinet Side	Bisque
9	511277	Resistor Assembly	Use with 511150 4 Cycle Timer; Models CDE4BFGS171CW01, CEZ68A*F1702 and ZDE4BFGS171CW01
10	502964P	Timer	Models ADE3TFWS431AW01 and ADG3TFWS301AW01
	511149P	Timer	Models CDG4BFGS111CW01, CGZ68A*F1102 and ZDG4BFGS111CW01
	511150P	Timer	Models CDE4BFGS171CW01, CEZ68A*F1702 and ZDE4BFGS171CW01
11	501086	Screw	
12	512067W	Control Panel Assembly	
13	513245	Graphic Overlay	Models ADE3TFWS431AW01 and ADG3TFWS301AW01
	512751	Graphic Overlay	Models CEZ68A*F1702 and CGZ68A*F1102
	511913	Graphic Overlay	Models CDE4BFGS171CW01 and CDG4BFGS111CW01
	513019	Graphic Overlay	Models ZDE4BFGS171CW01 and ZDG4BFGS111CW01
14	801777	Control Cabinet Bottom	
15	800930	Screw	4 required
16	803118P	Timer Knob Assembly	Models ADE3TFWS431AW01, ADG3TFWS301AW01, ZDE4BFGS171CW01 and ZDG4BFGS111CW01
	512117W	Timer Knob Assembly	White; All other models
	512117Q	Timer Knob Assembly	Bisque; All other models
17	38424W	Rocker Switch	White; All models except ADE3TFWS431AW01 and ADG3TFWS301AW01
	38424Q	Rocker Switch	Bisque; All models except ADE3TFWS431AW01 and ADG3TFWS301AW01
18	803119	Control Knob Assembly	Models ADE3TFWS431AW01, ADG3TFWS301AW01, ZDE4BFGS171CW01 and ZDG4BFGS111CW01
	36701W	Knob Assembly	White; All other models
	36701Q	Knob Assembly	Bisque; All other models
19	800900WP	Left Control Cabinet Side	White
	800900QP	Left Control Cabinet Side	Bisque
20	70030501	Expansion Clip	12 required
21	510212	Fabric Selector Switch	
22	510211	Buzzer	

\* Add Letter To Designate Color. Q - Bisque W - White

# Control Cabinet and Controls

Models ADE32FSS431AN01, ADE32FSS541RN01, ADG32FSS301AN01,  
ZDE41FSS171CN01 and ZDG41FSS111CN01



DRY2152P\_506054

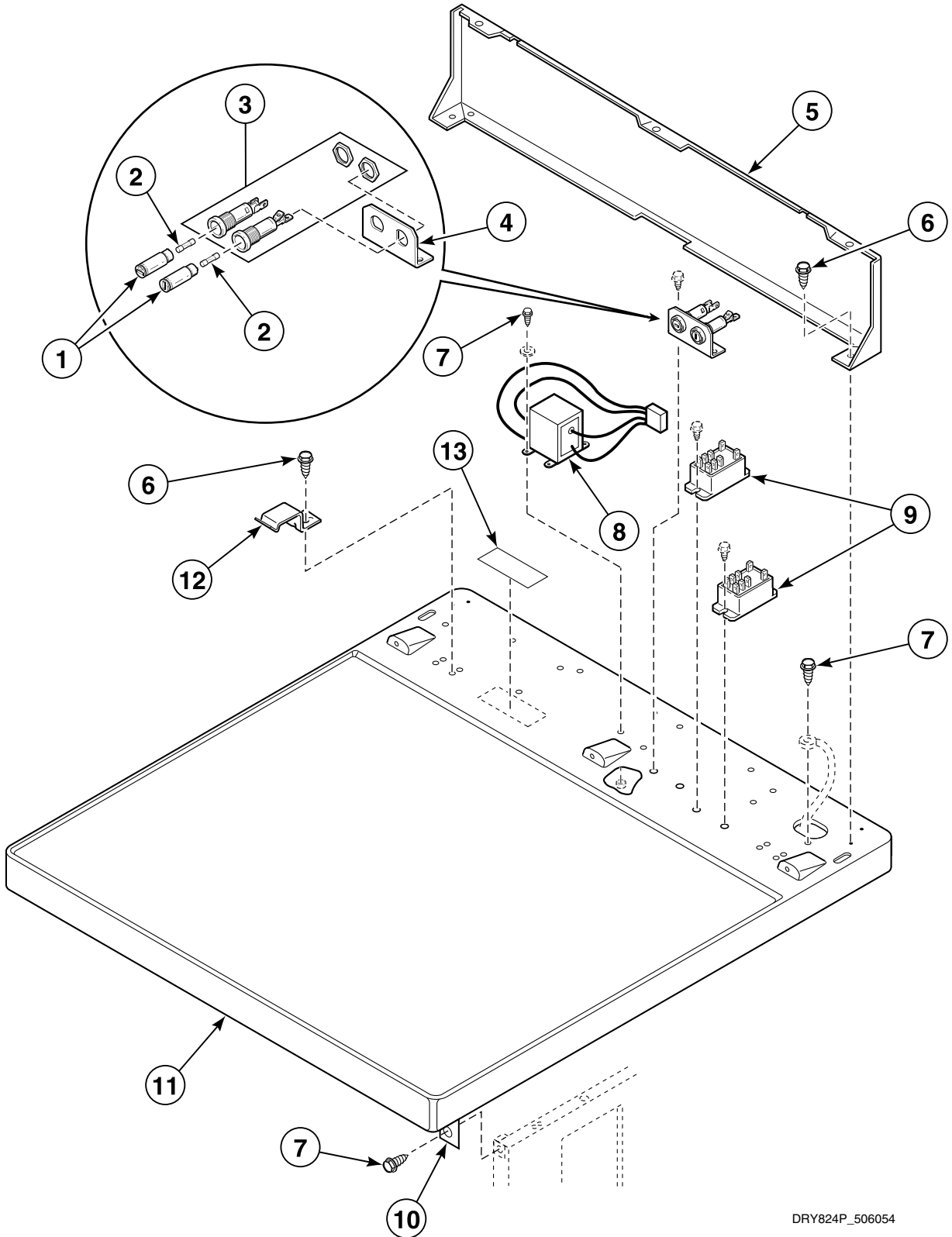


## Control Cabinet and Controls

REF	PART NO.	DESCRIPTION	COMMENTS
	513170P	Wire Assembly	Extra tumble
1	803144P	Top Kit	
2	685847	Pop Rivet	
3	511036	Hinge	
4	29651	Bolt	
5	504228	Top Mounting Bracket	
6	801058	Rear Control Cabinet	
7	70240301	Screw	
8	29796	Nut	
9	70030501	Expansion Clip	
10	803141	Control Cabinet	Right
11	511277	Resistor Assembly	Use with 511150 4 Cycle Timer; Model ZDE41FSS171CN01
12	505795P	Timer	Models ADE32FSS431AN01 and ADG32FSS301AN01
	505796P	Timer	Model ADE32FSS541RN01
	511149P	Timer	Model ZDG41FSS111CN01
	511150P	Timer	Model ZDE41FSS171CN01
13	501086	Screw	
14	F430956	Screw	
15	803098P	Timer Knob Assembly	
16	803099P	Control Knob Assembly	
17	513443	Panel	Models ADE32FSS431AN01, ADE32FSS541RN01 and ADG32FSS301AN01
	513093	Panel	All other models
18	513161	Control Panel Assembly	
19	511492	Fabric Selector Switch	
20	504103	Adjustable Buzzer	Models ADE32FSS431AN01, ADE32FSS541RN01 and ADG32FSS301AN01
	510211	Buzzer	All other models
21	803155	Selector Switch	Models ZDE41FSS171CN01 and ZDG41FSS111CN01
22	803142	Control Cabinet	Left
23	801777	Control Cabinet Bottom	
24	M405188	Screw	
25	803013	Badge	Models ADE32FSS431AN01, ADE32FSS541RN01 and ADG32FSS301AN01
	803101	Badge	All other models

# Cabinet Top and Control Hood Rear Panel - Rear Control Models

All Models Except ADE3TFWS431AW01, ADE32FSS431AN01, ADE32FSS541RN01, ADG3TFWS301AW01, ADG32FSS301AN01, BDE30FGS171CW01, BDG30FGS111CW01, CDE4BFGS171CW01, CDG4BFGS111CW01, CEZ68A\*F1702, CGZ68A\*F1102, FEN16A\*G4018, FEN17A\*G3018, FEN17A\*G4018, FES16A\*G4018, FES17A\*F3300, FES17A\*F4350, FEZ17A\*F1702, FGN16A\*M3013, FGN17A\*M3013, FGS17A\*F3060, FGZ17A\*F1102, ZDE41FSS171CN01, ZDE4BFGS171CW01, ZDG41FSS111CN01 and ZDG4BFGS111CW01



DRY824P\_506054

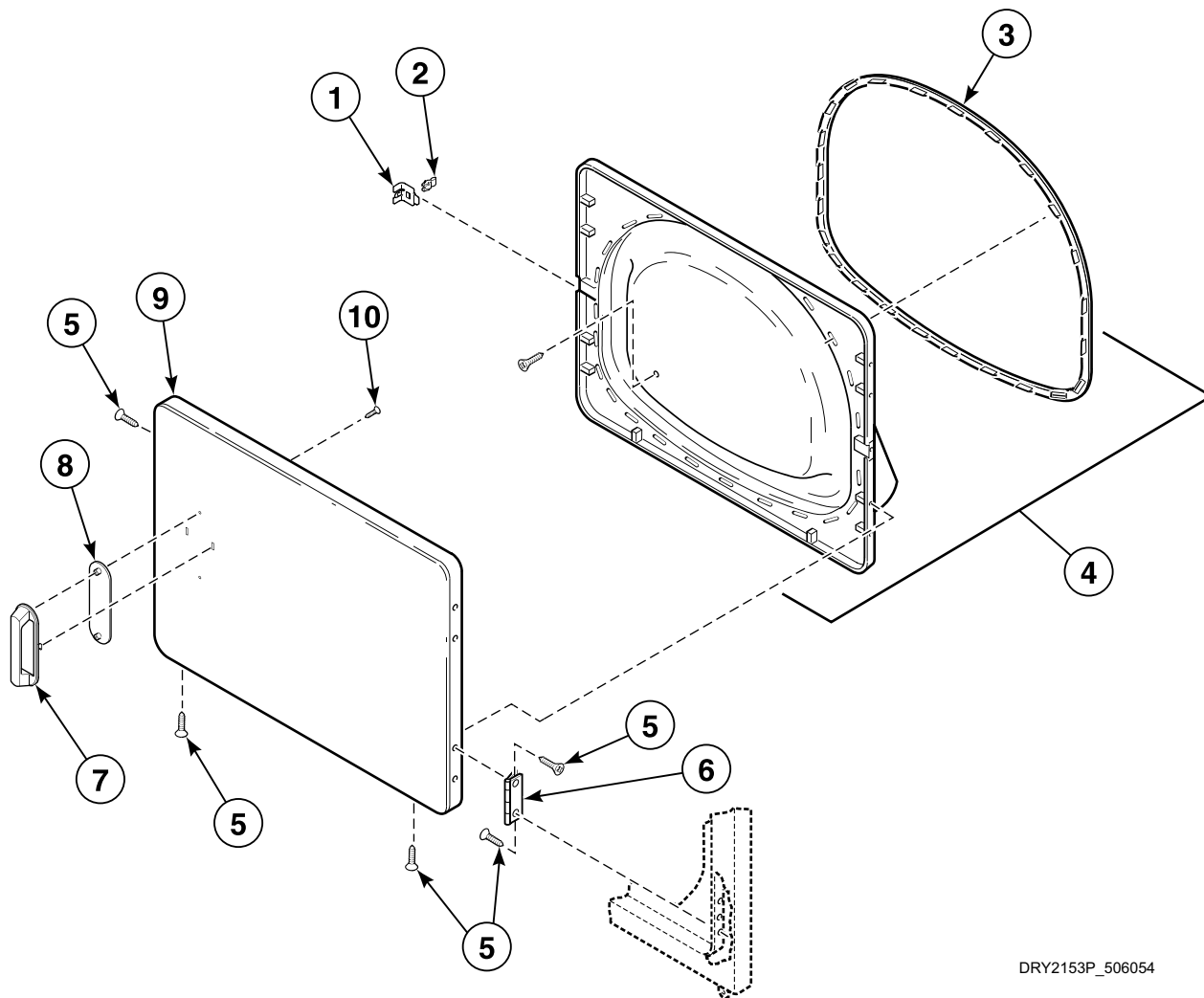
# Cabinet Top and Control Hood Rear Panel - Rear Control Models

REF	PART NO.	DESCRIPTION	COMMENTS
	511303	Wire Harness Assembly	Transformer adapter; Includes 502592 Fuse (3.15 Amp, 250 Volt); Models ADG3TRWS301AW01, LGK37A*F3060, LGN27A*M3008, LGN27A*M3013, LGN37A*M3013, LGS17A*M3020, LGS17A*M3082, LGS27A*M3013, LGS27A*M3080, LGS37A*F3022, LGS37A*F3060, LGS37A*F3080, LGS37A*F5412, LGS37A*F5423, LGS37A*M3013, LGS37A*M3080, LGS38A*M3013, LGS38A*M3020, LGS40A*M3020, LGZ27A*M3013 and LGZ37A*M3013
<b>1</b>	502811	Fuse Carrier	Models LGS37A*G3013, LGS37A*G3080 and LGZ37A*G3013
<b>2</b>	502593	Fuse	400 mA; 1 required; Models LGS37A*G3013, LGS37A*G3080 and LGZ37A*G3013
	502592	Fuse	3.15 Amp; 1 required; Models LGS37A*G3013, LGS37A*G3080 and LGZ37A*G3013
<b>3</b>	502591P	Fuse Holder Kit	Models LGS37A*G3013, LGS37A*G3080 and LGZ37A*G3013
<b>4</b>	502589	Fuse Holder Bracket	Models LGS37A*G3013, LGS37A*G3080 and LGZ37A*G3013
<b>5</b>	510099	Hood Back Panel	
<b>6</b>	501086	Screw	
<b>7</b>	503688	Screw	
<b>8</b>	511658P	Transformer Kit	Models ADG3TRWS301AW01, LGK37A*F3060, LGN27A*M3008, LGN27A*M3013, LGN37A*M3013, LGS17A*F3020, LGS17A*F3081, LGS17A*M3020, LGS17A*M3082, LGS27A*M3013, LGS27A*M3080, LGS37A*F3000, LGS37A*F3022, LGS37A*F3028, LGS37A*F3060, LGS37A*F3080, LGS37A*F5412, LGS37A*F5423, LGS37A*G3013, LGS37A*G3080, LGS37A*M3013, LGS37A*M3080, LGS38A*M3013, LGS38A*M3020, LGS40A*M3020, LGZ27A*M3013, LGZ37A*F3000, LGZ37A*G3013 and LGZ37A*M3013
<b>9</b>	502501	Relay	
<b>10</b>	510146	Bracket	
<b>11</b>	510029WP	Top Panel Kit	White; Includes 2 of item 7
	510029G	Top Panel	Gray
	510029LP	Top Panel Kit	Almond; Includes 2 of item 7
<b>12</b>	35358	Hold-Down Clip	
<b>13</b>	505281	Disconnect Power Warning Label	

\* Add Letter To Designate Color. G - Gray L - Almond Q - Bisque W - White

# Loading Door (Drawing 1 of 2)

Models ADE32FSS431AN01, ADE32FSS541RN01, ADG32FSS301AN01,  
ZDE41FSS171CN01 and ZDG41FSS111CN01



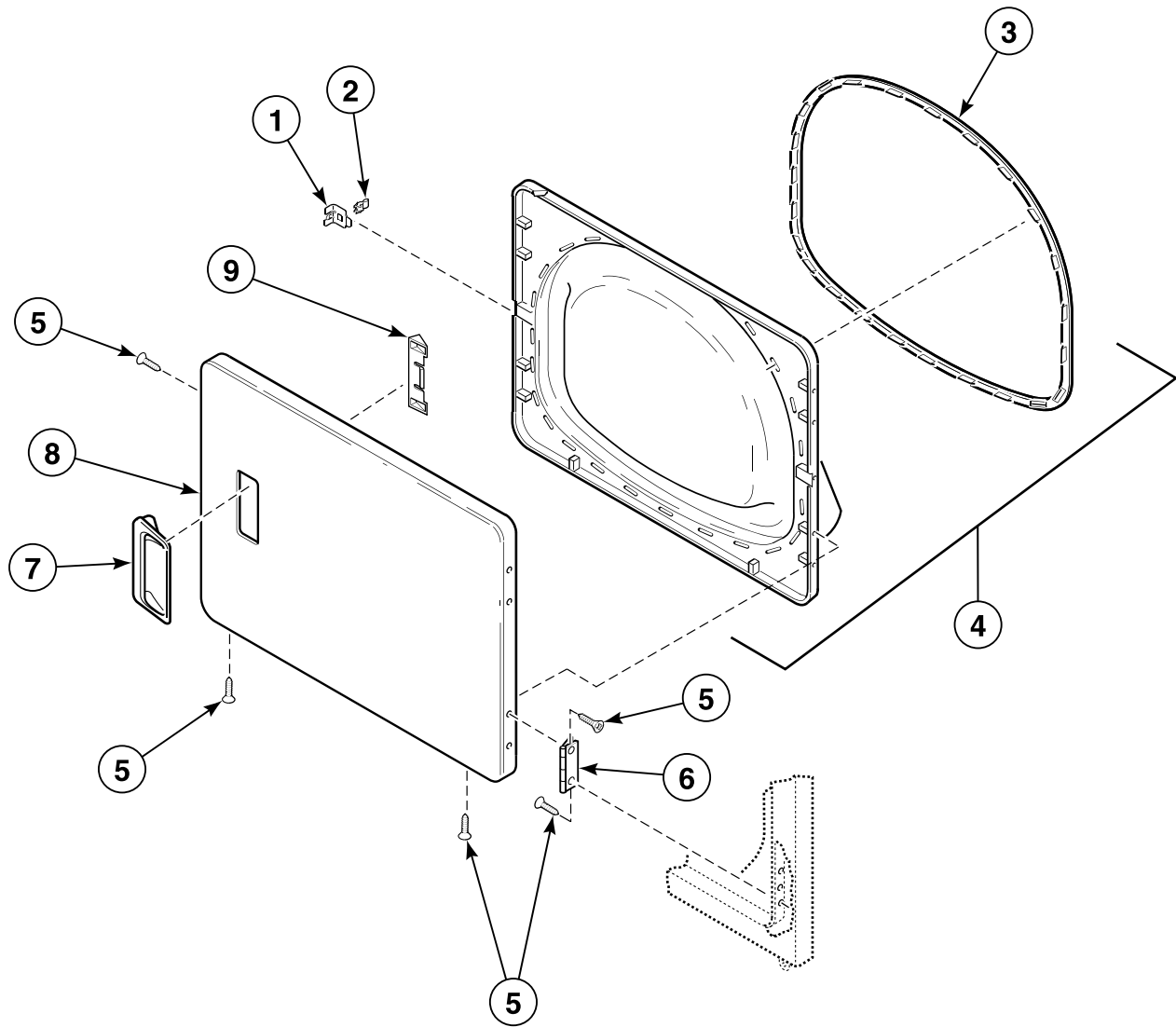
DRY2153P\_506054

## Loading Door (Drawing 1 of 2)

REF	PART NO.	DESCRIPTION	COMMENTS
1	510127	Door Strike Mount	
2	510181	Door Strike	
3	510147P	Liner Door Seal	
4	513109P	Liner, Seal and Grill Assembly	Gray
5	505295	Screw	
6	511036	Hinge	
7	803095	Door Handle	
8	803094P	Handle Cover	
9	513156	Dryer Door	
10	800548	Screw	

# Loading Door (Drawing 2 of 2)

All Models Except ADE32FSS431AN01, ADE32FSS541RN01, ADG32FSS301AN01,  
ZDE41FSS171CN01 and ZDG41FSS111CN01



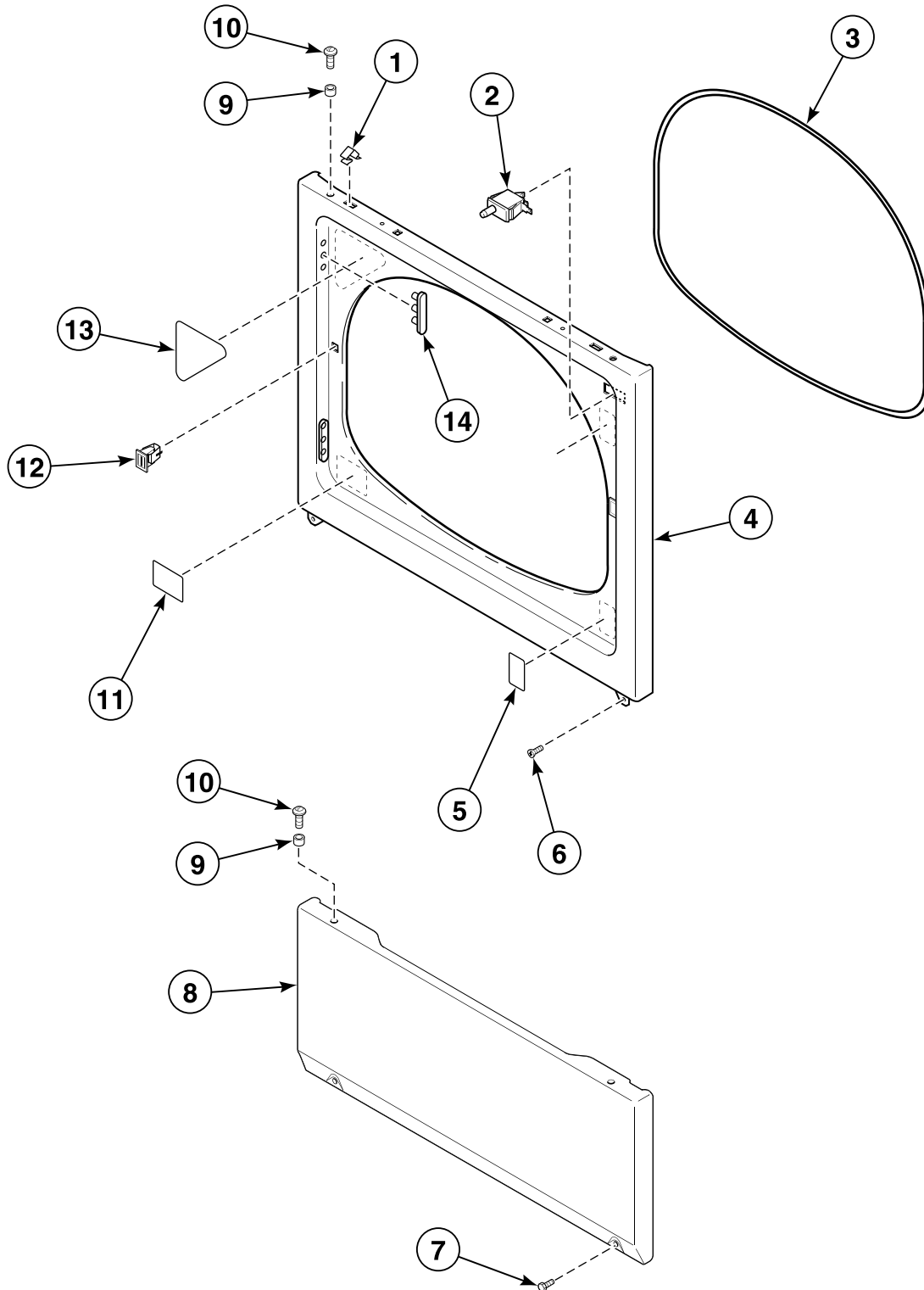
DRY1874P\_506054

## Loading Door (Drawing 2 of 2)

REF	PART NO.	DESCRIPTION	COMMENTS
1	510127	Door Strike Mount	
2	510181	Door Strike	
3	510147P	Liner Door Seal	
4	510163WP	Liner, Seal and Grill Assembly	
5	505295	Screw	
6	511036	Hinge	
7	511213P	Door Pull and Wedge Kit	Black; Includes item 9; Models LEN27A*G3008, LEN27A*G4008, LEN27A*G99M3, LES28A*G4018 and LGN27A*M3008
	510103WP	Door Pull and Wedge Kit	White; Includes item 9; All other models
	510103LP	Door Pull and Wedge Kit	Almond; Includes item 9; All other models
	510103QP	Door Pull and Wedge Kit	Bisque; Includes item 9; All other models
8	510013WP	Dryer Door	White
	510013GP	Dryer Door	Gray
	510013LP	Dryer Door	Almond
	510013QP	Dryer Door	Bisque
9	510129	Door Handle Wedge	

\* Add Letter To Designate Color. G - Gray L - Almond Q - Bisque W - White

# Access Panel, Front Panel and Seal



D400PE3A\_506054

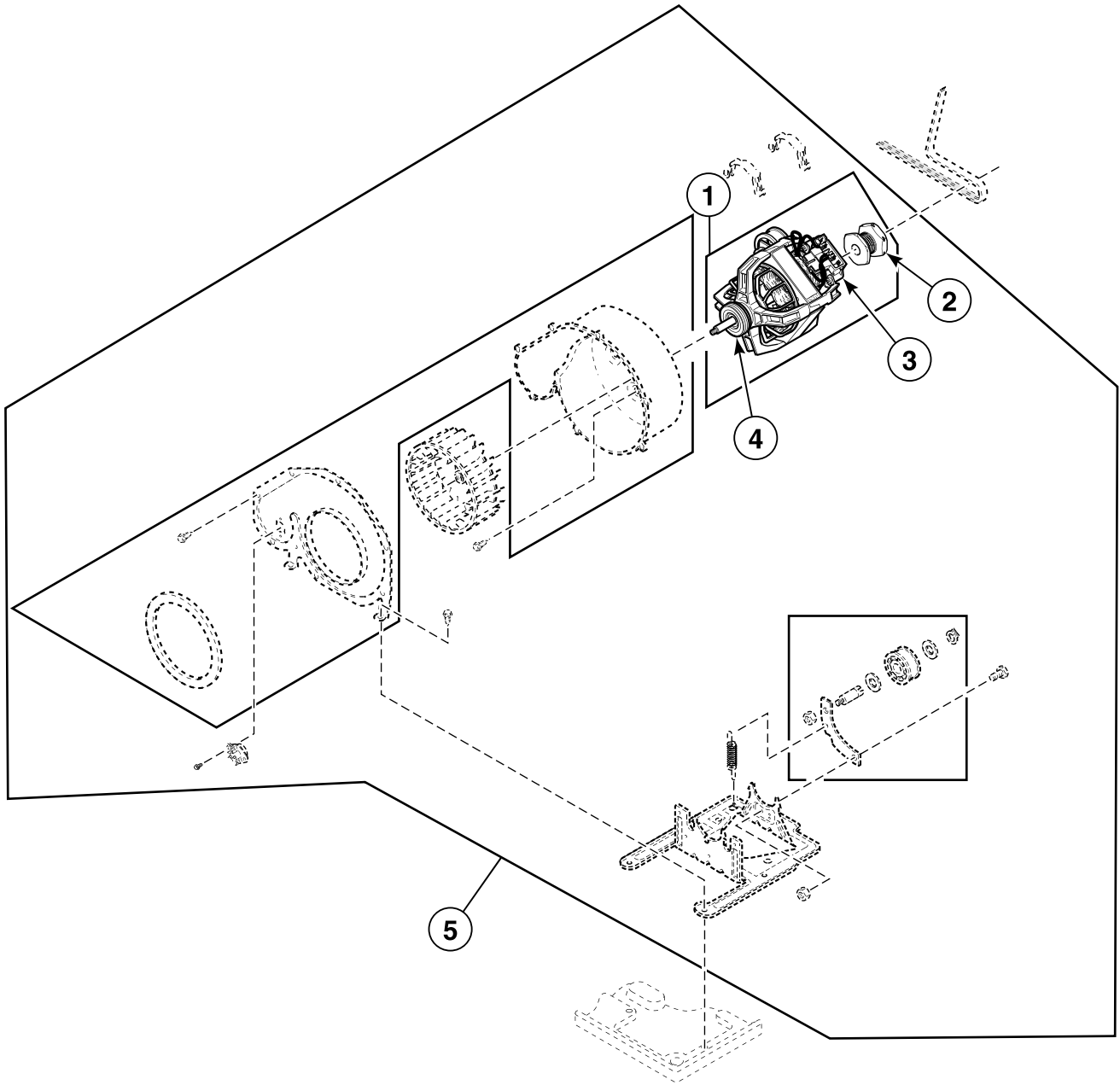


## Access Panel, Front Panel and Seal

REF	PART NO.	DESCRIPTION	COMMENTS
1	28835	Speed Clip	All models except ADG32FSS301AN01, BDG30FGS111CW01, FEN16A*G4018, FEN17A*G3018, FEN17A*G4018, FES16A*G4018, FES17A*F3300, FES17A*F4350, FEZ17A*F1702, FGN16A*M3013, FGN17A*M3013, FGS17A*F3060 and FGZ17A*F1102
2	504570	Switch	
3	511056	Front Panel Seal	
4	512966	Front Panel	Stainless steel; Models ZDE41FSS171CN01 and ZDG41FSS111CN01
	510066WP	Front Panel	White; All other models
	510066LP	Front Panel	Almond; All other models
	510066QP	Front Panel	Bisque; All other models
	510066GP	Front Panel	Gray; All other models
	512542	Front Panel	Stainless steel; All other models
5	512263	Warning Label	Models ADE3TFWS431AW01, ADE3TRWS431AW01, ADE32FSS431AN01, ADG3TFWS301AW01, ADG3TRWS301AW01, ADG32FSS301AN01, FES17A*F4350, FGS17A*F3060, LEG37A*F4350, LEK37A*F4350, LES37A*F4350, LGG37A*F3058, LGK37A*F3058, LGK37A*F3060, LGS37A*F3058 and LGS37A*F3060
6	503688	Screw	
7	33562	Screw	Slotted hex head
8	512543	Access Panel	Stainless steel; Models ADE32FSS431AN01, ADE32FSS541RN01, ADG32FSS301AN01, ZDE41FSS171CN01 and ZDG41FSS111CN01
	510069WP	Access Panel	White; All other models
	510069LP	Access Panel	Almond; All other models
	510069QP	Access Panel	Bisque; All other models
	510069GP	Access Panel	Gray; All other models
9	56079	Panel Locator	
10	39733	Screw	
11	502804	Clean Lint Label	Models ADE3TFWS431AW01, ADE3TRWS431AW01, ADE32FSS431AN01, ADG3TFWS301AW01, ADG3TRWS301AW01, ADG32FSS301AN01, FES17A*F4350, FGS17A*F3060, LEG37A*F4350, LEK37A*F4350, LES37A*F4350, LGG37A*F3058, LGK37A*F3058, LGK37A*F3060, LGS37A*F3058 and LGS37A*F3060
	502781	Lint Filter Label	Model LES17A*M4588
12	510177	Door Catch Assembly	
13	500253	Caution Label	French; Models AEZ17A*F1702, AEZ28A*F1702, AEZ68A*F1702, AGZ17A*F1102, AGZ28A*F1102, AGZ68A*F1102, BDE30FGS171CW01, BDG30FGS111CW01, CDE3LRGS171CW01, CDE4BFGS171CW01, CDG3LRGS111CW01, CDG4BFGS111CW01, CEZ68A*F1702, CGZ68A*F1102, FEZ17A*F1702, FGZ17A*F1102, LEB07A*F1709, LED17A*F1700, LET57A*F1700, LET67A*F1700, LET68A*F1700, LEY47A*F1709, LEZ27A*F1702, LEZ37A*F1702, LEZ57A*F1702, LEZ67A*F1702, LGT57A*F1100, LGT68A*F1100, LGY47A*F1109, LGZ27A*F1102, LGZ37A*F1102, LGZ57A*F1102, LGZ67A*F1102, ZDE30RGS171CW01, ZDE3LRGS171CW01, ZDE41FSS171CN01, ZDE4BFGS171CW01, ZDE4BRGS171CW01, ZDG30RGS111CW01, ZDG3LRGS111CW01, ZDG41FSS111CN01, ZDG4BFGS111CW01 and ZDG4BRGS111CW01
	505809	Warning Label	Spanish; Model LGS17A*K1180
	500281	Warning/Caution Label	English; All other models
14	510186	Hinge Hole Plug	

\* Add Letter To Designate Color. G - Gray L - Almond Q - Bisque W - White

# Motor, Exhaust Fan and Belt (Drawing 1 of 2)



DRY2105P\_506054

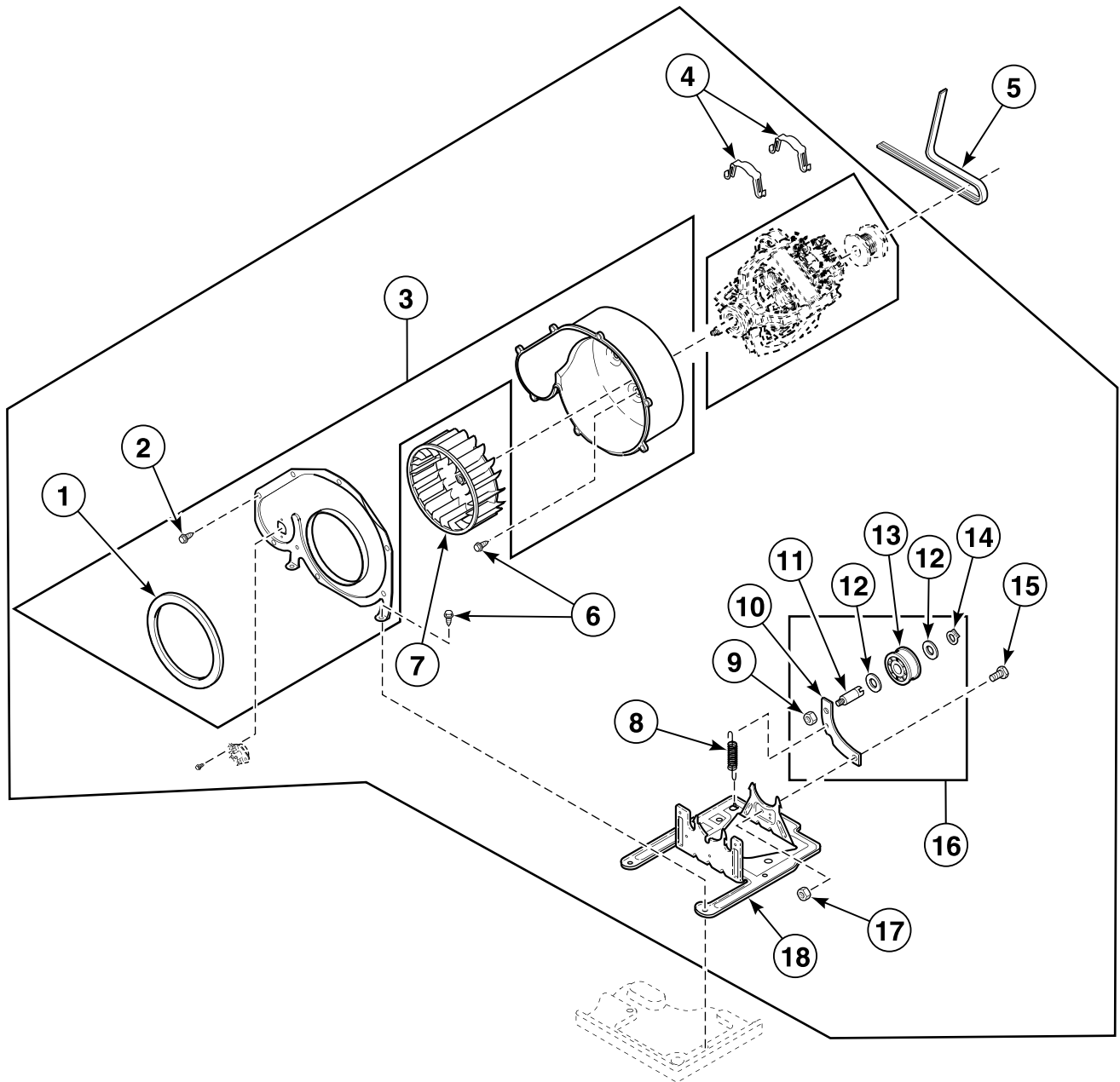
## Motor, Exhaust Fan and Belt (Drawing 1 of 2)

REF	PART NO.	DESCRIPTION	COMMENTS
	27604P	Anti-Seize Compound	Apply to motor shaft when installing blower fan assembly
1	511629P	Motor and Pulley Assembly	120 Volt/60 Hertz; Includes items 2 and 3; Apply anti-seize compound to motor shaft when installing blower fan assembly; Models AEZ17A*F1702, AEZ28A*F1702, AEZ68A*F1702, AGZ17A*F1102, AGZ28A*F1102, AGZ68A*F1102, BDE30FGS171CW01, BDG30FGS111CW01, CDE3LRGS171CW01, CDE4BFGS171CW01, CDG3LRGS111CW01, CDG4BFGS111CW01, CEZ68A*F1702, CGZ68A*F1102, FEZ17A*F1702, FGZ17A*F1102, LEB07A*F1709, LED17A*F1700, LET57A*F1700, LET67A*F1700, LET68A*F1700, LEY47A*F1709, LEZ27A*F1702, LEZ37A*F1702, LEZ57A*F1702, LEZ67A*F1702, LGH37A*F1182, LGS17A*K1180, LGT57A*F1100, LGT68A*F1100, LGY47A*F1109, LGZ27A*F1102, LGZ37A*F1102, LGZ57A*F1102, LGZ67A*F1102, ZDE30RGS171CW01, ZDE3LRGS171CW01, ZDE41FSS171CN01, ZDE4BFGS171CW01, ZDE4BRGS171CW01, ZDG30RGS111CW01, ZDG3LRGS111CW01, ZDG41FSS111CN01, ZDG4BFGS111CW01 and ZDG4BRGS111CW01
	505869P	Motor and Pulley Assembly	240 Volt/60 Hertz; Includes items 2 and 3; Apply anti-seize compound to motor shaft when installing blower fan assembly; Models ADE32FSS541RN01, FES17A*F3300, LEH37A*F3300, LES37A*F3300, LES37A*F3327, LES37A*F5412, LGS37A*F5412 and LGS37A*F5423
	505843P	Motor and Pulley Assembly	240 Volt/50 Hertz; Includes items 2 and 3; Apply anti-seize compound to motor shaft when installing blower fan assembly; All other models
2	500011	Motor Pulley	60 Hertz; Use with 511629P Motor and Pulley Assembly or 505869P Motor and Pulley Assembly; Models ADE32FSS541RN01, AEZ17A*F1702, AEZ28A*F1702, AEZ68A*F1702, AGZ17A*F1102, AGZ28A*F1102, AGZ68A*F1102, BDE30FGS171CW01, BDG30FGS111CW01, CDE3LRGS171CW01, CDE4BFGS171CW01, CDG3LRGS111CW01, CDG4BFGS111CW01, CEZ68A*F1702, CGZ68A*F1102, FES17A*F3300, FEZ17A*F1702, FGZ17A*F1102, LEB07A*F1709, LED17A*F1700, LEH37A*F3300, LES37A*F3300, LES37A*F3327, LES37A*F5412, LET57A*F1700, LET67A*F1700, LET68A*F1700, LEY47A*F1709, LEZ27A*F1702, LEZ37A*F1702, LEZ57A*F1702, LEZ67A*F1702, LGH37A*F1182, LGS17A*K1180, LGS37A*F5412, LGS37A*F5423, LGT57A*F1100, LGT68A*F1100, LGY47A*F1109, LGZ27A*F1102, LGZ37A*F1102, LGZ57A*F1102, LGZ67A*F1102, ZDE30RGS171CW01, ZDE3LRGS171CW01, ZDE41FSS171CN01, ZDE4BFGS171CW01, ZDE4BRGS171CW01, ZDG30RGS111CW01, ZDG3LRGS111CW01, ZDG41FSS111CN01, ZDG4BFGS111CW01 and ZDG4BRGS111CW01
	500222	Motor Pulley	50 Hertz; Use with 505843P Motor and Pulley Assembly; All other models
3	N/A	Motor Switch Kit	Does not include thermal protector
4	590P3	Motor Hub Ring Kit	
5	510717P	Blower and Fan Kit	120 Volt/60 Hertz; Includes items 1-4, and 1-4 and 6-18 on <i>Motor, Exhaust Fan and Belt (Drawing 2 of 2)</i> ; For models that use 511629P Motor and Pulley Assembly

\* Add Letter To Designate Color. G - Gray L - Almond Q - Bisque W - White

N/A = Part no longer available

# Motor, Exhaust Fan and Belt (Drawing 2 of 2)

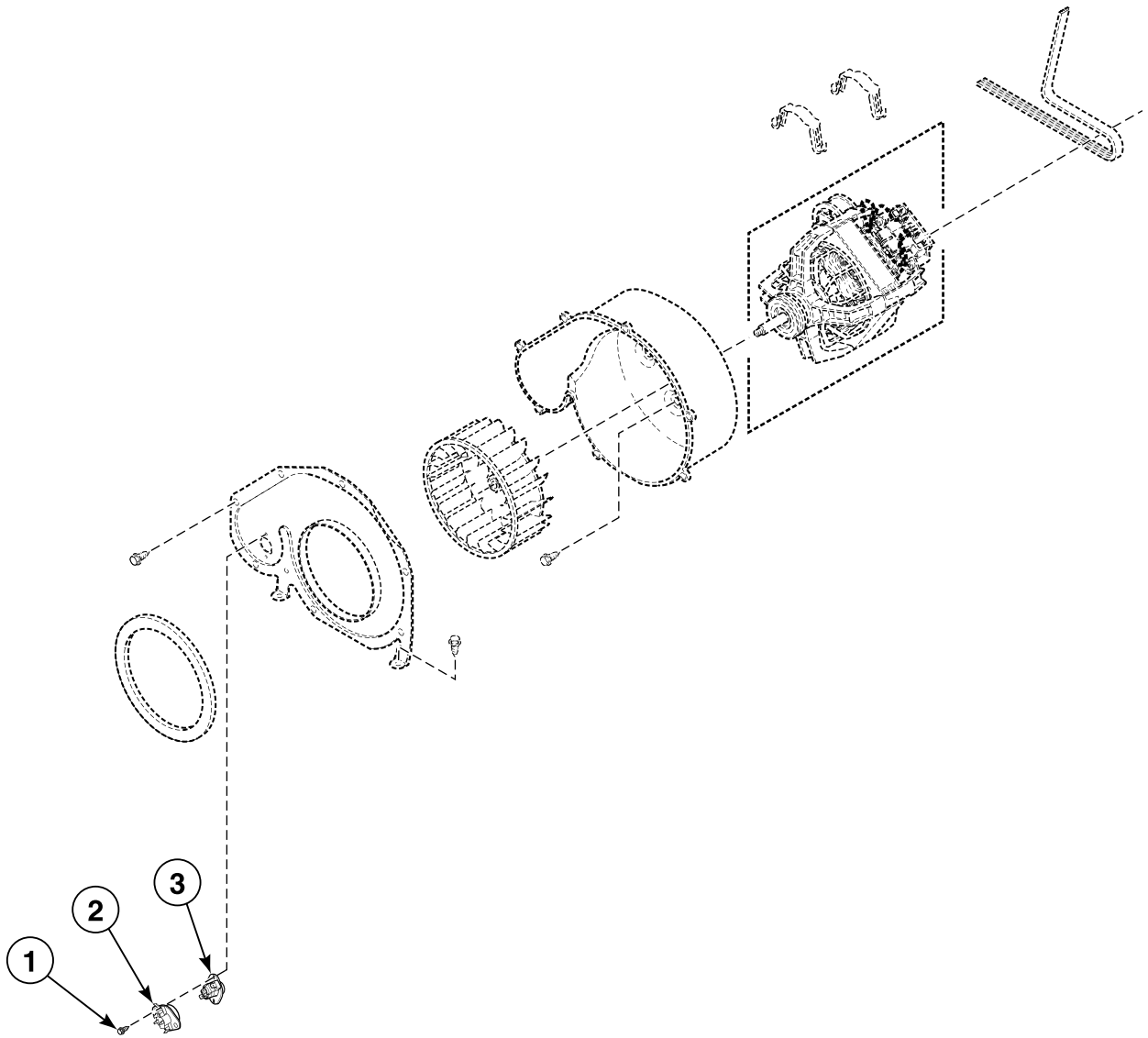


DRY2105PA\_506054

## Motor, Exhaust Fan and Belt (Drawing 2 of 2)

REF	PART NO.	DESCRIPTION	COMMENTS
	27604P	Anti-Seize Compound	Apply to motor shaft when installing blower fan assembly
<b>1</b>	510238P	Blower Housing Seal	
<b>2</b>	31260	Screw	
<b>3</b>	511969P	Blower Housing and Cover Kit	Includes items 1 and 2
<b>4</b>	510180	Motor Mount Clamp	
<b>5</b>	511255P	Cylinder Belt	
<b>6</b>	503688	Screw	
<b>7</b>	510139P	Blower Fan Assembly	Apply anti-seize compound to motor shaft when installing blower fan assembly
<b>8</b>	510185	Idler Spring	
<b>9</b>	56156	Nut	
<b>10</b>	510133	Idler Lever	
<b>11</b>	56461P	Shaft	
<b>12</b>	52549	Washer	
<b>13</b>	510142P	Idler Wheel and Bearing Assembly	
<b>14</b>	23748	Retaining Ring	
<b>15</b>	500824	Screw	
<b>16</b>	510158	Idler Lever and Wheel Assembly	Includes items 9-14
<b>17</b>	52566	Nut	
<b>18</b>	510060	Motor Mount	

# Thermostat



DRY1850P\_506054

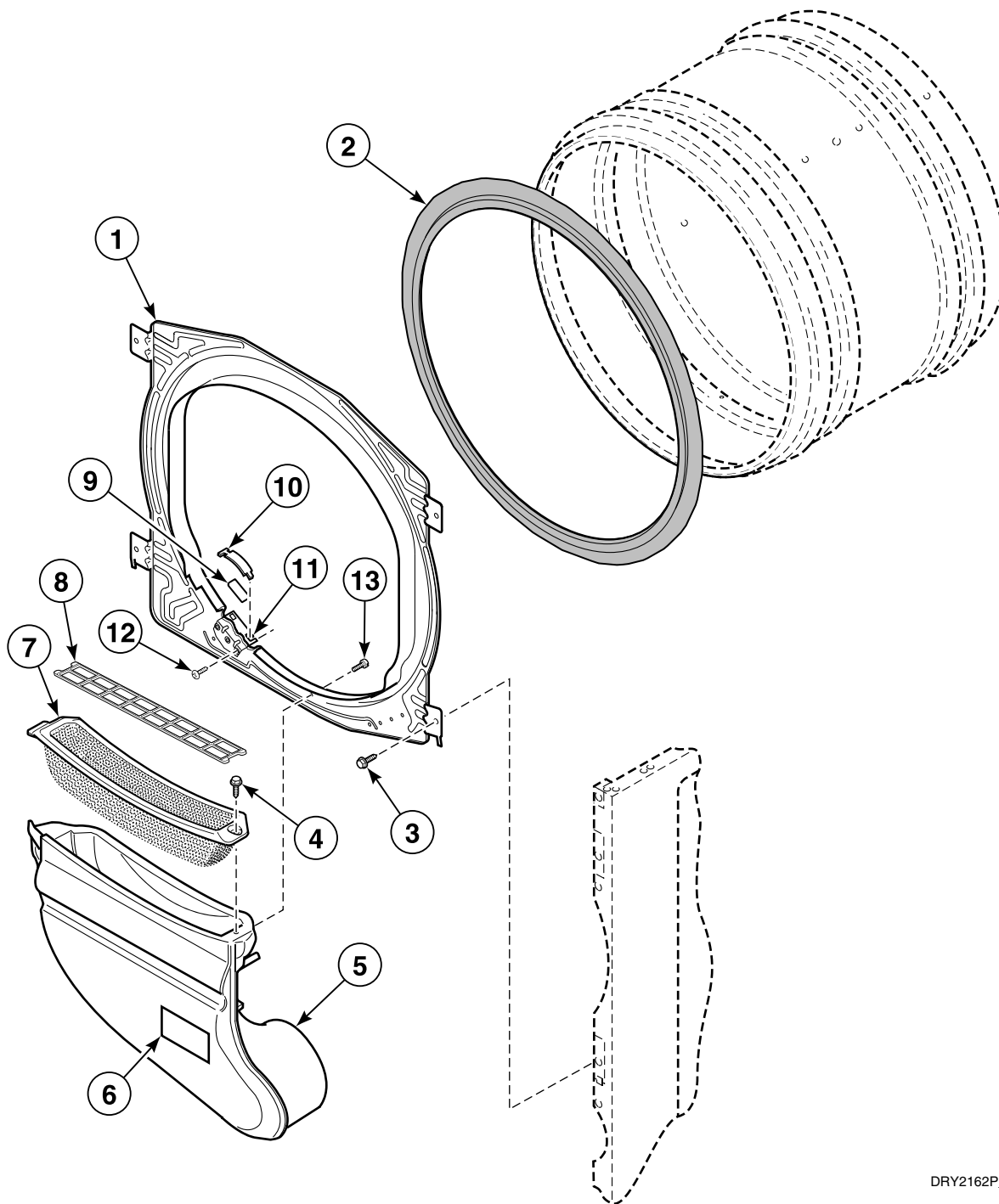
# Thermostat

REF	PART NO.	DESCRIPTION	COMMENTS
1	33561	Screw	
2	504515	Thermostat	Green; Models AEZ17A*F1702, AEZ28A*F1702, AEZ68A*F1702, BDE30FGS171CW01, CDE3LRGS171CW01, CDE4BFGS171CW01, CEZ68A*F1702, FEZ17A*F1702, LED17A*F1700, LET57A*F1700, LET67A*F1700, LET68A*F1700, LEZ27A*F1702, LEZ37A*F1702, LEZ57A*F1702, LEZ67A*F1702, ZDE30RGS171CW01, ZDE3LRGS171CW01, ZDE41FSS171CN01, ZDE4BFGS171CW01 and ZDE4BRGS171CW01
	504519	Thermostat	Violet/White; Models LGS37A*G3013, LGS37A*G3080 and LGZ37A*G3013
	504520	Thermostat	Pink; Model LES33A*F4562
	504521	Thermostat	Yellow/White; Model LES33A*F4562
	510707P	Thermostat	Pink/White; Models AGZ17A*F1102, AGZ28A*F1102, AGZ68A*F1102, BDG30FGS111CW01, CDG3LRGS111CW01, CDG4BFGS111CW01, CGZ68A*F1102, FGZ17A*F1102, LGH37A*F1182, LGS17A*K1180, LGT57A*F1100, LGT68A*F1100, LGZ27A*F1102, LGZ37A*F1102, LGZ57A*F1102, LGZ67A*F1102, ZDG30RGS111CW01, ZDG3LRGS111CW01, ZDG41FSS111CN01, ZDG4BFGS111CW01 and ZDG4BRGS111CW01
	511957	Thermostat	White; All other models
3	M411941	Manual Reset Thermostat	Models ADG3TFWS301AW01, ADG3TRWS301AW01, ADG32FSS301AN01, FGS17A*F3060, LGK37A*F3060 and LGS37A*F3060

\* Add Letter To Designate Color. G - Gray L - Almond Q - Bisque W - White

## Front Bulkhead, Seal and Air Duct - Without Light

All Models Except ADE32FSS431AN01, ADE32FSS541RN01, ADG32FSS301AN01, AEZ28A\*F1702, AEZ68A\*F1702, AGZ28A\*F1102, AGZ68A\*F1102, CDE3LRGS171CW01, CDE4BFGS171CW01, CDG3LRGS111CW01, CDG4BFGS111CW01, CEZ68A\*F1702, CGZ68A\*F1102, LES28A\*G4018, LET57A\*F1700, LET67A\*F1700, LET68A\*F1700, LEY47A\*F1709, LEZ57A\*F1702, LEZ67A\*F1702, LGS38A\*M3013, LGS38A\*M3020, LGS40A\*M3020, LGT57A\*F1100, LGT68A\*F1100, LGY47A\*F1109, LGZ57A\*F1102, LGZ67A\*F1102, ZDE3LRGS171CW01, ZDE41FSS171CN01, ZDE4BFGS171CW01, ZDE4BRGS171CW01, ZDG3LRGS111CW01, ZDG41FSS111CN01, ZDG4BFGS111CW01 and ZDG4BRGS111CW01



DRY2162P\_506054



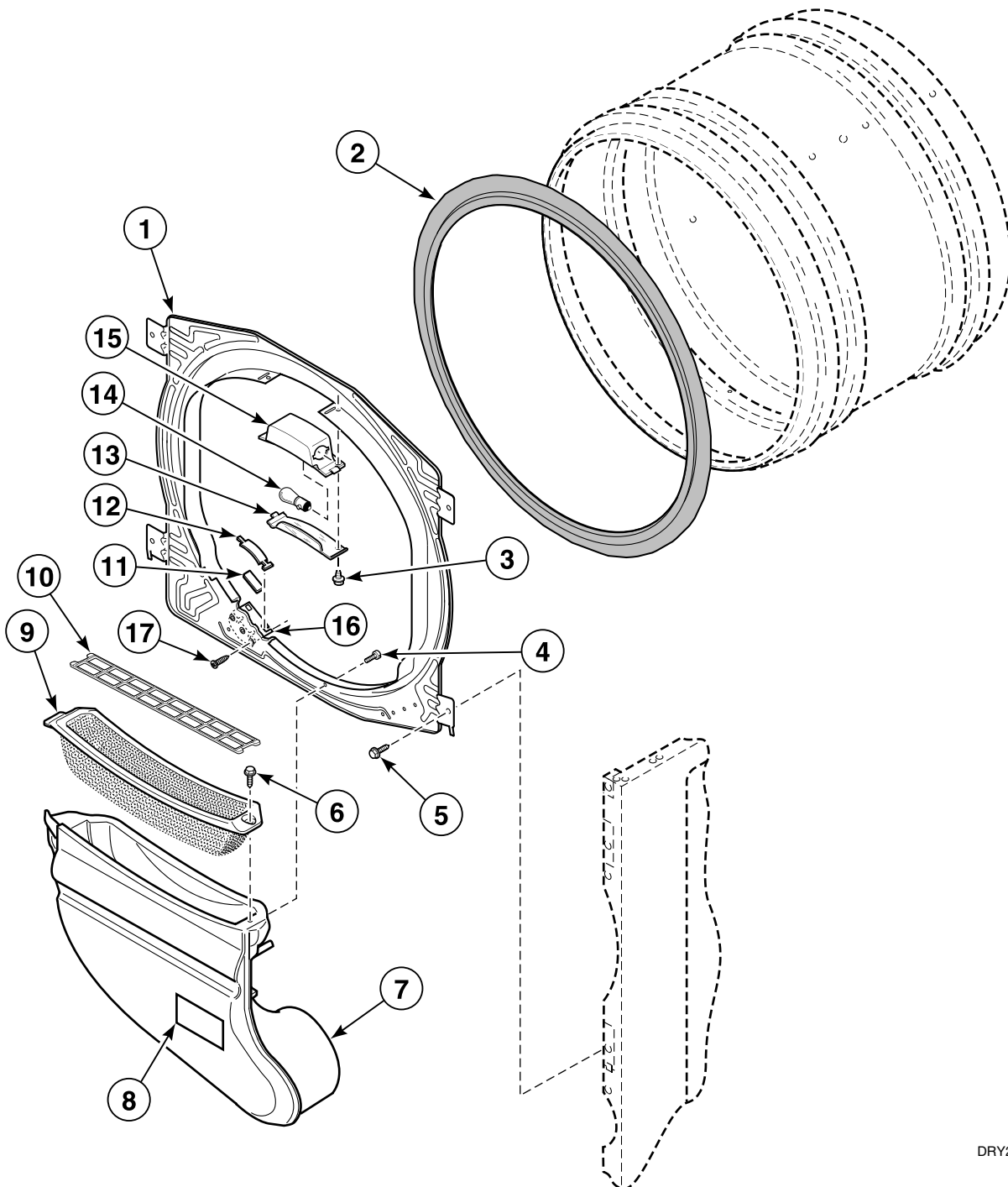
## Front Bulkhead, Seal and Air Duct - Without Light

REF	PART NO.	DESCRIPTION	COMMENTS
	511637P	Adhesive	For cylinder seal
1	510266P	Front Bulkhead Assembly	Unpainted; Includes items 2 and 9-12; Models AEZ17A*F1702, AGZ17A*F1102, BDE30FGS171CW01, BDG30FGS111CW01, FEN16A*G4018, FEN17A*G3018, FEN17A*G4018, FES16A*G4018, FES17A*F3300, FES17A*F4350, FEZ17A*F1702, FGN16A*M3013, FGN17A*M3013, FGS17A*F3060, FGZ17A*F1102, LED17A*F1700, LEN27A*G3008, LEN27A*G3018, LEN27A*G4008, LEN27A*G4018, LEN27A*G99M3, LES17A*F3000, LES17A*F3022, LES17A*F4500, LES17A*M4588, LES27A*G3018, LES27A*G4000, LES27A*G4500, LES27A*G4518, LES27A*G4018, LEZ27A*F1702, LEZ27A*G3018, LEZ27A*G4018, LGN27A*M3008, LGN27A*M3013, LGS17A*F3020, LGS17A*F3081, LGS17A*K1180, LGS17A*M3020, LGS17A*M3082, LGS27A*M3013, LGS27A*M3080, LGZ27A*F1102, LGZ27A*M3013, ZDE30RGS171CW01 and ZDG30RGS111CW01
	511033WP	Front Bulkhead Assembly	Painted; Includes items 2 and 9-12; All other models
2	510207P	Cylinder Seal Assembly	
3	503688	Screw	
4	501285	Screw	
5	510151	Air Duct Assembly	
6	500314	Warning Label	Models AEZ17A*F1702, AGZ17A*F1102, BDE30FGS171CW01, BDG30FGS111CW01, FEZ17A*F1702, FGZ17A*F1102, LEB07A*F1709, LED17A*F1700, LEZ27A*F1702, LEZ37A*F1702, LGZ27A*F1102, LGZ37A*F1102, ZDE30RGS171CW01 and ZDG30RGS111CW01
	502506	Pinched Fingers Label	Model LES17A*M4588
7	503980	Lint Filter	
8	510502	Lint Filter Cover	
9	510189	Felt Pad	
10	510187	Cylinder Glide	
11	510145	Cylinder Glide Bracket	
12	52864	Screw	
13	505295	Screw	

\* Add Letter To Designate Color. G - Gray L - Almond Q - Bisque W - White

# Front Bulkhead, Seal and Air Duct - With Light

Models ADE32FSS431AN01, ADE32FSS541RN01, ADG32FSS301AN01, AEZ28A\*F1702, AEZ68A\*F1702, AGZ28A\*F1102, AGZ68A\*F1102, CDE3LRGS171CW01, CDE4BFGS171CW01, CDG3LRGS111CW01, CDG4BFGS111CW01, CEZ68A\*F1702, CGZ68A\*F1102, LES28A\*G4018, LET57A\*F1700, LET67A\*F1700, LET68A\*F1700, LEY47A\*F1709, LEZ57A\*F1702, LEZ67A\*F1702, LGS38A\*M3013, LGS38A\*M3020, LGS40A\*M3020, LGT57A\*F1100, LGT68A\*F1100, LGY47A\*F1109, LGZ57A\*F1102, LGZ67A\*F1102, ZDE3LRGS171CW01, ZDE41FSS171CN01, ZDE4BFGS171CW01, ZDE4BRGS171CW01, ZDG3LRGS111CW01, ZDG41FSS111CN01, ZDG4BFGS111CW01 and ZDG4BRGS111CW01



DRY2163P\_506054

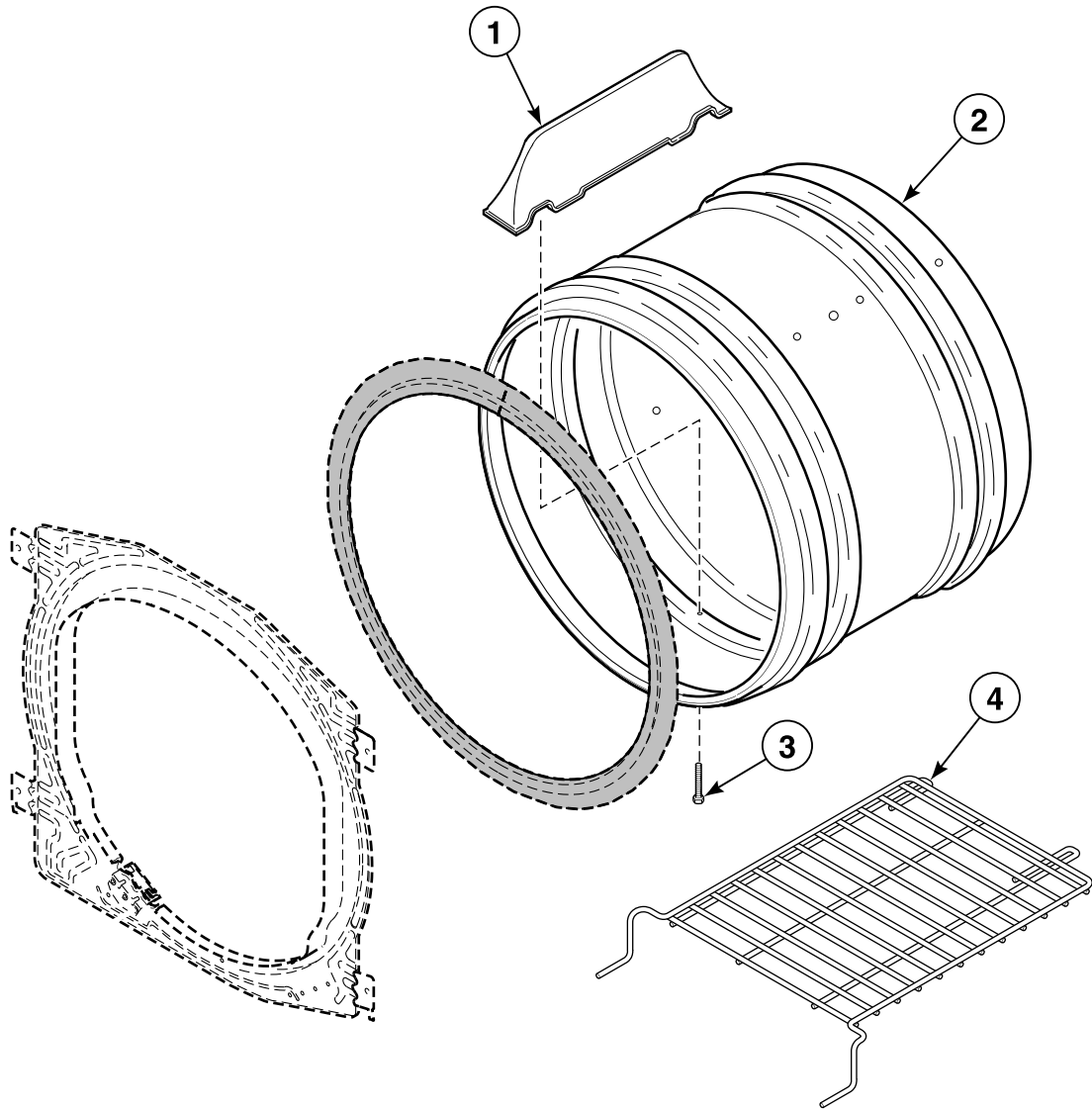
## Front Bulkhead, Seal and Air Duct - With Light

REF	PART NO.	DESCRIPTION	COMMENTS
	511637P	Adhesive	For cylinder seal
1	512476	Front Bulkhead Assembly	Galvanized; Includes items 2, 3, and 11-17; 240 Volt Cylinder Light Assembly and Lamp must be ordered separately; Drum Light Lens must be ordered separately for model LES28A*G4018; Models AEZ28A*F1702, AEZ68A*F1702, AGZ28A*F1102, AGZ68A*F1102, CDE3LRGS171CW01, CDE4BFGS171CW01, CDG3LRGS111CW01, CDG4BFGS111CW01, CEZ68A*F1702, CGZ68A*F1102, LES28A*G4018, ZDE3LRGS171CW01, ZDE41FSS171CN01, ZDE4BFGS171CW01, ZDE4BRGS171CW01, ZDG3LRGS111CW01, ZDG41FSS111CN01, ZDG4BFGS111CW01 and ZDG4BRGS111CW01
	505899WP	Bulkhead Assembly	Painted; Includes items 2, 3, and 11-17; All other models
2	510207P	Cylinder Seal Assembly	
3	500227	Screw	
4	505295	Screw	
5	503688	Screw	
6	501285	Screw	
7	512945	Air Duct Assembly	Models ADE32FSS431AN01, ADE32FSS541RN01, ADG32FSS301AN01, ZDE41FSS171CN01 and ZDG41FSS111CN01
	510151	Air Duct Assembly	All other models
8	500314	Warning Label	Models AEZ28A*F1702, AEZ68A*F1702, AGZ28A*F1102, AGZ68A*F1102, CDE3LRGS171CW01, CDE4BFGS171CW01, CDG3LRGS111CW01, CDG4BFGS111CW01, CEZ68A*F1702, CGZ68A*F1102, LET57A*F1700, LET67A*F1700, LET68A*F1700, LEY47A*F1709, LEZ57A*F1702, LEZ67A*F1702, LGT57A*F1100, LGT68A*F1100, LGY47A*F1109, LGZ57A*F1102, LGZ67A*F1102, ZDE3LRGS171CW01, ZDE41FSS171CN01, ZDE4BFGS171CW01, ZDE4BRGS171CW01, ZDG3LRGS111CW01, ZDG41FSS111CN01, ZDG4BFGS111CW01 and ZDG4BRGS111CW01
9	512946	Lint Filter	Light gray; Models ADE32FSS431AN01, ADE32FSS541RN01, ADG32FSS301AN01, ZDE41FSS171CN01 and ZDG41FSS111CN01
	503980	Lint Filter	All other models
10	510502	Lint Filter Cover	
11	510189	Felt Pad	
12	510187	Cylinder Glide	
13	512106	Cylinder Light Lens	Models ADE32FSS431AN01, ADE32FSS541RN01, ADG32FSS301AN01, AEZ28A*F1702, AEZ68A*F1702, AGZ28A*F1102, AGZ68A*F1102, CDE3LRGS171CW01, CDE4BFGS171CW01, CDG3LRGS111CW01, CDG4BFGS111CW01, CEZ68A*F1702, CGZ68A*F1102, ZDE3LRGS171CW01, ZDE41FSS171CN01, ZDE4BFGS171CW01, ZDE4BRGS171CW01, ZDG3LRGS111CW01, ZDG41FSS111CN01, ZDG4BFGS111CW01 and ZDG4BRGS111CW01
	503623	Drum Light Lens	All other models
14	503579	Drum Light Lamp	240 Volt; Models LES28A*G4018, LGS38A*M3013, LGS38A*M3020 and LGS40A*M3020
	N/A	Drum Light Lamp	120 Volt; All other models
15	512109	Cylinder Light Assembly	240 Volt; Models LES28A*G4018, LGS38A*M3013, LGS38A*M3020 and LGS40A*M3020
	512108	Light Housing Assembly	120 Volt; Includes lamp; All other models
16	510145	Cylinder Glide Bracket	
17	501086	Screw	

\* Add Letter To Designate Color. L - Almond Q - Bisque W - White

N/A = Part no longer available

# Cylinder, Baffles and Drying Rack



DRY2161P\_506054

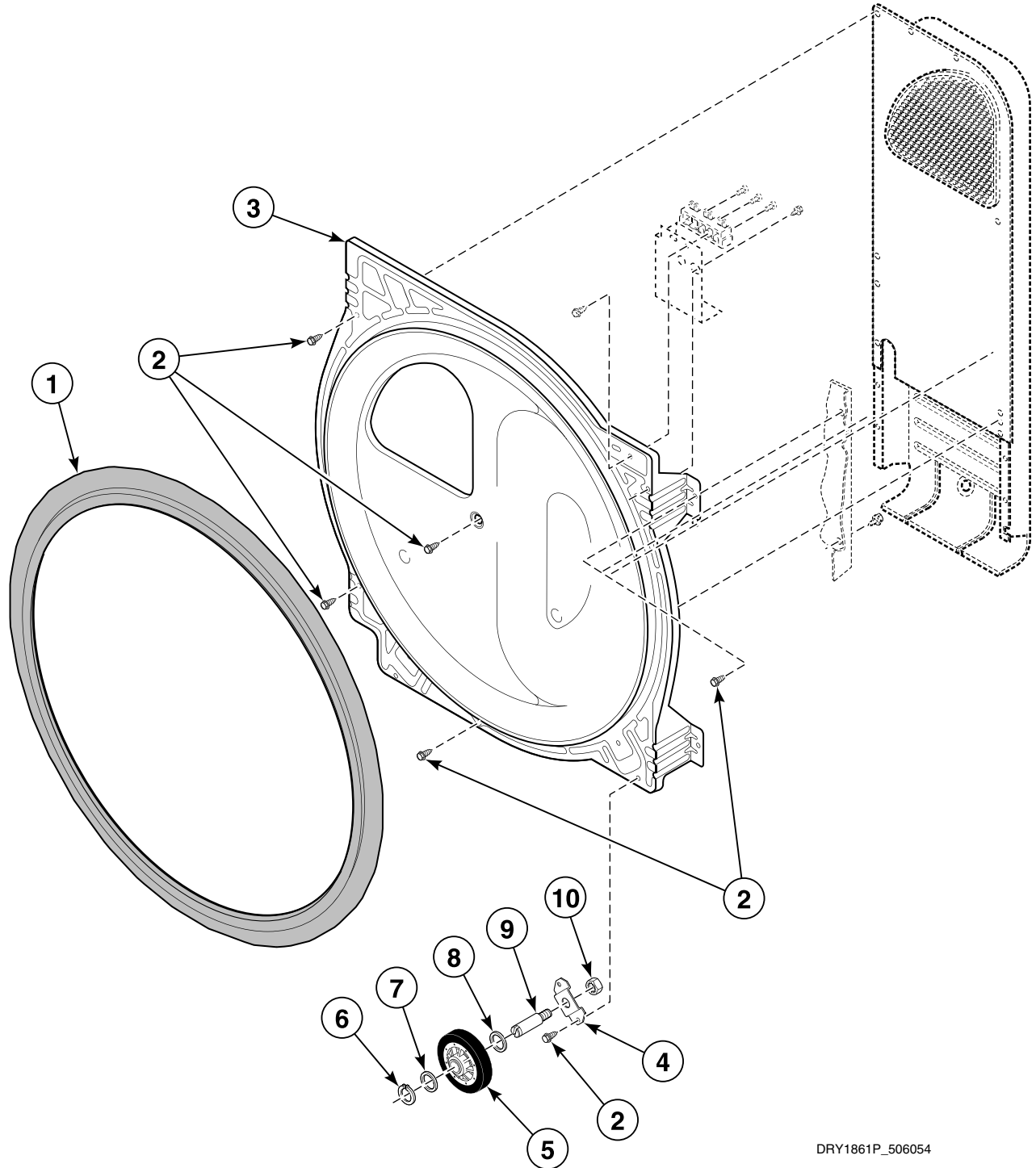
## Cylinder, Baffles and Drying Rack

REF	PART NO.	DESCRIPTION	COMMENTS
1	512941	Cylinder Baffle	3 required; Light gray; Models ADE32FSS431AN01, ADE32FSS541RN01, ADG32FSS301AN01, ZDE41FSS171CN01 and ZDG41FSS111CN01
	510102	Cylinder Baffle	All other models
2	510265P	Cylinder Assembly	Galvanized; Includes (3) of item 1 and (6) of item 3; Models AEZ17A*F1702, AEZ28A*F1702, AEZ68A*F1702, AGZ17A*F1102, AGZ28A*F1102, AGZ68A*F1102, BDE30FGS171CW01, BDG30FGS111CW01, CDE3LRGS171CW01, CDE4BFGS171CW01, CDG3LRGS111CW01, CDG4BFGS111CW01, CEZ68A*F1702, CGZ68A*F1102, FEN16A*G4018, FEN17A*G3018, FEN17A*G4018, FES16A*G4018, FES17A*F3300, FES17A*F4350, FEZ17A*F1702, FGN16A*M3013, FGN17A*M3013, FGS17A*F3060, FGZ17A*F1102, LED17A*F1700, LEN27A*G3008, LEN27A*G3018, LEN27A*G4008, LEN27A*G4018, LES17A*F3000, LES17A*F3022, LES17A*F4500, LES17A*M4588, LES27A*G3018, LES27A*G4000, LES27A*G4500, LES27A*G4518, LES27A*G4018, LES28A*G4018, LET68A*F1700, LEZ27A*F1702, LEZ27A*G3018, LEZ27A*G4018, LGN27A*M3008, LGN27A*M3013, LGS17A*F3020, LGS17A*F3081, LGS17A*K1180, LGS17A*M3020, LGS17A*M3082, LGS27A*M3013, LGS27A*M3080, LGT68A*F1100, LGZ27A*F1102, LGZ27A*M3013, ZDE30RGS171CW01, ZDE3LRGS171CW01, ZDE4BFGS171CW01, ZDE4BRGS171CW01, ZDG30RGS111CW01, ZDG3LRGS111CW01, ZDG4BFGS111CW01 and ZDG4BRGS111CW01
	505929P	Cylinder Assembly	Stainless steel; Includes (3) of item 1 and (6) of item 3; Models LEN27A*G99M3, LET67A*F1700, LEZ67A*F1702, LGS40A*M3020 and LGZ67A*F1102
	512940	Cylinder Assembly	Stainless steel; Includes (3) of item 1 and (6) of item 3; Models ADE32FSS431AN01, ADE32FSS541RN01, ADG32FSS301AN01, ZDE41FSS171CN01 and ZDG41FSS111CN01
	510159WP	Cylinder Assembly	White; Includes (3) of item 1 and (6) of item 3; All other models
3	62588	Screw	
4	512082P	Drying Rack	

\* Add Letter To Designate Color. L - Almond Q - Bisque W - White

# Rear Bulkhead, Felt Seal and Cylinder Roller - 1 Phase Models

All Models Except FEN16A\*G4018, FEN17A\*G4018, FES16A\*G4018, LEN27A\*G4008, LEN27A\*G4018, LEN27A\*G99M3, LEN37A\*G4018, LES27A\*G4000, LES27A\*G4018, LES28A\*G4018, LES37A\*G4018, LEZ27A\*G4018 and LEZ37A\*G4018



DRY1861P\_506054

## Rear Bulkhead, Felt Seal and Cylinder Roller - 1 Phase Models

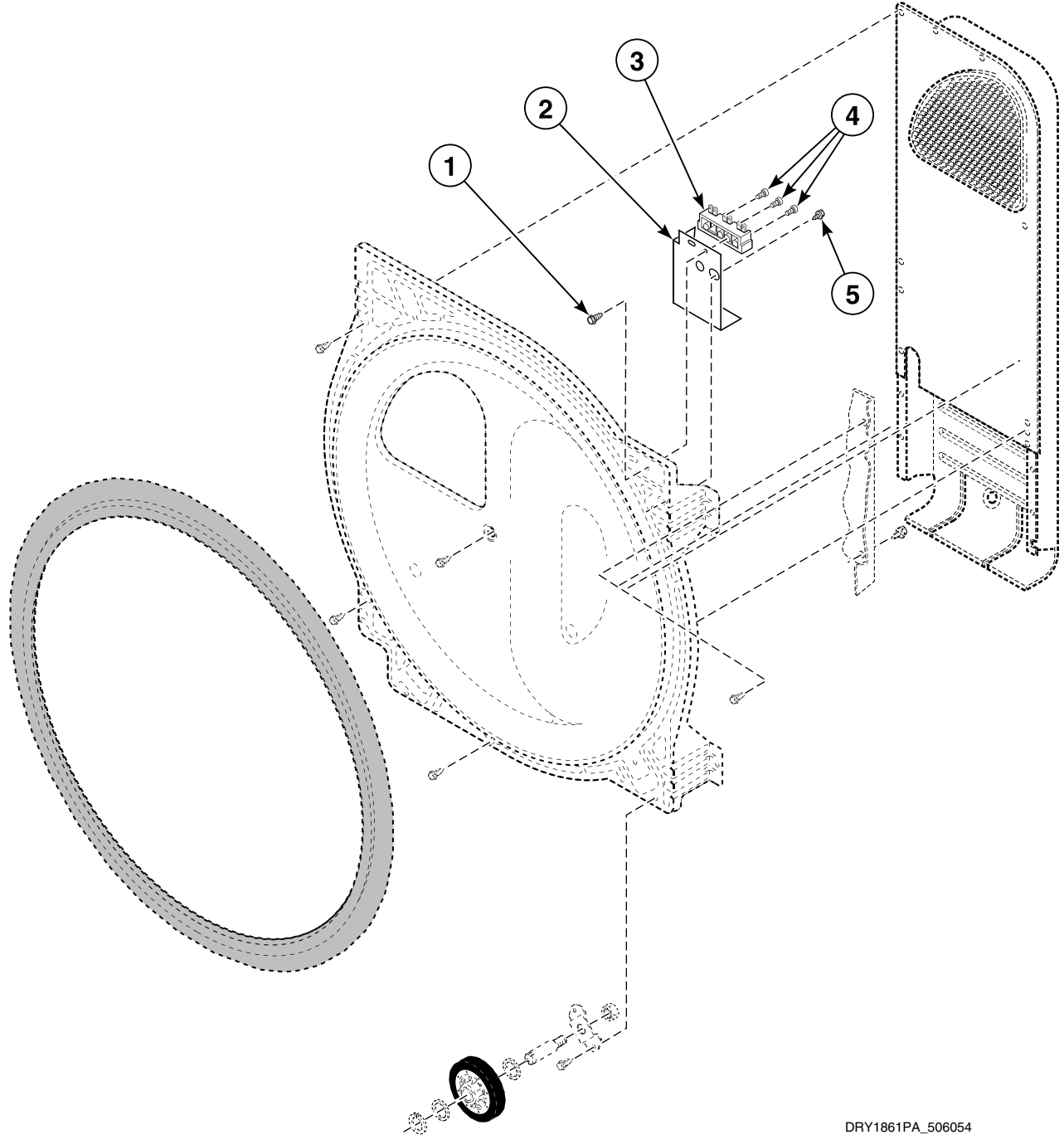
REF	PART NO.	DESCRIPTION	COMMENTS
	511637P	Adhesive	For cylinder seal
<b>1</b>	510207P	Cylinder Seal Assembly	
<b>2</b>	503688	Screw	
<b>3</b>	511082P	Rear Bulkhead Assembly	Galvanized; Includes item 1; Models AEZ17A*F1702, AEZ28A*F1702, AEZ68A*F1702, AGZ17A*F1102, AGZ28A*F1102, AGZ68A*F1102, BDE30FGS171CW01, BDG30FGS111CW01, CDE3LRGS171CW01, CDE4BFGS171CW01, CDG3LRGS111CW01, CDG4BFGS111CW01, CEZ68A*F1702, CGZ68A*F1102, FES17A*F3300, FES17A*F4350, FEZ17A*F1702, FGN16A*M3013, FGN17A*M3013, FGS17A*F3060, FGZ17A*F1102, LED17A*F1700, LEN27A*G3008, LEN27A*G3018, LES17A*F3000, LES17A*F3022, LES17A*F4500, LES17A*M4588, LES27A*G3018, LES27A*G4500, LES27A*G4518, LET68A*F1700, LEZ27A*F1702, LEZ27A*G3018, LGN27A*M3008, LGN27A*M3013, LGS17A*F3020, LGS17A*F3081, LGS17A*K1180, LGS17A*M3020, LGS17A*M3082, LGS27A*M3013, LGS27A*M3080, LGT68A*F1100, LGZ27A*F1102, LGZ27A*M3013, ZDE30RGS171CW01, ZDE3LRGS171CW01, ZDE4BFGS171CW01, ZDE4BRGS171CW01, ZDG30RGS111CW01, ZDG3LRGS111CW01, ZDG4BFGS111CW01 and ZDG4BRGS111CW01
	N/A	Rear Bulkhead Assembly	Stainless steel; Includes item 1; Models LET67A*F1700, LEZ67A*F1702, LGS40A*M3020 and LGZ67A*F1102
	505246	Rear Bulkhead Assembly	Stainless steel; Includes item 1; Models ADE32FSS431AN01, ADE32FSS541RN01, ADG32FSS301AN01, ZDE41FSS171CN01 and ZDG41FSS111CN01
	510905WP	Rear Bulkhead Assembly	White; Includes item 1; All other models
<b>4</b>	510100	Cylinder Roller Bracket	
<b>5</b>	510708P	Cylinder Roller	
<b>6</b>	23748	Retaining Ring	
<b>7</b>	52549	Washer	
<b>8</b>	504082	Washer	
<b>9</b>	56461P	Shaft	
<b>10</b>	56156	Nut	

\* Add Letter To Designate Color. G - Gray L - Almond Q - Bisque W - White

N/A = Part no longer available

# Terminal Block - 1 Phase Models

All Models Except FEN16A\*G4018, FEN17A\*G4018, FES16A\*G4018, LEN27A\*G4008, LEN27A\*G4018, LEN27A\*G99M3, LEN37A\*G4018, LES27A\*G4000, LES27A\*G4018, LES28A\*G4018, LES37A\*G4018, LEZ27A\*G4018 and LEZ37A\*G4018



DRY1861PA\_506054



## Terminal Block - 1 Phase Models

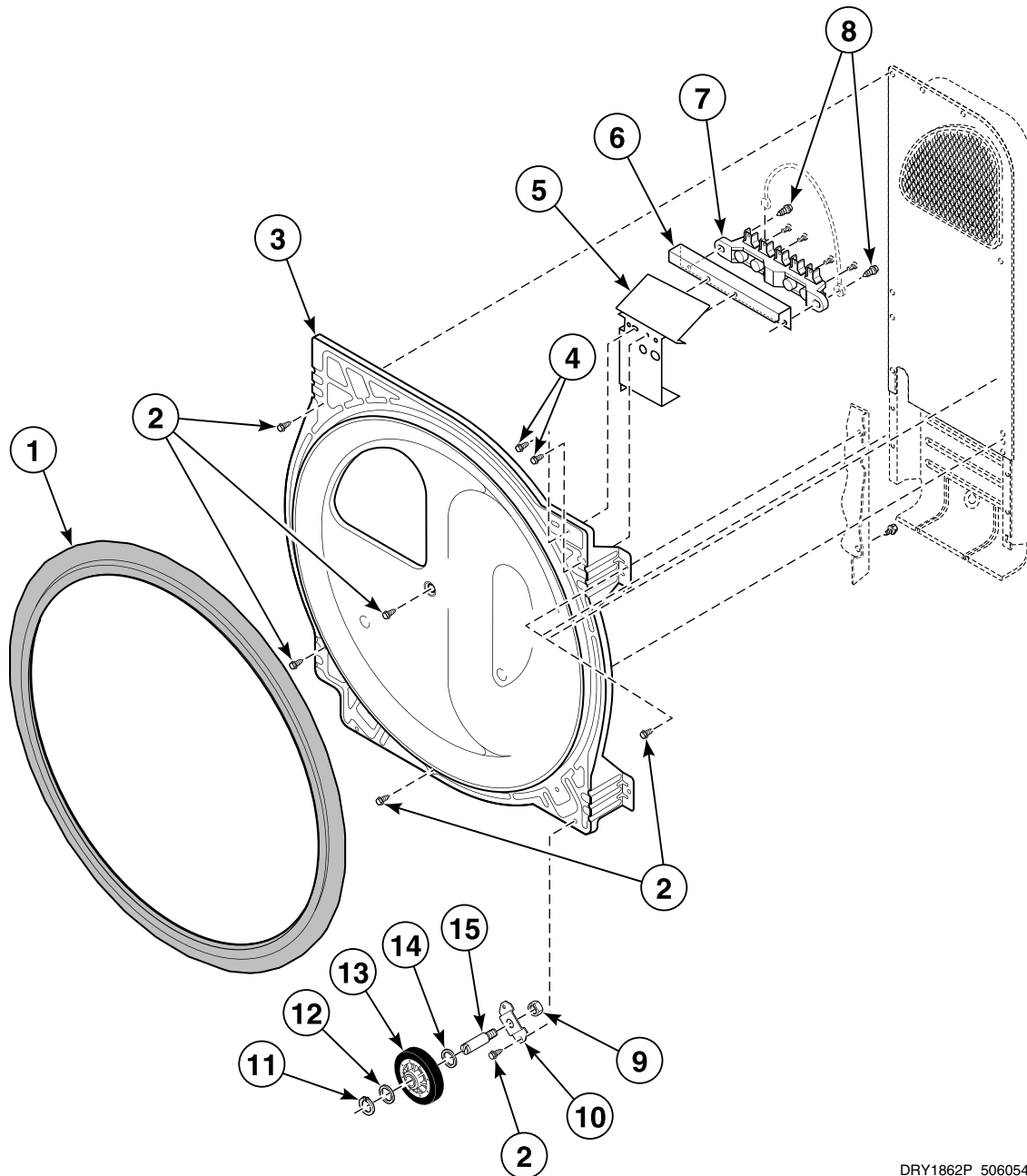
REF	PART NO.	DESCRIPTION	COMMENTS
1	501285	Screw	
2	510237	Terminal Block Shield	Models AEZ17A*F1702, AEZ28A*F1702, AEZ68A*F1702, BDE30FGS171CW01, CDE3LRGS171CW01, CDE4BFGS171CW01, CEZ68A*F1702, FEZ17A*F1702, LEB07A*F1709, LED17A*F1700, LEH37A*F3300, LES17A*F3000, LES17A*F3022, LES17A*F4500, LES37A*F3000, LES37A*F3300, LES37A*F3327, LES37A*F5412, LET57A*F1700, LET67A*F1700, LET68A*F1700, LEY47A*F1709, LEZ27A*F1702, LEZ37A*F1702, LEZ37A*F3000, LEZ57A*F1702, LEZ67A*F1702, ZDE30RGS171CW01, ZDE3LRGS171CW01, ZDE41FSS171CN01, ZDE4BFGS171CW01 and ZDE4BRGS171CW01
	505768	Terminal Block Shield	Models ADE3TRWS431AW01, ADE32FSS431AN01, ADE32FSS541RN01, ADG3TRWS301AW01, ADG32FSS301AN01, FGN16A*M3013, FGN17A*M3013, LEG37A*F4350, LEK37A*F4350, LEN27A*G3008, LEN27A*G3018, LEN37A*G3018, LES17A*M4588, LES27A*G3018, LES27A*G4500, LES27A*G4518, LES33A*F4562, LES37A*F3028, LES37A*F4350, LES37A*G3018, LEZ27A*G3018, LEZ37A*G3018, LEZ37A*G5618, LGG37A*F3058, LGK37A*F3058, LGK37A*F3060, LGN27A*M3008, LGN27A*M3013, LGN37A*M3013, LGS17A*F3020, LGS17A*F3081, LGS17A*M3020, LGS17A*M3082, LGS27A*M3013, LGS27A*M3080, LGS37A*F3028, LGS37A*F3058, LGS37A*F3060, LGS37A*G3013, LGS37A*G3080, LGS37A*M3013, LGS37A*M3080, LGS38A*M3013, LGS38A*M3020, LGS40A*M3020, LGZ27A*M3013, LGZ37A*G3013 and LGZ37A*M3013
3	510190P	Terminal Block Assembly	Includes 3 of item 4; All models except AGZ17A*F1102, AGZ28A*F1102, AGZ68A*F1102, BDG30FGS111CW01, CDG3LRGS111CW01, CDG4BFGS111CW01, CGZ68A*F1102, FGZ17A*F1102, LGH37A*F1182, LGS17A*K1180, LGS37A*G3013, LGS37A*G3080, LGT57A*F1100, LGT68A*F1100, LGY47A*F1109, LGZ27A*F1102, LGZ37A*F1102, LGZ37A*G3013, LGZ57A*F1102, LGZ67A*F1102, ZDG30RGS111CW01, ZDG3LRGS111CW01, ZDG41FSS111CN01, ZDG4BFGS111CW01 and ZDG4BRGS111CW01
	N/A	Terminal Block	Models LGS37A*G3013, LGS37A*G3080 and LGZ37A*G3013
4	61199	Screw	All models except AGZ17A*F1102, AGZ28A*F1102, AGZ68A*F1102, BDG30FGS111CW01, CDG3LRGS111CW01, CDG4BFGS111CW01, CGZ68A*F1102, FGZ17A*F1102, LGH37A*F1182, LGS17A*K1180, LGS37A*G3013, LGS37A*G3080, LGT57A*F1100, LGT68A*F1100, LGY47A*F1109, LGZ27A*F1102, LGZ37A*F1102, LGZ37A*G3013, LGZ57A*F1102, LGZ67A*F1102, ZDG30RGS111CW01, ZDG3LRGS111CW01, ZDG41FSS111CN01, ZDG4BFGS111CW01 and ZDG4BRGS111CW01
5	503688	Screw	

\* Add Letter To Designate Color. G - Gray L - Almond Q - Bisque W - White

N/A = Part no longer available

# Rear Bulkhead, Felt Seal, Cylinder Roller and Terminal Block - 3 Phase Models

Models FEN16A\*G4018, FEN17A\*G4018, FES16A\*G4018, LEN27A\*G4008, LEN27A\*G4018, LEN27A\*G99M3,  
LEN37A\*G4018, LES27A\*G4000, LES27A\*G4018, LES28A\*G4018, LES37A\*G4018, LEZ27A\*G4018 and LEZ37A\*G4018



DRY1862P\_506054

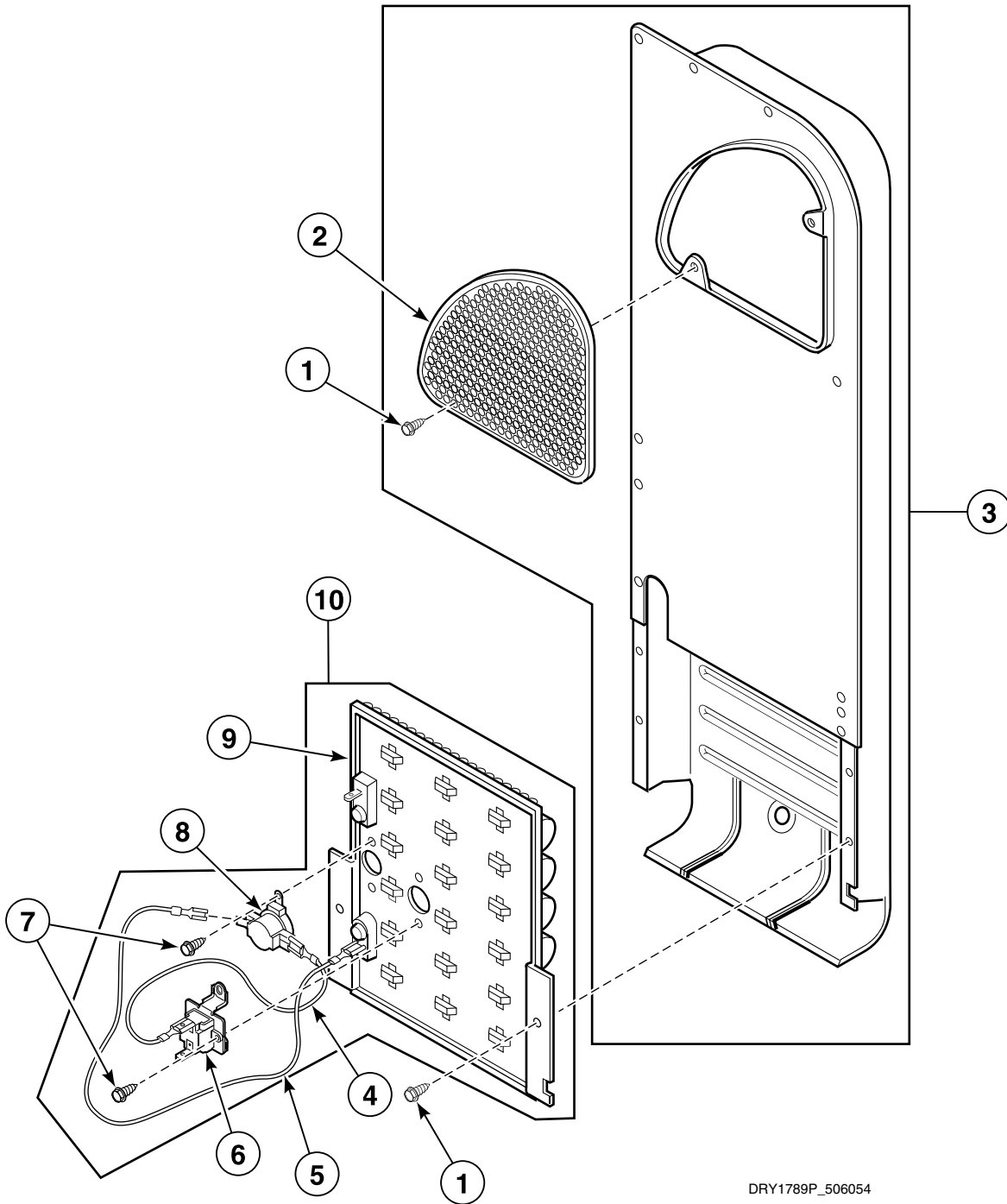
## Rear Bulkhead, Felt Seal, Cylinder Roller and Terminal Block - 3 Phase Models

REF	PART NO.	DESCRIPTION	COMMENTS
	511637P	Adhesive	For cylinder seal
1	510207P	Cylinder Seal Assembly	
2	503688	Screw	
3	510905WP	Rear Bulkhead Assembly	White; Includes item 1; Models LEN37A*G4018, LES37A*G4018 and LEZ37A*G4018
	505246	Rear Bulkhead Assembly	Stainless steel; Includes item 1; Model LEN27A*G99M3
	511082P	Rear Bulkhead Assembly	Galvanized; Includes item 1; All other models
4	501285	Screw	
5	505768	Terminal Block Shield	
6	505875	Terminal Block Support Bracket	
7	505876	Terminal Block Assembly	
8	503661	Screw	
9	56156	Nut	
10	510100	Cylinder Roller Bracket	
11	23748	Retaining Ring	
12	52549	Washer	
13	510708P	Cylinder Roller	
14	504082	Washer	
15	56461P	Shaft	

\* Add Letter To Designate Color. G - Gray L - Almond Q - Bisque W - White

# Heater Duct and Element Assembly - 1 Phase Models

All Electric Models Except FEN16A\*G4018, FEN17A\*G4018, FES16A\*G4018,  
LEN27A\*G4008, LEN27A\*G4018, LEN27A\*G99M3, LEN37A\*G4018, LES27A\*G4000,  
LES27A\*G4018, LES28A\*G4018, LES37A\*G4018, LEZ27A\*G4018 and LEZ37A\*G4018



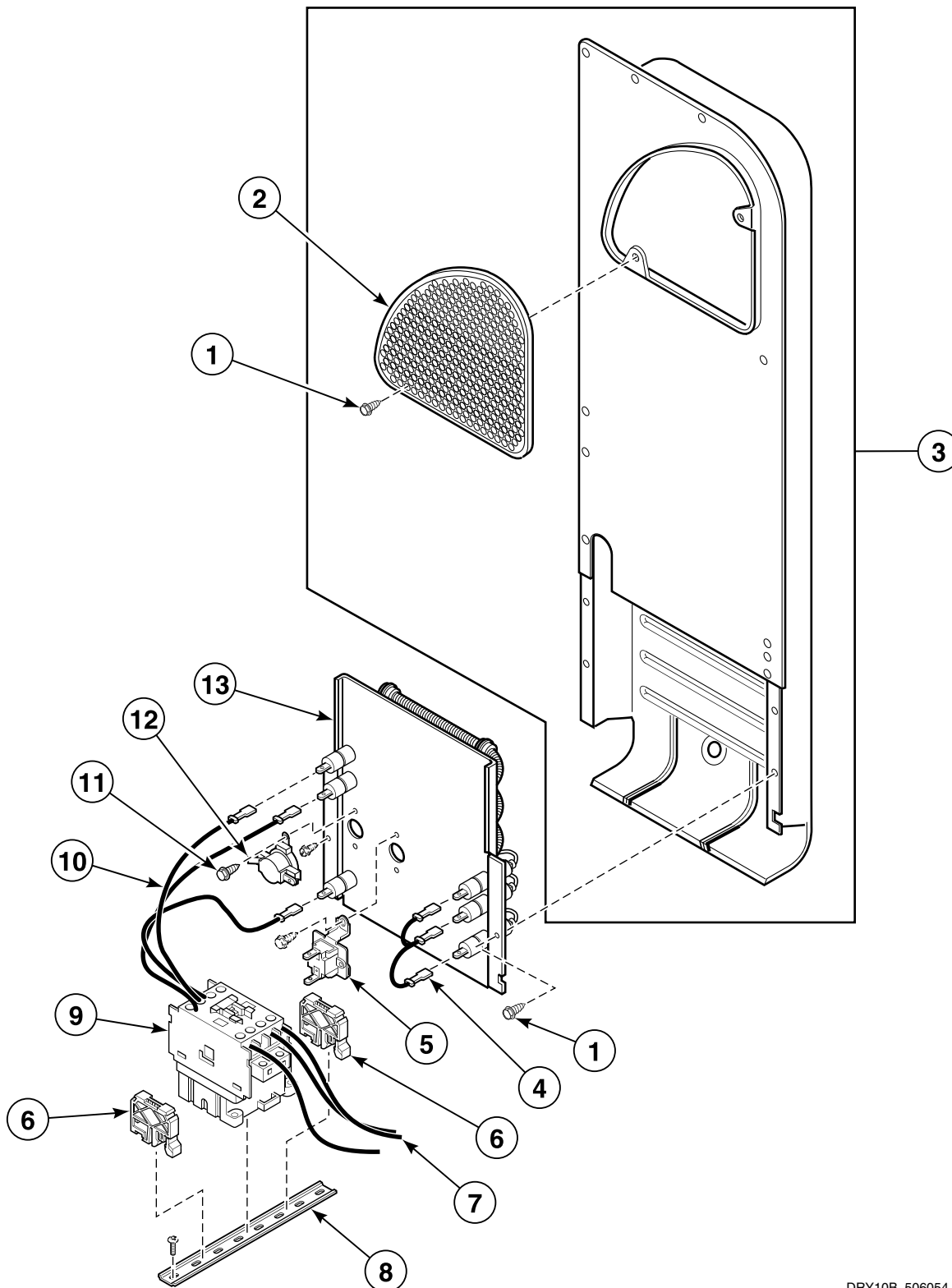
## Heater Duct and Element Assembly - 1 Phase Models

REF	PART NO.	DESCRIPTION	COMMENTS
1	503688	Screw	
2	500820	Outlet Cover	
3	510025P	Heater Duct and Screw Assembly	Includes items 1 and 2
4	510528	Wire Assembly	Orange; Thermostat jumper; Attaches to heater assembly
5	510527	Wire Assembly	Black; Fuse jumper; Attaches to heater assembly
6	511412	Thermal Fuse Assembly	
7	23222	Screw	
8	510700	Limit Thermostat	Models LES17A*F4500, LES17A*M4588, LES27A*G4500, LES27A*G4518, LES33A*F4562 and LEZ37A*G5618
	510701	Limit Thermostat	All other models
9	510326P	Heater Assembly	240 Volt; 4.8 kW; Models FEN17A*G3018, LEN27A*G3008, LEN27A*G3018, LEN37A*G3018, LES17A*F3000, LES17A*F3022, LES27A*G3018, LES37A*F3000, LES37A*F3028, LES37A*G3018, LEZ27A*G3018, LEZ37A*F3000 and LEZ37A*G3018
	510327P	Heater Assembly	240 Volt; 4 kW; Models ADE3TFWS431AW01, ADE3TRWS431AW01, ADE32FSS431AN01, FES17A*F4350, LEG37A*F4350, LEK37A*F4350 and LES37A*F4350
	510328P	Heater Assembly	240 Volt; 3.1 kW; Models LES17A*F4500, LES17A*M4588, LES27A*G4500, LES27A*G4518 and LES33A*F4562
	511503P	Heater Assembly	240 Volt; 2.8 kW; Model LEZ37A*G5618
	510324P	Heater Assembly	240 Volt; 5 kW; All other models
10	966P3	Heater Kit	Includes items 4-9; All models except ADE3TFWS431AW01, ADE3TRWS431AW01, ADE32FSS431AN01, FEN17A*G3018, FES17A*F4350, LEG37A*F4350, LEK37A*F4350, LEN27A*G3008, LEN27A*G3018, LEN37A*G3018, LES17A*F3000, LES17A*F3022, LES17A*F4500, LES17A*M4588, LES27A*G3018, LES27A*G4500, LES27A*G4518, LES33A*F4562, LES37A*F3000, LES37A*F3028, LES37A*F4350, LES37A*G3018, LEZ27A*G3018, LEZ37A*F3000, LEZ37A*G3018 and LEZ37A*G5618

\* Add Letter To Designate Color. G - Gray L - Almond Q - Bisque W - White

# Heater Duct and Element Assembly - 3 Phase Models

Models FEN16A\*G4018, FEN17A\*G4018, FES16A\*G4018, LEN27A\*G4008, LEN27A\*G4018, LEN27A\*G99M3, LEN37A\*G4018, LES27A\*G4000, LES27A\*G4018, LES28A\*G4018, LES37A\*G4018, LEZ27A\*G4018 and LEZ37A\*G4018



DRY10B\_506054

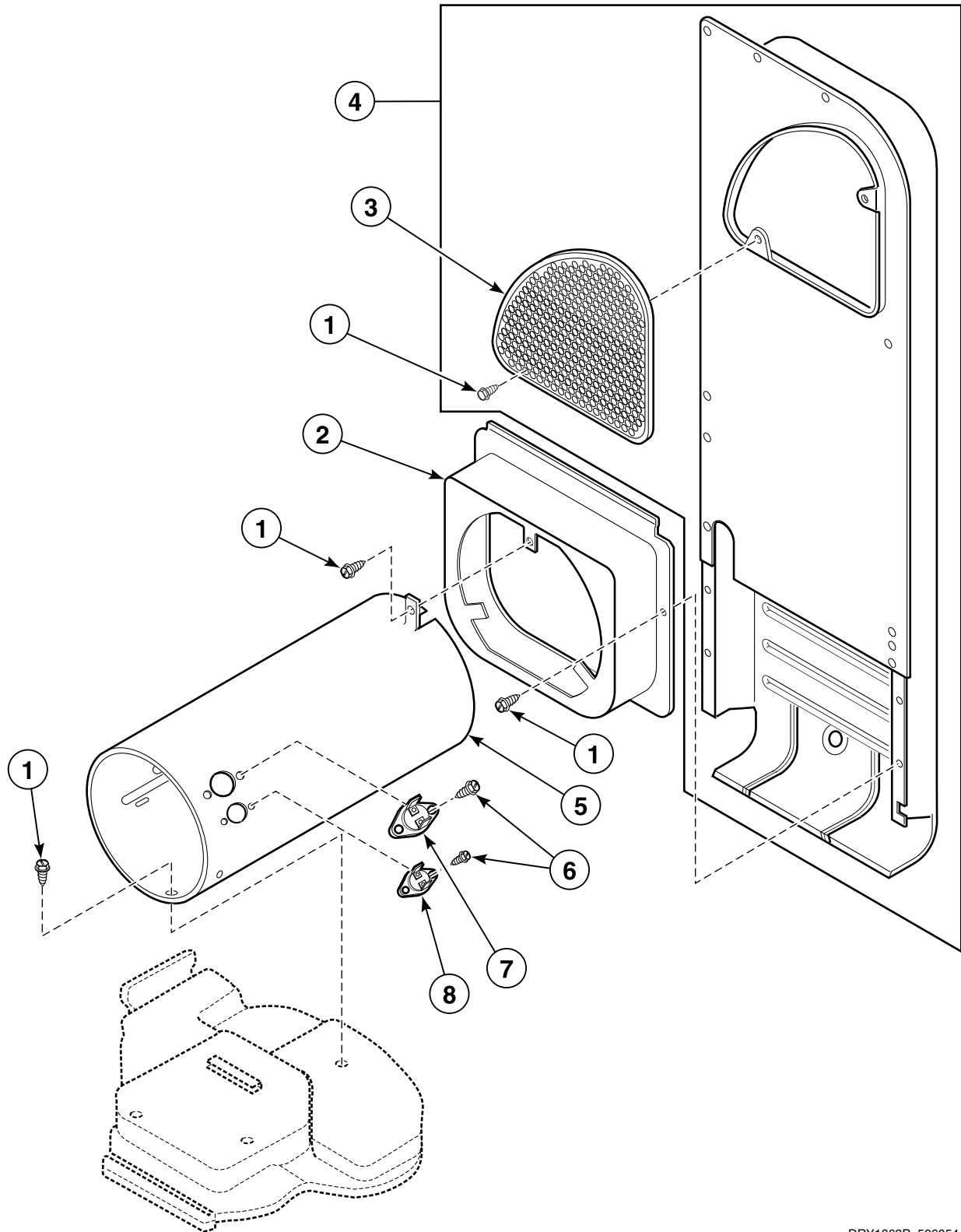
## Heater Duct and Element Assembly - 3 Phase Models

REF	PART NO.	DESCRIPTION	COMMENTS
	756P3	Conversion Kit	400 Volt, 4 wire WYE to 240 Volt, 3 wire Delta
<b>1</b>	503688	Screw	
<b>2</b>	500820	Outlet Cover	
<b>3</b>	510025P	Heater Duct and Screw Assembly	Includes items 1 and 2
<b>4</b>	511270	Jumper Wire Assembly	3 Phase
<b>5</b>	511412	Thermal Fuse Assembly	
<b>6</b>	70121001	End Stop	
<b>7</b>	511112P	Block to Relay Harness	
<b>8</b>	M412693	Din Rail	
<b>9</b>	F330177P	Contactora	
<b>10</b>	511114P	Relay to Heater Harness	
<b>11</b>	23222	Screw	
<b>12</b>	510701	Limit Thermostat	
<b>13</b>	511014P	Heater	400 Volt/3 Phase

\* Add Letter To Designate Color. G - Gray L - Almond Q - Bisque W - White

# Heater Duct Assembly

Gas Models



DRY1863P\_506054



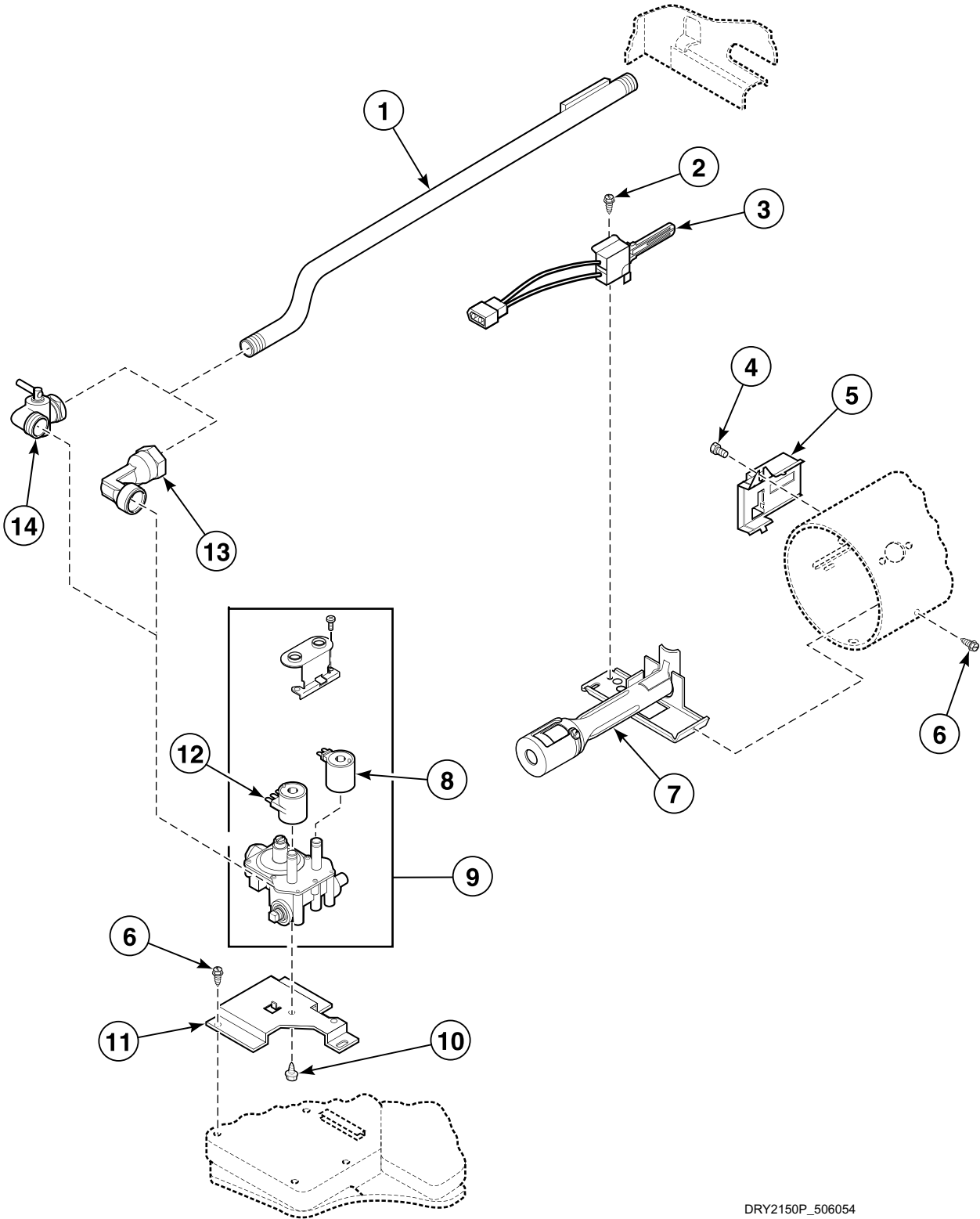
# Heater Duct Assembly

REF	PART NO.	DESCRIPTION	COMMENTS
1	503688	Screw	
2	510101	Heat Duct Shroud	
3	500820	Outlet Cover	
4	510025P	Heater Duct and Screw Assembly	Includes items 1 and 3
5	510132	Combustion Duct	Models LGG37A*F3058, LGK37A*F3058 and LGS37A*F3058
	510131	Combustion Duct	All other models
6	51782	Screw	
7	510702	Limit Thermostat	Auto reset; Black
8	510703	Thermostat	Manual reset; Models LGG37A*F3058, LGK37A*F3058 and LGS37A*F3058

\* Add Letter To Designate Color. G - Gray L - Almond Q - Bisque W - White

# Gas Valve and Igniter

All Gas Models Except LGG37A\*F3058, LGK37A\*F3058, LGS37A\*F3058, LGS37A\*G3013, LGS37A\*G3080 and LGZ37A\*G3013



DRY2150P\_506054

# Gas Valve and Igniter

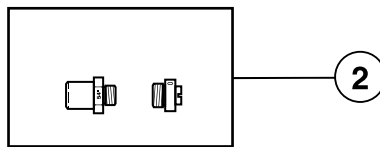
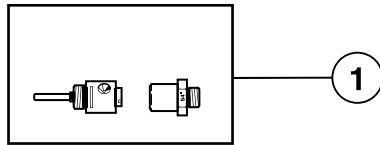
REF	PART NO.	DESCRIPTION	COMMENTS
1	510204	Lead-In Pipe Assembly	
2	51782	Screw	
3	510184P	Igniter and Bracket Assembly	
4	23222	Screw	
5	510213	Sensor	
6	503688	Screw	
7	510149P	Burner Assembly	
8	58804B	Secondary Coil	60 Hertz; Models AGZ17A*F1102, AGZ28A*F1102, AGZ68A*F1102, BDG30FGS111CW01, CDG3LRGS111CW01, CDG4BFGS111CW01, CGZ68A*F1102, FGZ17A*F1102, LGH37A*F1182, LGS17A*K1180, LGS37A*F5412, LGT57A*F1100, LGT68A*F1100, LGY47A*F1109, LGZ27A*F1102, LGZ37A*F1102, LGZ57A*F1102, LGZ67A*F1102, ZDG30RGS111CW01, ZDG3LRGS111CW01, ZDG41FSS111CN01, ZDG4BFGS111CW01 and ZDG4BRGS111CW01
	59063B	Secondary Coil	50 Hertz; All other models
9	510506P	Gas Valve Assembly	60 Hertz; 22,500 Btu; Models ADG32FSS301AN01, AGZ17A*F1102, AGZ28A*F1102, AGZ68A*F1102, BDG30FGS111CW01, CDG3LRGS111CW01, CDG4BFGS111CW01, CGZ68A*F1102, FGZ17A*F1102, LGS17A*K1180, LGS37A*F5412, LGT57A*F1100, LGT68A*F1100, LGY47A*F1109, LGZ27A*F1102, LGZ37A*F1102, LGZ57A*F1102, LGZ67A*F1102, ZDG30RGS111CW01, ZDG3LRGS111CW01, ZDG41FSS111CN01, ZDG4BFGS111CW01 and ZDG4BRGS111CW01
	N/A	Gas Valve Assembly	L.P.; 60 Hertz; Models LGH37A*F1182 and LGS37A*F5423
	59063P	Gas Valve Assembly	50 Hertz; 20,000 Btu; For L.P. models, order 401P3 L.P. Conversion Kit when ordering gas valve assembly; All other models
10	56124	Screw	
11	510128	Gas Valve Mounting Bracket	
12	58804A	Booster and Holding Coil	60 Hertz; Models AGZ17A*F1102, AGZ28A*F1102, AGZ68A*F1102, BDG30FGS111CW01, CDG3LRGS111CW01, CDG4BFGS111CW01, CGZ68A*F1102, FGZ17A*F1102, LGH37A*F1182, LGS17A*K1180, LGS37A*F5412, LGS37A*F5423, LGT57A*F1100, LGT68A*F1100, LGY47A*F1109, LGZ27A*F1102, LGZ37A*F1102, LGZ57A*F1102, LGZ67A*F1102, ZDG30RGS111CW01, ZDG3LRGS111CW01, ZDG41FSS111CN01, ZDG4BFGS111CW01 and ZDG4BRGS111CW01
	59063A	Booster and Holding Coil	50 Hertz; All other models
13	513072	Brass Elbow	Models AGZ17A*F1102, AGZ28A*F1102, AGZ68A*F1102 and CGZ68A*F1102 starting Serial No. 080601; Models ADG32FSS301AN01, LGS37A*F5423, ZDG30RGS111CW01, ZDG3LRGS111CW01, ZDG41FSS111CN01, ZDG4BFGS111CW01 and ZDG4BRGS111CW01
14	510205	Elbow Shut-Off Valve	Models AGZ17A*F1102, AGZ28A*F1102, AGZ68A*F1102 and CGZ68A*F1102 through Serial No. 080600 and all other models

\* Add Letter To Designate Color. G - Gray L - Almond Q - Bisque W - White

N/A = Part no longer available

# Gas Conversion Kits

All Gas Models Except LGG37A\*F3058, LGK37A\*F3058, LGS37A\*F3058,  
LGS37A\*G3013, LGS37A\*G3080 and LGZ37A\*G3013



DRY2151P\_506054

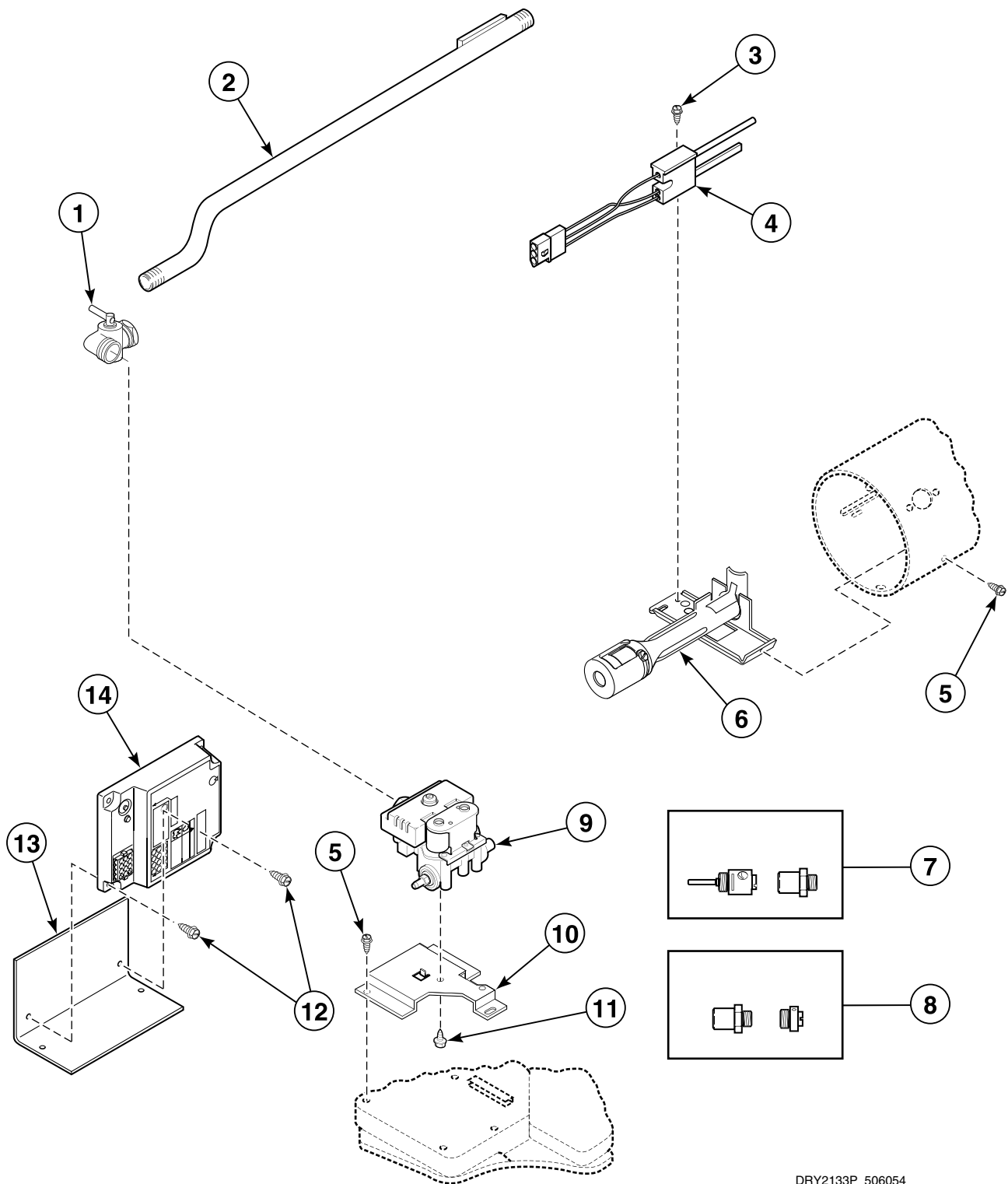
## Gas Conversion Kits

REF	PART NO.	DESCRIPTION	COMMENTS
1	599P3	L.P. Conversion Kit	Used to convert dryers from Natural Gas (N.G.) or Mixed Gas to Liquid Petroleum Gas (L.P.) for 20,000 Btu; Models FGN16A*M3013, FGN17A*M3013, LGN27A*M3008, LGN27A*M3013, LGN37A*M3013, LGS17A*F3020, LGS17A*M3020, LGS17A*M3082, LGS27A*M3013, LGS27A*M3080, LGS37A*M3013, LGS37A*M3080, LGS38A*M3013, LGS38A*M3020, LGS40A*M3020, LGZ27A*M3013 and LGZ37A*M3013
	401P3	L.P. Conversion Kit	Used to convert dryers from N.G. or Mixed Gas to L.P. for 20,000 Btu; Models ADG3TFWS301AW01, ADG3TRWS301AW01, ADG32FSS301AN01, FGS17A*F3060, LGK37A*F3060, LGS17A*F3081, LGS37A*F3000, LGS37A*F3022, LGS37A*F3028, LGS37A*F3060, LGS37A*F3080 and LGZ37A*F3000
	649P3	L.P. Conversion Kit	Used to convert dryers from N.G. or Mixed Gas to L.P. for 22,500 Btu; All other models
2	402P3	N.G. Conversion Kit	Used to convert dryers from L.P. to N.G. or Mixed Gas for 20,000 Btu; Models ADG3TFWS301AW01, ADG3TRWS301AW01, ADG32FSS301AN01, FGS17A*F3060, LGK37A*F3060, LGS17A*F3081, LGS37A*F3000, LGS37A*F3022, LGS37A*F3028, LGS37A*F3060, LGS37A*F3080 and LGZ37A*F3000
	650P3	N.G. Conversion Kit	Used to convert dryers from L.P. to N.G. or Mixed Gas for 22,500 Btu; Models AGZ17A*F1102, AGZ28A*F1102, AGZ68A*F1102, BDG30FGS111CW01, CDG3LRGS111CW01, CDG4BFGS111CW01, CGZ68A*F1102, FGZ17A*F1102, LGH37A*F1182, LGS17A*K1180, LGS37A*F5412, LGS37A*F5423, LGT57A*F1100, LGT68A*F1100, LGY47A*F1109, LGZ27A*F1102, LGZ37A*F1102, LGZ57A*F1102, LGZ67A*F1102, ZDG30RGS111CW01, ZDG3LRGS111CW01, ZDG41FSS111CN01, ZDG4BFGS111CW01 and ZDG4BRGS111CW01

\* Add Letter To Designate Color. G - Gray L - Almond Q - Bisque W - White

# Gas Valve, Igniter, Ignition Control and Gas Conversion Kits

Models LGG37A\*F3058, LGK37A\*F3058, LGS37A\*F3058, LGS37A\*G3013, LGS37A\*G3080 and LGZ37A\*G3013



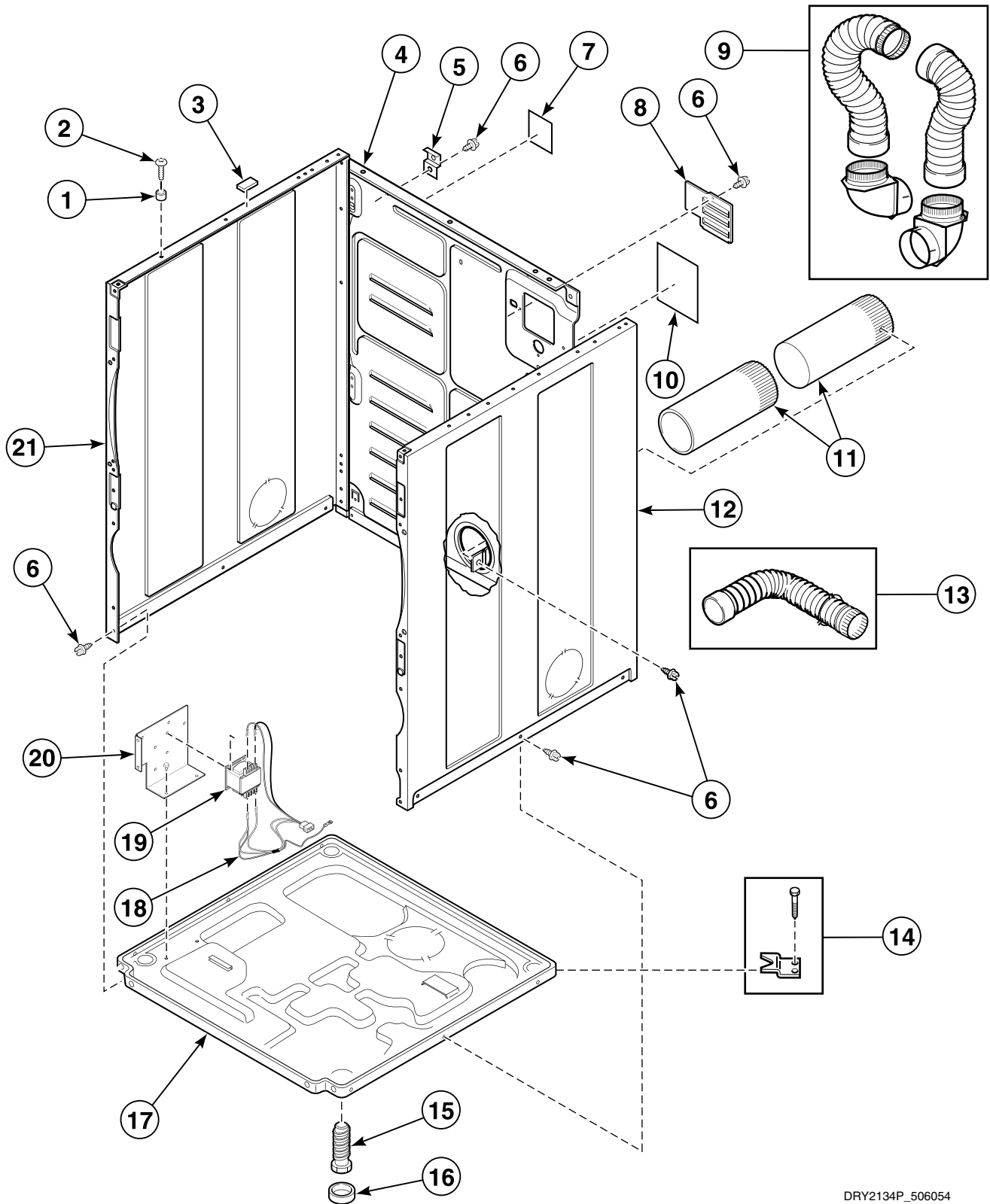
DRY2133P\_506054

## Gas Valve, Igniter, Ignition Control and Gas Conversion Kits

REF	PART NO.	DESCRIPTION	COMMENTS
1	510205	Elbow Shut-Off Valve	
2	510204	Lead-In Pipe Assembly	
3	51782	Screw	
4	502995P	Igniter and Sensor Assembly	
5	503688	Screw	
6	510149P	Burner Assembly	
7	599P3	L.P. Conversion Kit	Natural Gas (N.G.) to Liquid Petroleum Gas (L.P.); Models LGS37A*G3013, LGS37A*G3080 and LGZ37A*G3013
	401P3	L.P. Conversion Kit	N.G. to L.P.; 20,000 Btu; All other models
8	402P3	N.G. Conversion Kit	L.P. to N.G.; 20,000 Btu; All other models
9	502423P	Gas Valve Assembly	Includes 502423A Main and Redundant Coil
10	510128	Gas Valve Mounting Bracket	
11	56124	Screw	
12	502535	Screw	
13	502425	Ignition Control Bracket	
14	502994P	Igniter Control	

\* Add Letter To Designate Color. L - Almond Q - Bisque W - White

# Cabinet, Exhaust Duct and Base



DRY2134P\_506054

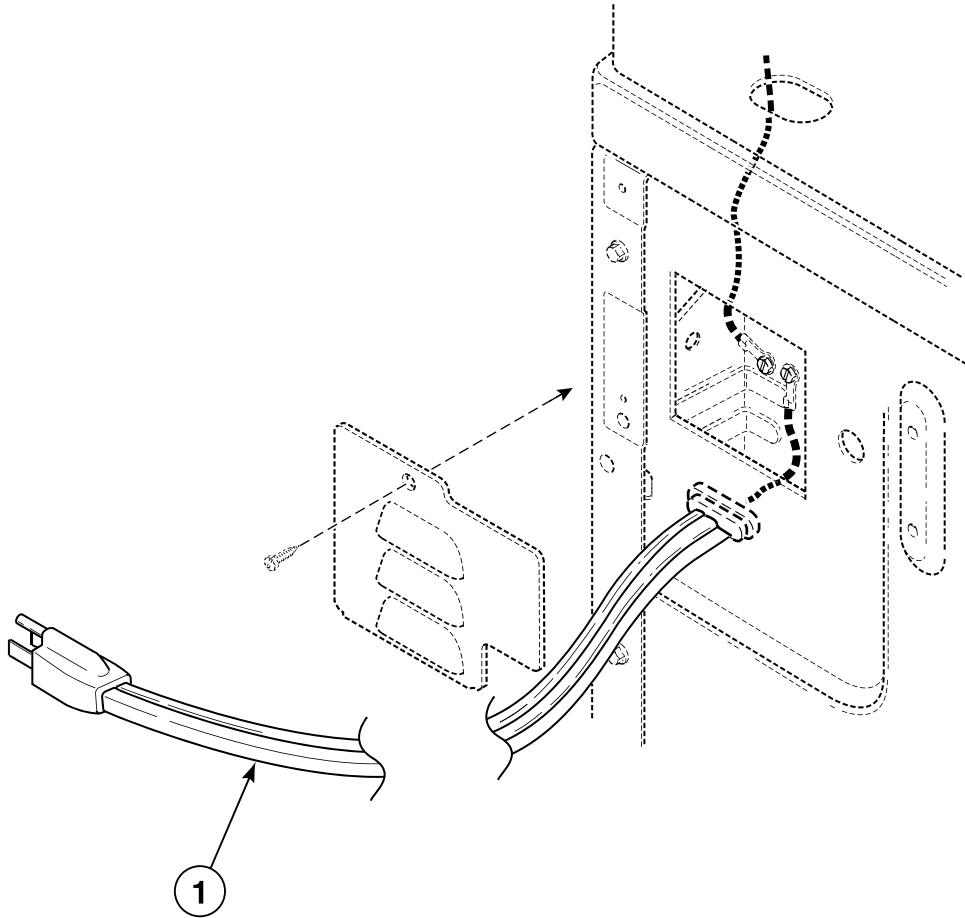


## Cabinet, Exhaust Duct and Base

REF	PART NO.	DESCRIPTION	COMMENTS
1	56079	Panel Locator	
2	512921	Screw	Models ADE32FSS431AN01, ADE32FSS541RN01, ADG32FSS301AN01, ZDE41FSS171CN01 and ZDG41FSS111CN01
	39733	Screw	All other models
3	56128	Bumper Pad	
4	510005P	Cabinet Rear Panel	
5	510136	Top Hinge	
6	503688	Screw	
7	511004	Gas Clearance Label	Gas models
8	510903	Access Panel Plate	
9	521P3	Flexible Venting Kit	
10	511005	Electric Clearance Label	Electric models
11	510137	Exhaust Duct	Each dryer requires 2 pieces
12	512952	Cabinet Side Panel	Right; Models ADE32FSS431AN01, ADE32FSS541RN01, ADG32FSS301AN01, ZDE41FSS171CN01 and ZDG41FSS111CN01
	510002WP	Cabinet Side Panel	White; Right; All other models
	510002LP	Cabinet Side Panel	Almond; Right; All other models
	510002QP	Cabinet Side Panel	Bisque; Right; All other models
	510002GP	Cabinet Side Panel	Gray; Right; All other models
13	528P3	Directional Exhaust Kit	Used to vent dryer out the sides or bottom
14	526P3	Hold Down Kit	For mobile home installations
15	510135	Leveling Leg	
16	501855	Rubber Foot	
17	510084	Dryer Base	
18	511303	Wire Harness Assembly	Transformer adapter; Includes 502592 Fuse (3.15 Amp, 250 Volt); Models ADG3TFWS301AW01, ADG32FSS301AN01, FGN16A*M3013, FGN17A*M3013 and FGS17A*F3060
19	511658P	Transformer Kit	Includes item 18; Models ADG3TFWS301AW01, ADG32FSS301AN01, FGN16A*M3013, FGN17A*M3013 and FGS17A*F3060
20	511859	Contacto Bracket	Models ADG3TFWS301AW01, ADG32FSS301AN01, FGN16A*M3013, FGN17A*M3013 and FGS17A*F3060
21	512951	Cabinet Side Panel	Left; Models ADE32FSS431AN01, ADE32FSS541RN01, ADG32FSS301AN01, ZDE41FSS171CN01 and ZDG41FSS111CN01
	510001WP	Cabinet Side Panel	White; Left; All other models
	510001LP	Cabinet Side Panel	Almond; Left; All other models
	510001QP	Cabinet Side Panel	Bisque; Left; All other models
	510001GP	Cabinet Side Panel	Gray; Left; All other models

\* Add Letter To Designate Color. G - Gray L - Almond Q - Bisque W - White

# Power Cord



DRY1866PA\_506054

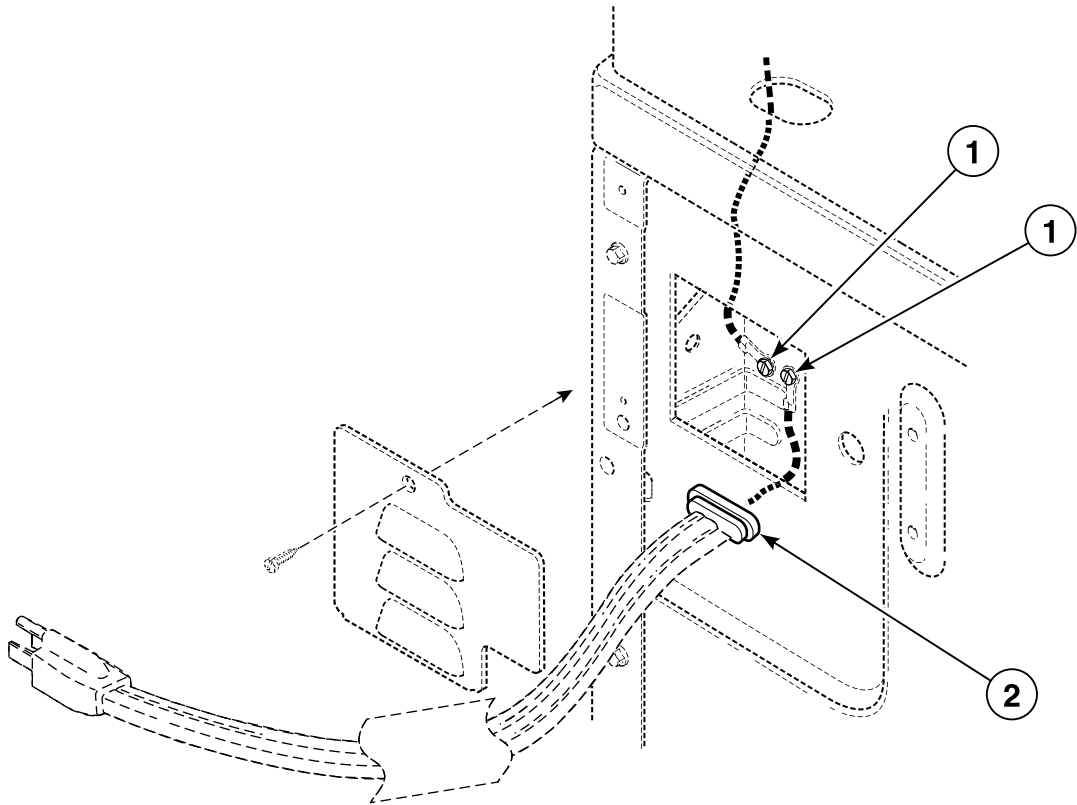
# Power Cord

REF	PART NO.	DESCRIPTION	COMMENTS
1	510505P	Lead-In Cord Assembly	Models AEZ17A*F1702, AEZ28A*F1702, AEZ68A*F1702, BDE30FGS171CW01, CDE3LRGS171CW01, CDE4BFGS171CW01, CEZ68A*F1702, FEZ17A*F1702, LEB07A*F1709, LED17A*F1700, LET57A*F1700, LET67A*F1700, LET68A*F1700, LEY47A*F1709, LEZ27A*F1702, LEZ37A*F1702, LEZ57A*F1702, LEZ67A*F1702, ZDE30RGS171CW01, ZDE3LRGS171CW01, ZDE41FSS171CN01, ZDE4BFGS171CW01 and ZDE4BRGS171CW01
	61605P	Lead-In Cord Kit	Models ADE3TFWS431AW01, ADE3TRWS431AW01, ADE32FSS431AN01, FES17A*F4350, LEG37A*F4350, LEK37A*F4350 and LES37A*F4350
	N/A	Lead-In Cord	Models LGG37A*F3058, LGK37A*F3058, LGK37A*F3060, LGS37A*F3022, LGS37A*F3058, LGS37A*F3080, LGS37A*G3013, LGS37A*G3080 and LGZ37A*G3013
	503597	Lead-In Cord Assembly	Models FEN17A*G3018, LEN27A*G3008, LEN27A*G3018, LEN37A*G3018, LES27A*G3018, LES27A*G4518, LES37A*G3018, LEZ27A*G3018, LEZ37A*F3000, LEZ37A*G3018, LEZ37A*G5618 and LGN27A*M3008
	56222	Lead-In Cord	Models AGZ17A*F1102, AGZ28A*F1102, AGZ68A*F1102, BDG30FGS111CW01, CDG3LRGS111CW01, CDG4BFGS111CW01, CGZ68A*F1102, FGZ17A*F1102, LGH37A*F1182, LGS17A*K1180, LGT57A*F1100, LGT68A*F1100, LGY47A*F1109, LGZ27A*F1102, LGZ37A*F1102, LGZ57A*F1102, LGZ67A*F1102, ZDG30RGS111CW01, ZDG3LRGS111CW01, ZDG41FSS111CN01, ZDG4BFGS111CW01 and ZDG4BRGS111CW01
	505759	Lead-In Cord	Model LES33A*F4562
	59373	Lead-In Cord	Models LES17A*M4588, LGS17A*F3020, LGS17A*F3081, LGS17A*M3020, LGS37A*F5412, LGS37A*F5423, LGS38A*M3020 and LGS40A*M3020
	506081	Power Cord Assembly	Models FGN16A*M3013, FGN17A*M3013, LGN27A*M3008, LGN27A*M3013, LGN37A*M3013, LGS27A*M3013, LGS27A*M3080, LGS37A*M3013, LGS37A*M3080, LGS38A*M3013, LGZ27A*M3013 and LGZ37A*M3013
	505945	Power Cord Assembly	Model LGS37A*F3028
	506106	Lead-In Cord Assembly	Models LEN27A*G4008, LEN27A*G99M3 and LES27A*G4000
	512019	Lead-In Cord	Models ADG3TFWS301AW01, ADG3TRWS301AW01, ADG32FSS301AN01, FGS17A*F3060 and LGS37A*F3060

\* Add Letter To Designate Color. G - Gray L - Almond Q - Bisque W - White

N/A = Part no longer available

# Strain Relief



DRY1866PB\_506054

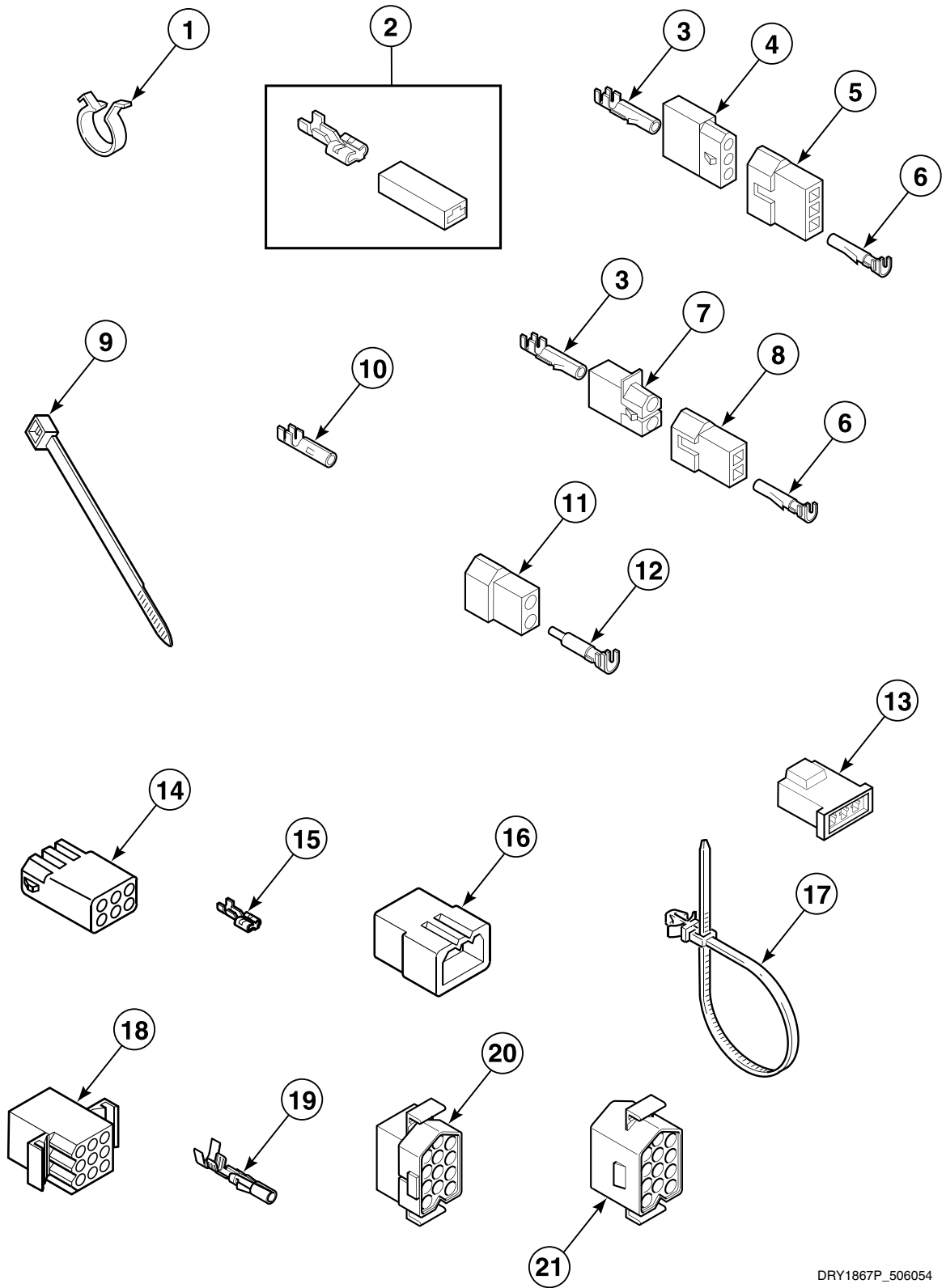
# Strain Relief

REF	PART NO.	DESCRIPTION	COMMENTS
	502496	Strain Relief Adapter	
1	513071	Screw	Models ADE32FSS431AN01, ADE32FSS541RN01, ADG32FSS301AN01 and LGS40A*M3020
	20530	Screw	All other models
2	52113	Strain Relief	Models ADE3TFWS431AW01, ADE3TRWS431AW01, ADE32FSS431AN01, FEN17A*G3018, FES17A*F4350, LEG37A*F4350, LEK37A*F4350, LEN27A*G3008, LEN27A*G3018, LEN37A*G3018, LES27A*G3018, LES27A*G4518, LES33A*F4562, LES37A*F4350, LES37A*G3018, LEZ27A*G3018, LEZ37A*G3018, LEZ37A*G5618, LGS17A*F3020, LGS17A*F3081, LGS37A*F5412 and LGS37A*F5423
	60298	Strain Relief	Models ADG3TRWS301AW01, LGK37A*F3060 and LGS37A*F3060
	N/A	Strain Relief	Models LGG37A*F3058, LGK37A*F3058 and LGS37A*F3058
	38384	Strain Relief	Models AGZ17A*F1102, AGZ28A*F1102, AGZ68A*F1102, BDG30FGS111CW01, CDG3LRGS111CW01, CDG4BFGS111CW01, CGZ68A*F1102, FGZ17A*F1102, LGH37A*F1182, LGS17A*K1180, LGS37A*F3028, LGT57A*F1100, LGT68A*F1100, LGY47A*F1109, LGZ27A*F1102, LGZ37A*F1102, LGZ57A*F1102, LGZ67A*F1102, ZDG30RGS111CW01, ZDG3LRGS111CW01, ZDG41FSS111CN01, ZDG4BFGS111CW01 and ZDG4BRGS111CW01
	502500	Strain Relief	Models FGN16A*M3013, FGN17A*M3013, LES17A*M4588, LGN27A*M3013, LGN37A*M3013, LGS17A*M3020, LGS17A*M3082, LGS27A*M3013, LGS27A*M3080, LGS37A*G3013, LGS37A*G3080, LGS37A*M3013, LGS37A*M3080, LGS38A*M3013, LGS38A*M3020, LGS40A*M3020, LGZ27A*M3013, LGZ37A*G3013 and LGZ37A*M3013

\* Add Letter To Designate Color. G - Gray L - Almond Q - Bisque W - White

N/A = Part no longer available

# Terminal Block and Terminals

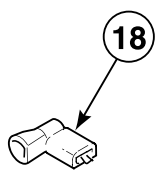
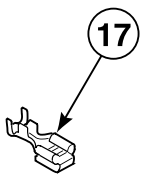
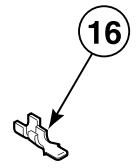
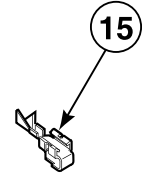
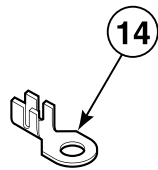
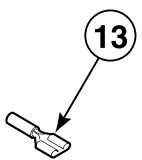
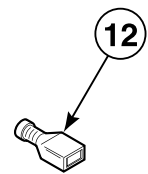
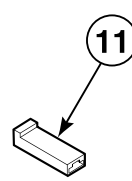
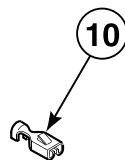
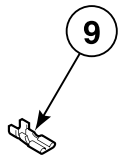
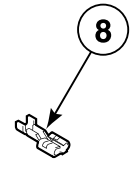
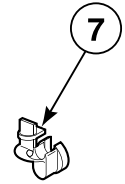
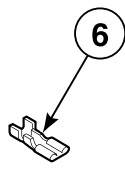
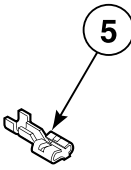
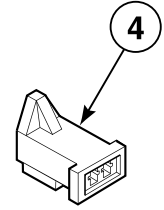
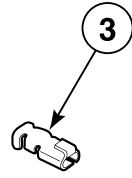
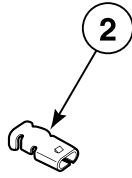
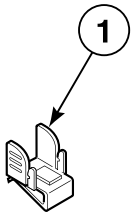


DRY1867P\_506054

## Terminal Block and Terminals

REF	PART NO.	DESCRIPTION	COMMENTS
1	504034	Wire Clip	
	687500	Wire Clip	
2	00360	Ultra Pod Terminal	(1) 12 gauge wire or (2) 18 gauge wires
3	00117	Female Pin Terminal	
4	23039	3 Circuit Receptacle	
5	23040	Plug	
6	00116	Male Pin Terminal	
7	56451	2 Circuit Receptacle	
8	56448	2 Circuit Plug	
9	55881	Harness Strap	
10	00130	Female Pin Terminal	1/8 inch
11	56266	2 Circuit Plug	
12	00127	Male Pin Terminal	1/8 inch
13	58800	3 Circuit Connector	
14	26708	6 Circuit Receptacle	
15	00222	Female Spade Terminal	1/4 inch
16	23033	9 Circuit Plug	
17	38663	Wire Tie	
18	26163	9 Circuit Receptacle	
19	00128	Female Pin Terminal	1/8 inch
	00129	Male Pin Terminal	1/8 inch
20	54522	Plug	
21	56855	12 Circuit Receptacle	

# Terminals



D322P\_506054

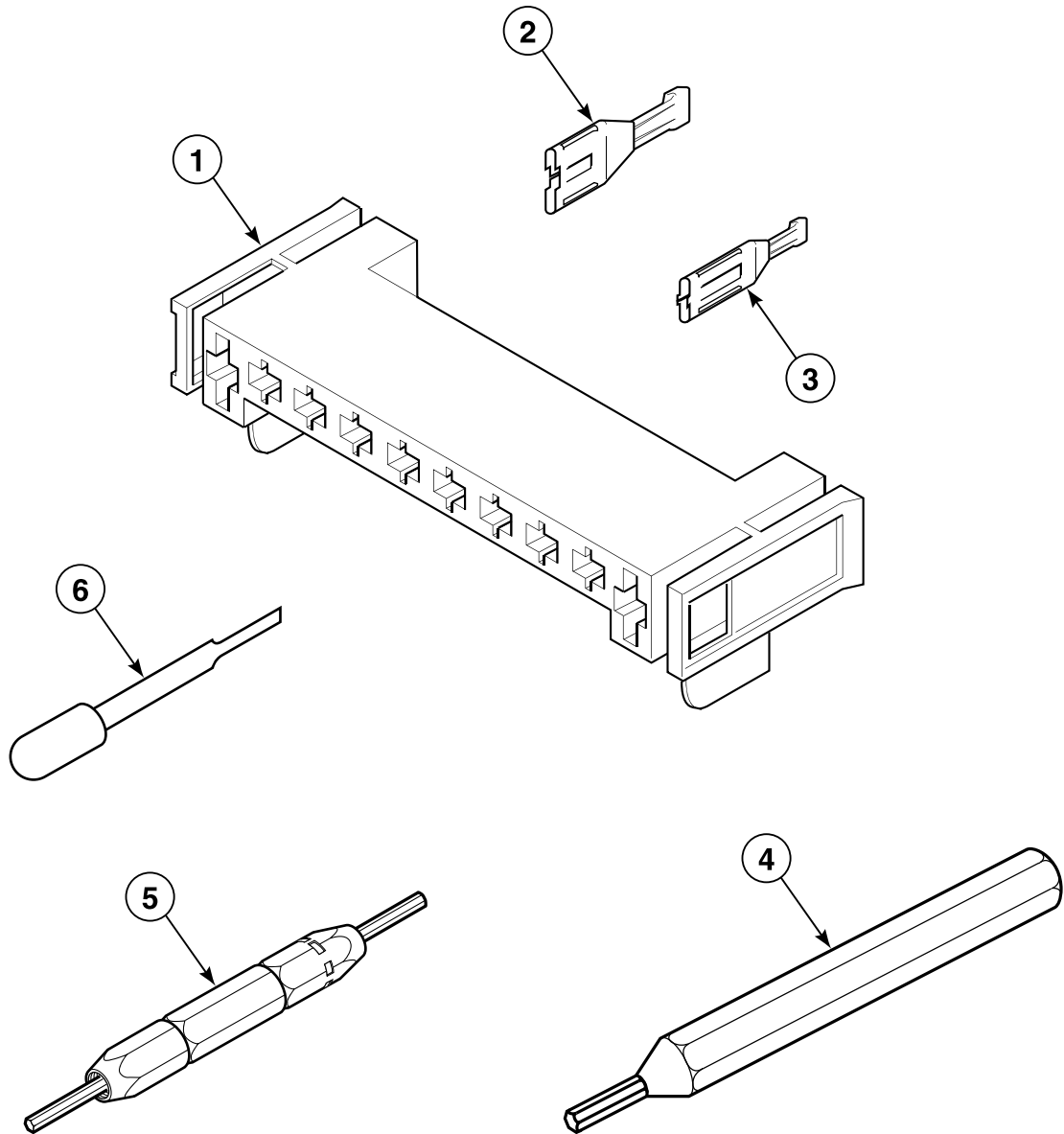


# Terminals

REF	PART NO.	DESCRIPTION	COMMENTS
1	00161	Grounding Clip	
2	00189	Female Spade Terminal	
3	00361	Female Piggyback Terminal	Receptacle connector
4	58799	2 Circuit Connector	
5	00223	Female Spade Terminal	1/4 inch; (1) 18 gauge wire
	00121	Female Spade Terminal	1/4 inch; (2) 18 gauge wires or (1) 12 gauge wire
	00245	Spade Terminal	1/4 inch; (1) 22 gauge wire
6	00124	Female Spade Terminal	3/16 inch; (1) 18 gauge wire; .020 tab
	00156	Female Spade Terminal	3/16 inch; Thermostat wire; .032 tab
	N/A	Female Spade Terminal	3/16 inch; (2) 18 gauge wires; .020 tab
7	38384	Strain Relief	
8	N/A	Terminal	
9	00347	Terminal	
10	00115	Female Spade Terminal	1/4 inch; (1) 18 gauge wire
	N/A	Female Spade Terminal	1/4 inch; (2) 18 gauge wires or (1) 12 gauge wire
11	90789	Receptacle Housing	
12	00359	Ultra Pod Terminal	1/4 inch
	00165	Insulated Female Terminal	3/16 inch
13	N/A	Pre-Insulated Spade Terminal	1/4 inch; 12 gauge and 18 gauge wire
14	00110	Ring Terminal	10 stud; (1) 18 gauge wire
	00111	Ring Terminal	10 stud; (2) 18 gauge wires or (1) 12 gauge wire
15	00114	Female Spade Terminal	1/4 inch; Double connector
16	00139	Male Tab Terminal	1/4 inch; (2) 18 gauge wires or (1) 12 gauge wire
17	00344	Female Tab Terminal	
18	N/A	Flag Insulated Terminal	

**N/A = Part no longer available**

# Motor Connection Block, Terminal Extractor Tools

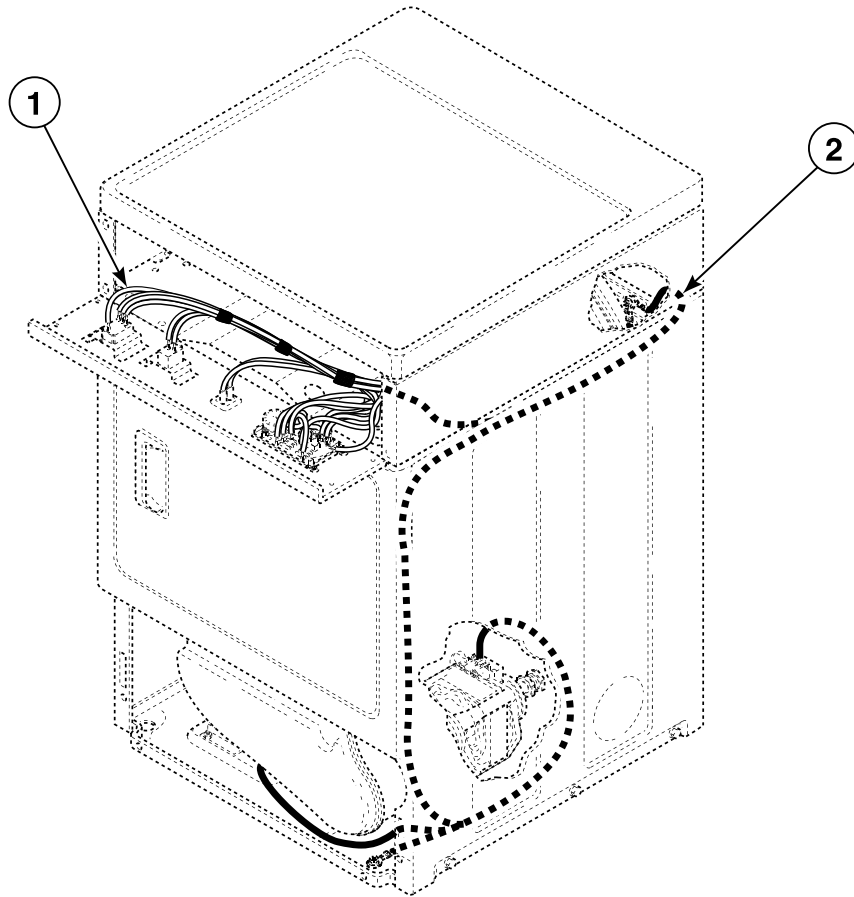


DRY1877P\_506054

## Motor Connection Block, Terminal Extractor Tools

REF	PART NO.	DESCRIPTION	COMMENTS
1	500338	10 Position Housing	
2	00255	Female Terminal	1/4 inch; For (1) 12 gauge wire
	00256	Female Terminal	1/4 inch; For (1) or (2) 18 gauge wires
3	00188	Female Terminal	For 1 or 2 wire application
4	128P4	Extractor Tool	For use on gas dryer terminals
5	190P4	Extractor Tool	For use on electric dryer terminals
6	283P4	Terminal Extractor Tool	For use on Molex connectors

# Wire Harnesses and Wires - Front Control Models



DRY2046P\_506054

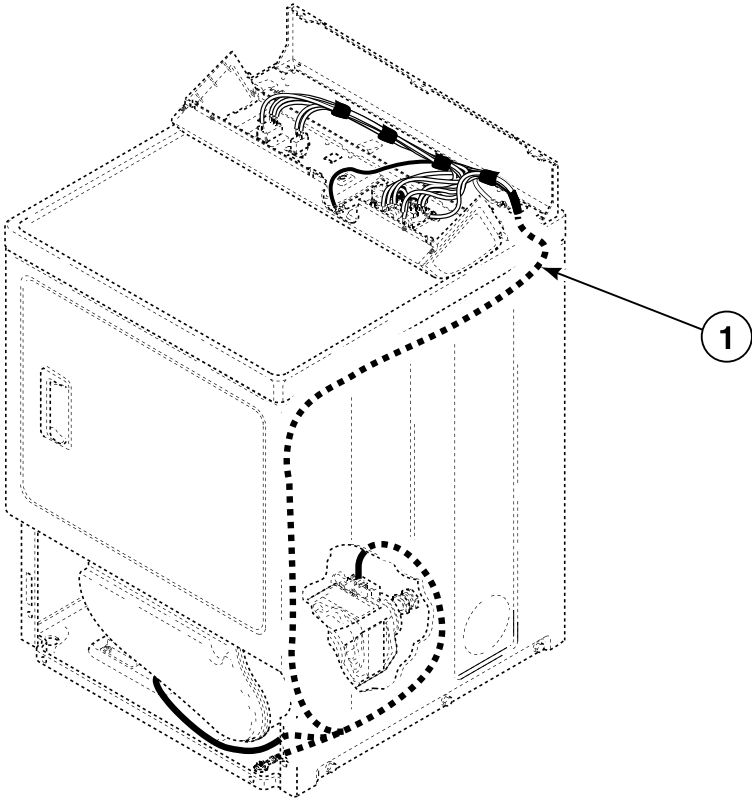
## Wire Harnesses and Wires - Front Control Models

REF	PART NO.	DESCRIPTION	COMMENTS
	45380	12 Gauge Wire	Orange; Order wire by the foot; Order terminals and connectors as required
	45001	18 Gauge Wire	Black; Order wire by the foot; Order terminals and connectors as required
<b>1</b>	511323	Security Cabinet Harness Assembly	Models BDG30FGS111CW01 and FGZ17A*F1102
	511324P	Security Cabinet Harness	Models BDE30FGS171CW01 and FEZ17A*F1702
	511752P	Security Cabinet Harness Assembly	Models FEN17A*G3018, FES17A*F3300 and FES17A*F4350
	511767	Security Cabinet Harness Assembly	Models ADG3TFWS301AW01 and FGS17A*F3060
	511306P	Security Cabinet Harness Assembly	Models FEN16A*G4018, FEN17A*G4018, FES16A*G4018, FGN16A*M3013 and FGN17A*M3013
	511770	Security Cabinet Harness Assembly	Models ADE32FSS431AN01, ADE32FSS541RN01, ADG32FSS301AN01, CDE4BFGS171CW01, CEZ68A*F1702, ZDE41FSS171CN01 and ZDE4BFGS171CW01
	511771	Security Cabinet Harness Assembly	Models ADG32FSS301AN01, CDG4BFGS111CW01, CGZ68A*F1102, ZDG41FSS111CN01 and ZDG4BFGS111CW01
	513384	Security Cabinet Harness Assembly	Model ADE3TFWS431AW01
<b>2</b>	511304	Wire Harness Assembly	Models FEN16A*G4018, FEN17A*G4018 and FES16A*G4018
	511329	Wire Harness Assembly	Models BDG30FGS111CW01 and FGZ17A*F1102
	511330	Wire Harness Assembly	Models BDE30FGS171CW01 and FEZ17A*F1702
	511754	Wire Harness Assembly	Models ADE3TFWS431AW01, FEN17A*G3018, FES17A*F3300 and FES17A*F4350
	511779	Wire Harness Assembly	Models ADG3TFWS301AW01 and FGS17A*F3060
	511773P	Wire Harness Assembly	Models FGN16A*M3013 and FGN17A*M3013
	511768P	Wire Harness Assembly	Models CDE4BFGS171CW01, CEZ68A*F1702, ZDE41FSS171CN01 and ZDE4BFGS171CW01
	511769P	Wire Harness Assembly	Models CDG4BFGS111CW01, CGZ68A*F1102, ZDG41FSS111CN01 and ZDG4BFGS111CW01
	513451	Wire Harness Assembly	Model ADG32FSS301AN01
	513452	Wire Harness Assembly	Models ADE32FSS431AN01 and ADE32FSS541RN01

\* Add Letter To Designate Color. G - Gray L - Almond Q - Bisque W - White

**NOTE:** Individual wires are not available separately. Order complete harness, or order wire by the foot. When applying terminals to wires, it is recommended that the terminals be soldered to the wires.

# Wire Harnesses and Wires - Rear Control Models



DRY2047P\_506054

## Wire Harnesses and Wires - Rear Control Models

REF	PART NO.	DESCRIPTION	COMMENTS
	45380	12 Gauge Wire	Orange; Order wire by the foot; Order terminals and connectors as required
	45477	12 Gauge Wire	Green/yellow stripe; Order wire by the foot; Order terminals and connectors as required
	45001	18 Gauge Wire	Black; Order wire by the foot; Order terminals and connectors as required
1	510420P	Wire Harness Assembly	Models ADE3TRWS431AW01, LEG37A*F4350, LEH37A*F3300, LEK37A*F4350, LES17A*F3000, LES17A*F3022, LES17A*F4500, LES17A*M4588, LES37A*F3000, LES37A*F3028, LES37A*F3300, LES37A*F3327, LES37A*F4350, LES37A*F5412 and LEZ37A*F3000
	510460	Wire Harness Assembly	Models LEN27A*G3008, LEN27A*G3018, LEN37A*G3018, LES27A*G3018, LES37A*G3018, LEZ27A*G3018, LEZ37A*G3018 and LEZ37A*G5618
	510444	Wire Harness Assembly	Models AEZ28A*F1702, AEZ68A*F1702, CDE3LRGS171CW01, LET57A*F1700, LET67A*F1700, LET68A*F1700, LEZ57A*F1702, LEZ67A*F1702, ZDE3LRGS171CW01 and ZDE4BRGS171CW01
	511301P	Wire Harness Assembly	Models LGN27A*M3008, LGN27A*M3013, LGN37A*M3013, LGS27A*M3013, LGS27A*M3080, LGS37A*F3028, LGS37A*M3013, LGS37A*M3080, LGZ27A*M3013 and LGZ37A*M3013
	N/A	Wire Harness Assembly	Models LEB07A*F1709, LEY47A*F1709, LGG37A*F3058, LGK37A*F3058, LGS17A*F3020, LGS17A*F3081, LGS17A*M3020, LGS17A*M3082, LGS37A*F3058, LGT57A*F1100, LGT68A*F1100, LGY47A*F1109, LGZ37A*G3013, LGZ57A*F1102 and LGZ67A*F1102
	510425P	Wire Harness Assembly	Models AGZ17A*F1102, LGS17A*K1180 and ZDG30RGS111CW01
	510423	Wire Harness Assembly	Models LGS37A*F3000, LGS37A*F3022, LGS37A*F3080, LGS37A*F5412, LGS37A*F5423 and LGZ37A*F3000
	510403	Wire Harness Assembly	Models LGH37A*F1182, LGZ27A*F1102 and LGZ37A*F1102
	510402P	Wire Harness Assembly	Models AEZ17A*F1702, LED17A*F1700, LEZ27A*F1702, LEZ37A*F1702 and ZDE30RGS171CW01
	510478	Wire Harness Assembly	Models LEN27A*G4008, LEN27A*G4018, LEN27A*G99M3, LEN37A*G4018, LES27A*G4000, LES27A*G4018, LES37A*G4018, LEZ27A*G4018 and LEZ37A*G4018
	511342	Wire Harness Assembly	Model LES28A*G4018
	511785	Wire Harness Assembly	Models LGS38A*M3013, LGS38A*M3020 and LGS40A*M3020
	511777	Wire Harness Assembly	Models AGZ28A*F1102, CDG3LRGS111CW01 and ZDG3LRGS111CW01
	510443P	Wire Harness Assembly	Models AGZ68A*F1102 and ZDG4BRGS111CW01
	511335	Wire Harness Assembly	Models ADG3TRWS301AW01, LGK37A*F3060 and LGS37A*F3060

\* Add Letter To Designate Color. G - Gray L - Almond Q - Bisque W - White

N/A = Part no longer available

**NOTE: Individual wires are not available separately. Order complete harness, or order wire by the foot. When applying terminals to wires, it is recommended that the terminals be soldered to the wires.**





# Parts Index

## A

Access Panel	
510069GP .....	23
510069LP .....	23
510069QP .....	23
510069WP .....	23
512543 .....	23
Access Panel Plate	
510903 .....	55
Adhesive	
511637P .....	31, 33, 37, 41
Adjustable Buzzer	
504103 .....	9, 15
505447 .....	9
Air Duct Assembly	
510151 .....	31, 33
512945 .....	33
Anti-Seize Compound	
27604P .....	25, 27

## B

Badge	
803013 .....	15
803101 .....	15
Block to Relay Harness	
511112P .....	45
Blower and Fan Kit	
510717P .....	25
Blower Fan Assembly	
510139P .....	27
Blower Housing and Cover Kit	
511969P .....	27
Blower Housing Seal	
510238P .....	27
Bolt	
29651 .....	11, 13, 15
Booster and Holding Coil	
58804A .....	49
59063A .....	49
Bracket	
510146 .....	17
Brass Elbow	
513072 .....	49
Bulkhead Assembly	
505899WP .....	33
Bumper Pad	
56128 .....	55
Burner Assembly	
510149P .....	49, 53
Buzzer	
510211 .....	9, 13, 15

## C

Cabinet Rear Panel	
510005P .....	55

Cabinet Side Panel	
510001GP .....	55
510001LP .....	55
510001QP .....	55
510001WP .....	55
510002GP .....	55
510002LP .....	55
510002QP .....	55
510002WP .....	55
512951 .....	55
512952 .....	55
Caution Label	
500253 .....	23
Clean Lint Label	
502804 .....	23
Combustion Duct	
510131 .....	47
510132 .....	47
Connector, 2 Circuit	
58799 .....	63
Connector, 3 Circuit	
58800 .....	61
Contactora	
F330177P .....	45
Contactora Bracket	
511859 .....	55
Control Cabinet	
803141 .....	15
803142 .....	15
Control Cabinet Bottom	
801777 .....	11, 13, 15
Control Knob Assembly	
803099P .....	15
803119 .....	7, 13
Control Panel Assembly	
511421W .....	11
512067W .....	13
513161 .....	15
Control Support Panel	
503901 .....	7
Conversion Kit	
756P3 .....	45
Cylinder Assembly	
505929P .....	35
510159WP .....	35
510265P .....	35
512940 .....	35
Cylinder Baffle	
510102 .....	35
512941 .....	35
Cylinder Belt	
511255P .....	27
Cylinder Glide	
510187 .....	31, 33
Cylinder Glide Bracket	
510145 .....	31, 33
Cylinder Light Assembly	
512109 .....	33
Cylinder Light Lens	
512106 .....	33
Cylinder Roller	
510708P .....	37, 41

N/A items do not appear in index.

Cylinder Roller Bracket 510100 .....	37, 41
Cylinder Seal Assembly 510207P .....	31, 33, 37, 41

## D

Din Rail M412693 .....	45
Directional Exhaust Kit 528P3 .....	55
Disconnect Power Warning Label 505281 .....	11, 17
Domed Label 202128 .....	11
800921 .....	11
800922 .....	11
Door Catch Assembly 510177 .....	23
Door Handle 803095 .....	19
Door Handle Wedge 510129 .....	21
Door Pull and Wedge Kit 510103LP .....	21
510103QP .....	21
510103WP .....	21
511213P .....	21
Door Strike 510181 .....	19, 21
Door Strike Mount 510127 .....	19, 21
Drum Light Lamp 503579 .....	33
Drum Light Lens 503623 .....	33
Dryer Base 510084 .....	55
Dryer Door 510013GP .....	21
510013LP .....	21
510013QP .....	21
510013WP .....	21
513156 .....	19
Drying Rack 512082P .....	35

## E

Elbow Shut-Off Valve 510205 .....	49, 53
Electric Clearance Label 511005 .....	55
Electrical Shock Label 502511 .....	11
End Panel 504006P .....	7
504007P .....	7
504008L .....	7
504008QP .....	7
504008WP .....	7
504009QP .....	7

504009WP .....	7
End Stop 70121001 .....	45
Exhaust Duct 510137 .....	55
Expansion Clip 70030501 .....	11, 13, 15
Extractor Tool 128P4 .....	65
190P4 .....	65

## F

Fabric Selector Switch 503998 .....	9
510212 .....	9, 11, 13
511492 .....	9, 15
Felt Pad 510189 .....	31, 33
Female Piggyback Terminal 00361 .....	63
Female Pin Terminal 00117 .....	61
00128 .....	61
00130 .....	61
Female Spade Terminal 00114 .....	63
00115 .....	63
00121 .....	63
00124 .....	63
00156 .....	63
00189 .....	63
00222 .....	61
00223 .....	63
Female Tab Terminal 00344 .....	63
Female Terminal 00188 .....	65
00255 .....	65
00256 .....	65
Flexible Venting Kit 521P3 .....	55
Front Bulkhead Assembly 510266P .....	31
511033WP .....	31
512476 .....	33
Front Panel 510066GP .....	23
510066LP .....	23
510066QP .....	23
510066WP .....	23
512542 .....	23
512966 .....	23
Front Panel Seal 511056 .....	23
Fuse 502592 .....	17
502593 .....	17
Fuse Carrier 502811 .....	17
Fuse Holder Bracket 502589 .....	17
Fuse Holder Kit 502591P .....	17

N/A items do not appear in index.

---

**G**

Gas Clearance Label	
511004 .....	55
Gas Valve Assembly	
502423P .....	53
510506P .....	49
59063P .....	49
Gas Valve Mounting Bracket	
510128 .....	49, 53
Graphic Overlay	
511406 .....	11
511656 .....	11
511913 .....	13
512751 .....	13
513019 .....	13
513245 .....	13
Graphic Panel	
503394 .....	5
504020W .....	5
504070W .....	5
504072QP .....	5
504072WP .....	5
504107W .....	5
504197Q .....	5
504197W .....	5
505157WP .....	5
505850 .....	5
505911 .....	5
505912 .....	5
505913 .....	5
511437 .....	5
511639 .....	5
511882 .....	5
511902W .....	5
511914W .....	5
512166W .....	5
512167W .....	5
512168W .....	5
512370 .....	5
512622W .....	5
512752W .....	5
513016W .....	5
513017W .....	5
513018W .....	5
513244W .....	5
Grounding Clip	
00161 .....	63

---

**H**

Handle Cover	
803094P .....	19
Harness Strap	
55881 .....	61
Heat Duct Shroud	
510101 .....	47
Heater	
511014P .....	45
Heater Assembly	
510324P .....	43
510326P .....	43
510327P .....	43
510328P .....	43

511503P .....	43
Heater Duct and Screw Assembly	
510025P .....	43, 45, 47
Heater Kit	
966P3 .....	43
Hinge	
511036 .....	11, 13, 15, 19, 21
Hinge Hole Plug	
510186 .....	23
Hold Down Kit	
526P3 .....	55
Hold-Down Clip	
35358 .....	17
Hood Back Panel	
510099 .....	17
Housing, 10 Position	
500338 .....	65

---

**I**

Idler Lever	
510133 .....	27
Idler Lever and Wheel Assembly	
510158 .....	27
Idler Spring	
510185 .....	27
Idler Wheel and Bearing Assembly	
510142P .....	27
Igniter and Bracket Assembly	
510184P .....	49
Igniter and Sensor Assembly	
502995P .....	53
Igniter Control	
502994P .....	53
Ignition Control Bracket	
502425 .....	53
Insulated Female Terminal	
00165 .....	63

---

**J**

Jumper Wire Assembly	
511270 .....	45

---

**K**

Knob Assembly	
36701L .....	7, 11
36701Q .....	7, 11, 13
36701W .....	7, 11, 13
511439 .....	7
803168P .....	7

---

**L**

Lead-In Cord	
505759 .....	57
512019 .....	57
56222 .....	57

N/A items do not appear in index.

59373 .....	57
Lead-In Cord Assembly	
503597 .....	57
506106 .....	57
510505P .....	57
Lead-In Cord Kit	
61605P .....	57
Lead-In Pipe Assembly	
510204 .....	49, 53
Left Control Cabinet Side	
800900LP .....	11
800900QP .....	11, 13
800900WP .....	11, 13
Leveling Leg	
510135 .....	55
Light Housing Assembly	
512108 .....	33
Limit Thermostat	
510700 .....	43
510701 .....	43, 45
510702 .....	47
Liner Door Seal	
510147P .....	19, 21
Liner, Seal and Grill Assembly	
510163WP .....	21
513109P .....	19
Lint Filter	
503980 .....	31, 33
512946 .....	33
Lint Filter Cover	
510502 .....	31, 33
Lint Filter Label	
502781 .....	23
L.P. Conversion Kit	
401P3 .....	51, 53
599P3 .....	51, 53
649P3 .....	51

---

## M

Male Pin Terminal	
00116 .....	61
00127 .....	61
00129 .....	61
Male Tab Terminal	
00139 .....	63
Manual Reset Thermostat	
M411941 .....	29
Motor and Pulley Assembly	
505843P .....	25
505869P .....	25
511629P .....	25
Motor Hub Ring Kit	
590P3 .....	25
Motor Mount	
510060 .....	27
Motor Mount Clamp	
510180 .....	27
Motor Pulley	
500011 .....	25
500222 .....	25

---

## N

Nut	
29796 .....	13, 15
44087201 .....	11
52566 .....	27
56156 .....	27, 37, 41
N.G. Conversion Kit	
402P3 .....	51, 53
650P3 .....	51

---

## O

Outlet Cover	
500820 .....	43, 45, 47

---

## P

Panel	
513093 .....	15
513443 .....	15
Panel Locator	
56079 .....	23, 55
Pinched Fingers Label	
502506 .....	31
Plug	
23040 .....	61
54522 .....	61
Plug, 2 Circuit	
56266 .....	61
56448 .....	61
Plug, 9 Circuit	
23033 .....	61
Pop Rivet	
685847 .....	15
Power Cord Assembly	
505945 .....	57
506081 .....	57

---

## R

Rear Bulkhead Assembly	
505246 .....	37, 41
510905WP .....	37, 41
511082P .....	37, 41
Rear Control Cabinet	
801058 .....	11, 13, 15
Receptacle Housing	
90789 .....	63
Receptacle, 12 Circuit	
56855 .....	61
Receptacle, 2 Circuit	
56451 .....	61
Receptacle, 3 Circuit	
23039 .....	61
Receptacle, 6 Circuit	
26708 .....	61
Receptacle, 9 Circuit	
26163 .....	61

N/A items do not appear in index.

Relay	
502501 .....	17
Relay to Heater Harness	
511114P .....	45
Resistor Assembly	
511277 .....	11, 13, 15
Retaining Ring	
23748 .....	27, 37, 41
Right Control Cabinet Side	
800915L .....	11
800915Q .....	11, 13
800915W .....	11, 13
Ring Terminal	
00110 .....	63
00111 .....	63
Rocker Switch	
38424L .....	7
38424Q .....	7, 13
38424W .....	7, 13
Rubber Foot	
501855 .....	55

## S

Screw	
F430956 .....	15
M405188 .....	15
20530 .....	59
23222 .....	43, 45, 49
31260 .....	27
33561 .....	29
33562 .....	23
39733 .....	23, 55
500227 .....	33
500824 .....	27
501086 .....	7, 9, 13, 15, 17, 33
501285 .....	31, 33, 39, 41
502535 .....	53
503661 .....	41
503688 .....	11, 17, 23, 27, 31, 33, 37, 39, 41, 43, 45, 47, 49, 53, 55
505295 .....	19, 21, 31, 33
512921 .....	55
513071 .....	59
51782 .....	47, 49, 53
52864 .....	31
56124 .....	49, 53
61199 .....	39
62588 .....	35
70240301 .....	11, 13, 15
800548 .....	19
800930 .....	11, 13
Secondary Coil	
58804B .....	49
59063B .....	49
Security Cabinet Harness	
511324P .....	67
Security Cabinet Harness Assembly	
511306P .....	67
511323 .....	67
511752P .....	67
511767 .....	67
511770 .....	67
511771 .....	67
513384 .....	67

Selector Switch	
803155 .....	15
Sensor	
510213 .....	49
Shaft	
56461P .....	27, 37, 41
Spade Terminal	
00245 .....	63
Speed Clip	
28835 .....	23
Stainless Steel Top	
511631P .....	11
Strain Relief	
38384 .....	59, 63
502500 .....	59
52113 .....	59
60298 .....	59
Strain Relief Adapter	
502496 .....	59
Switch	
504570 .....	23

## T

Terminal	
00347 .....	63
Terminal Block Assembly	
505876 .....	41
510190P .....	39
Terminal Block Shield	
505768 .....	39, 41
510237 .....	39
Terminal Block Support Bracket	
505875 .....	41
Terminal Extractor Tool	
283P4 .....	65
Thermal Fuse Assembly	
511412 .....	43, 45
Thermostat	
504515 .....	29
504519 .....	29
504520 .....	29
504521 .....	29
510703 .....	47
510707P .....	29
511957 .....	29
Timer	
502964P .....	9, 11, 13
502966P .....	9
505794P .....	9, 11
505795P .....	9, 11, 15
505796P .....	9, 11, 15
511149P .....	9, 13, 15
511150P .....	9, 13, 15
Timer and Harness Kit	
505797P .....	9, 11
Timer Knob Assembly	
512117Q .....	7, 11, 13
512117W .....	7, 11, 13
512118 .....	7
803098P .....	15
803118P .....	13
Top and Gusset Assembly	
802247LP .....	11

N/A items do not appear in index.

802247QP .....	11, 13
802247WP .....	11, 13
Top Cover	
505808G .....	7
505808Q .....	7
505808W .....	7
Top Hinge	
510136 .....	55
Top Kit	
803144P .....	15
Top Mounting Bracket	
504228 .....	11, 13, 15
Top Panel	
510029G .....	17
Top Panel Kit	
510029LP .....	17
510029WP .....	17
Transformer Kit	
511658P .....	17, 55

511768P .....	67
511769P .....	67
511773P .....	67
511777 .....	69
511779 .....	67
511785 .....	69
513451 .....	67
513452 .....	67
Wire Tie	
38663 .....	61
Wire, 12 Gauge	
45380 .....	67, 69
45477 .....	69
Wire, 18 Gauge	
45001 .....	67, 69

---

## U

Ultra Pod Terminal	
00359 .....	63
00360 .....	61

---

## W

Warning Label	
500314 .....	31, 33
505809 .....	23
512263 .....	23
Warning/Caution Label	
500281 .....	23
Washer	
504082 .....	37, 41
52549 .....	27, 37, 41
Wire Assembly	
510527 .....	43
510528 .....	43
511148 .....	7
513170P .....	15
Wire Clip	
504034 .....	61
687500 .....	61
Wire Harness Assembly	
510402P .....	69
510403 .....	69
510420P .....	69
510423 .....	69
510425P .....	69
510443P .....	69
510444 .....	69
510460 .....	69
510478 .....	69
511301P .....	69
511303 .....	17, 55
511304 .....	67
511329 .....	67
511330 .....	67
511335 .....	69
511342 .....	69
511754 .....	67

N/A items do not appear in index.