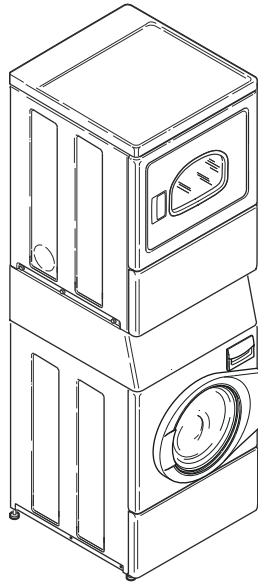


Commercial Stack Washer/Dryers

Refer to Page 5 for Model Numbers



SWD456C_806119

Table of Contents

Title	Page
Parts Ordering Information.....	3
Serial Plate Location	3
Model Identification	5
Control Panel and Controls	6
Control Panel Overlay	8
Electrical Access Panel, Filters and Terminal Block	10
Network Board Assembly.....	12
Control Panel and Cabinet Wrapper	14
Control Cabinet Front and Wrapper	16
Non-Electronic Coin Drop	18
Electronic Coin Drop	20
Card Reader and Non-Vend Control Cabinet	22
Control Cabinet Front and Wrapper	24
Front Panel, Door Assembly and Door Seal	26
Dispenser Assembly	28
Mixing Valve and Valve-to-Dispenser Hose.....	30
Fill Hose	32
Outer Tub, Front and Clamp Ring.....	34
Inner Basket, Trunnion, Bearing Housing and Pulley	36
Motor and Belt.....	38
Drain Hose and Valve	40
Drain Hose and Pump.....	42
Washer Base, Side Panels and Rear Panel	44
Washer Junction Box	46
Supply Injection Junction Box	48
Washer Lead-In Cord, Wire Ties and Harness Clips	50
Dryer Door (Drawing 1 of 3).....	52
Dryer Door (Drawing 2 of 3).....	54
Dryer Door (Drawing 3 of 3).....	56
Access Panel, Front Panel and Seal	58
Blower Housing and Shields	60
Motor, Exhaust Fan and Belt	62
Idler Assembly	64
Front Bulkhead, Felt Seal and Cylinder	66
Air Duct Assembly.....	68
Rear Bulkhead, Felt Seal, Cylinder Roller and Terminal Block.....	70
Heater Duct and Element Assembly (Drawing 1 of 2).....	72
Heater Duct and Element Assembly (Drawing 2 of 2).....	74
Heater Duct Assembly	76
Gas Valve, Igniter and Gas Conversion Kits	78
Burner Orifice Spuds - For Higher Elevations	80

© Copyright 2016, Alliance Laundry Systems LLC

All rights reserved. No part of the contents of this book may be reproduced or transmitted in any form or by any means without the expressed written consent of the publisher.

Dryer Cabinet and Exhaust Duct	82
Dryer Base	84
Dryer Lead-In Cord	86
Junction Box	88
Dryer Terminals and Terminal Extractor Tools	90
Terminals	92
Dryer Labels.....	94
Washer Labels	96
Shipping Materials	98
Special Tools	100
Wire Harnesses and Wires (Drawing 1 of 2).....	102
Wire Harnesses and Wires (Drawing 2 of 2).....	104
Parts Index.....	107

Parts Ordering Information

If literature or replacement parts are required, contact the source from whom the machine was purchased or contact Alliance Laundry Systems at (920) 748-3950 for the name and address of the nearest authorized parts distributor.

For technical assistance, call either of the numbers listed below:

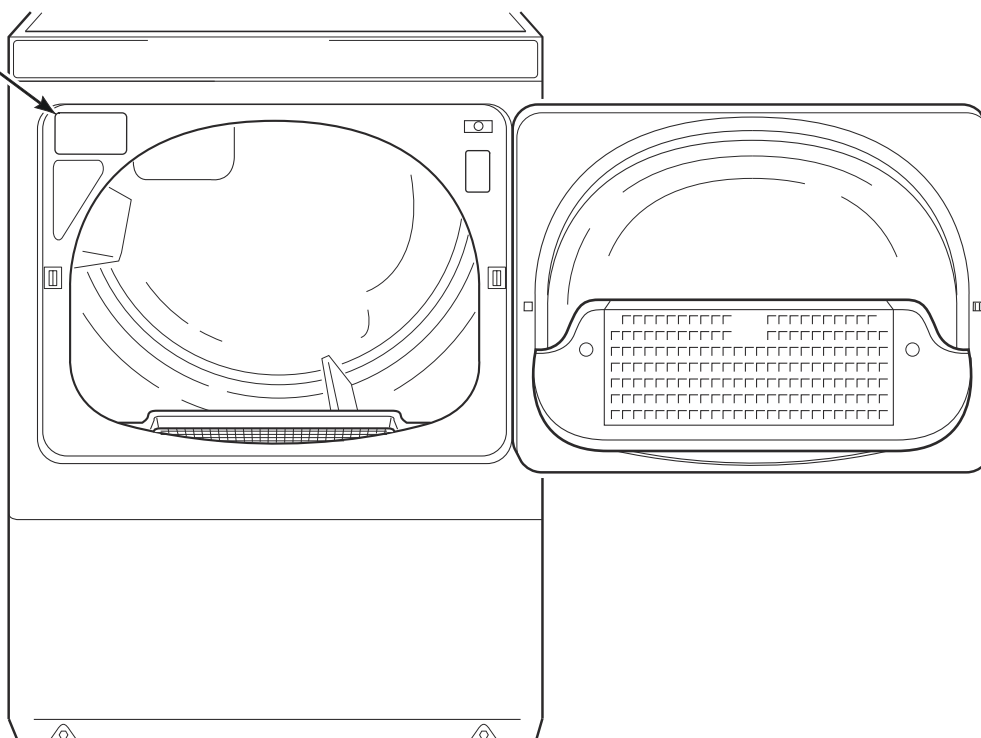
(920) 748-3121 Ripon, Wisconsin

+32 56 41 20 54 Wevelgem, Belgium

Serial Plate Location

When calling or writing about your product, be sure to mention model and serial numbers. Model and serial numbers are located on serial plate(s) as shown.

SERIAL PLATE



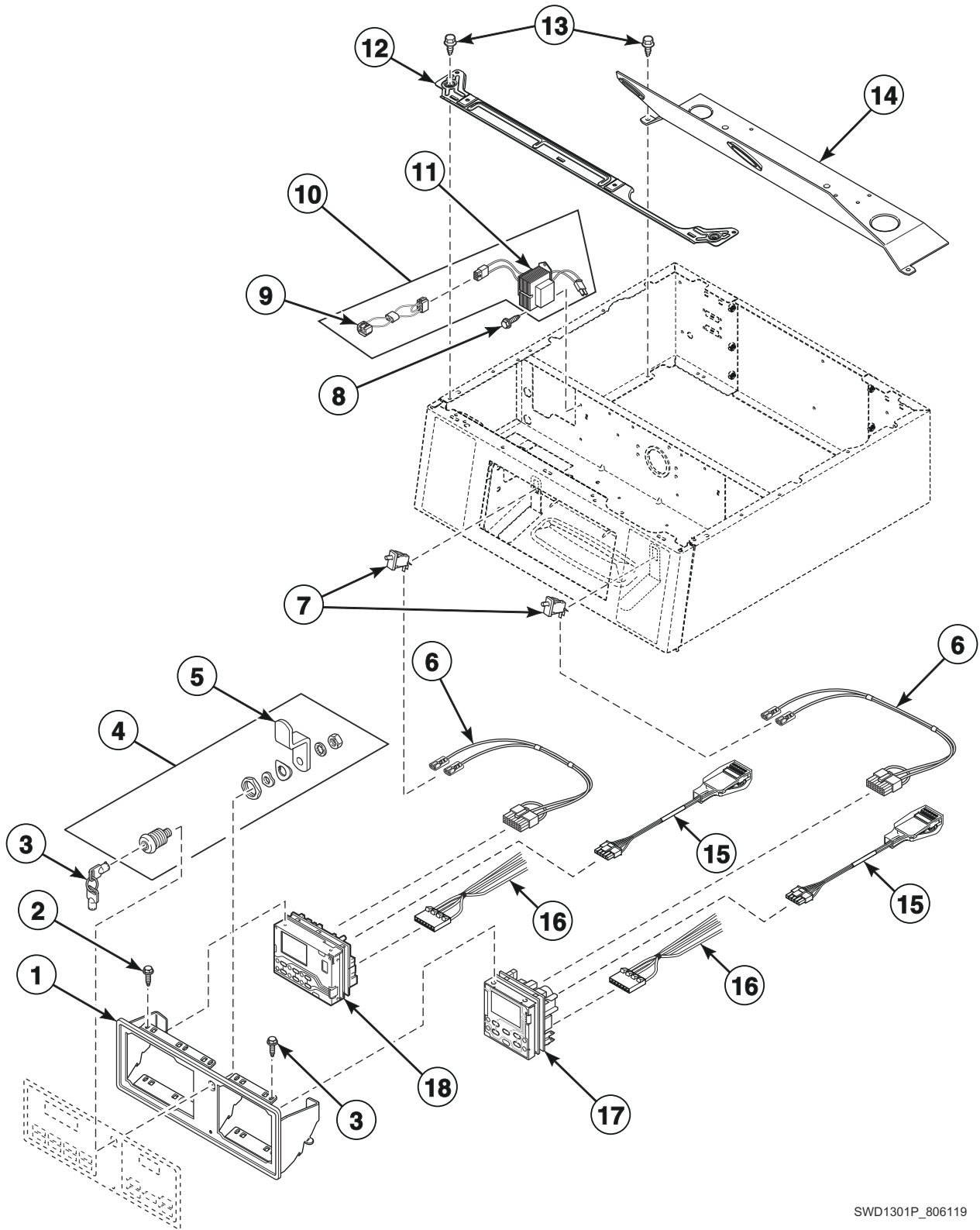
DRY2283P_806119

Model Identification

Information in this manual is applicable to these stack washer/dryer models:

BT3JGAJP403UW01	NT1JLASP413UW06	ST1JXASP403EW06
BT3JGAJG403UW01	NT1JXASP403UW06	ST2JXASP403EW06
BT3JGAJP403UN01	NT2JLASP403UN01	ST3JXASP403NW22
BT3JGASG403UW01	NT2JLASP403UW01	STENCASP173TW01
BT3JGASP403UN01	NT2JLASP403UW06	STENCFSP173TW01
BT3JGASP403UW01	NT2JXASP403UN01	STENXASP133DW01
BT3JLASG403UW01	NT2JXASP403UW06	STENXASP133FW01
BT3JLASP403UN01	NT3JLASG403UW01	STENXASP173TW01
BT3JLASP403UW01	NT3JLASP403NN22	STENXASP433AW01
BT3JXASG403UW01	NT3JLASP403NW22	STENXASP433AW12
BT3JXASP403UN01	NT3JLASP403UN01	STENXASP543DW01
BT3JXASP403UW01	NT3JLASP403UW01	STENXFSP173TW01
HTENXASP133DW01	NT3JXASG403UW01	STENYASP173TN01
HTENXASP133FW01	NT3JXASP403NW22	STENYASP173TW01
HTENXASP283CW01	NT3JXASP403UN01	STENYFSP173TW01
HTENXASP293CW01	NT3JXASP403UW01	STEWYAJP303NN22
HTENXASP543DW01	NTHJXASP543NW01	STEWYAJP303NW22
HTENYASP283CW01	NTHJYASP543NW01	STEWYASP173TW01
HTENYASP293CW01	PT2JGAJG403UG06	STGNCASP113TW01
HTGNXASP093CW01	PT2JGAJP403UG06	STGNCFSP113TW01
HTGNXASP113FW01	PT2JGASG403UG06	STGNXASG113JW01
HTGNXASP123DW01	PT2JGASP403UG06	STGNXASG113TW01
HTGNXASP543DW01	PT2JXASG403UG06	STGNXASP113FW01
JT1JEASP413EW06	PT2JXASP403UG06	STGNXASP113TW01
JT1JGASP413EW06	PT3JGAJG403UG06	STGNXASP123DW01
JT1JMASG413EN06	PT3JGAJP403UG06	STGNXASP303AW01
JT1JXASP413EW06	PT3JGASG403UG06	STGNXASP303AW12
JT2JEASP413EW06	PT3JGASP403UG06	STGNXASP543DW01
JT2JGASP413EW06	PT3JXASG403UG06	STGNXFSP113TW01
JT2JMASG413EN06	PT3JXASP403UG06	STGNYASP113TN01
JT2JXASP413EW06	PTEJXASG303UG06	STGNYASP113TW01
JTEJEASP303EW06	PTEJXASG543ZG01	STGNYFSP113TW01
JTEJXASP303EW06	PTEJXASP174TG01	STGWYAJP303NN22
JTGJEASP303EW06	PTEJXASP303UG06	STGWYASP113TW01
JTGJXASP303EW06	PTEJXASP434AG01	STLNXASP543NW23
	PTEJXASP543ZG01	STLNYASP543NW23
	PTGJXASG303UG06	STLNYASP543PW01
	PTGJXASG543ZG01	STLWXASP543NN22
	PTGJXASP114TG01	TT3JXASP403NW22
	PTGJXASP303UG06	
	PTGJXASP304AG01	
	PTGJXASP543ZG01	

Control Panel and Controls

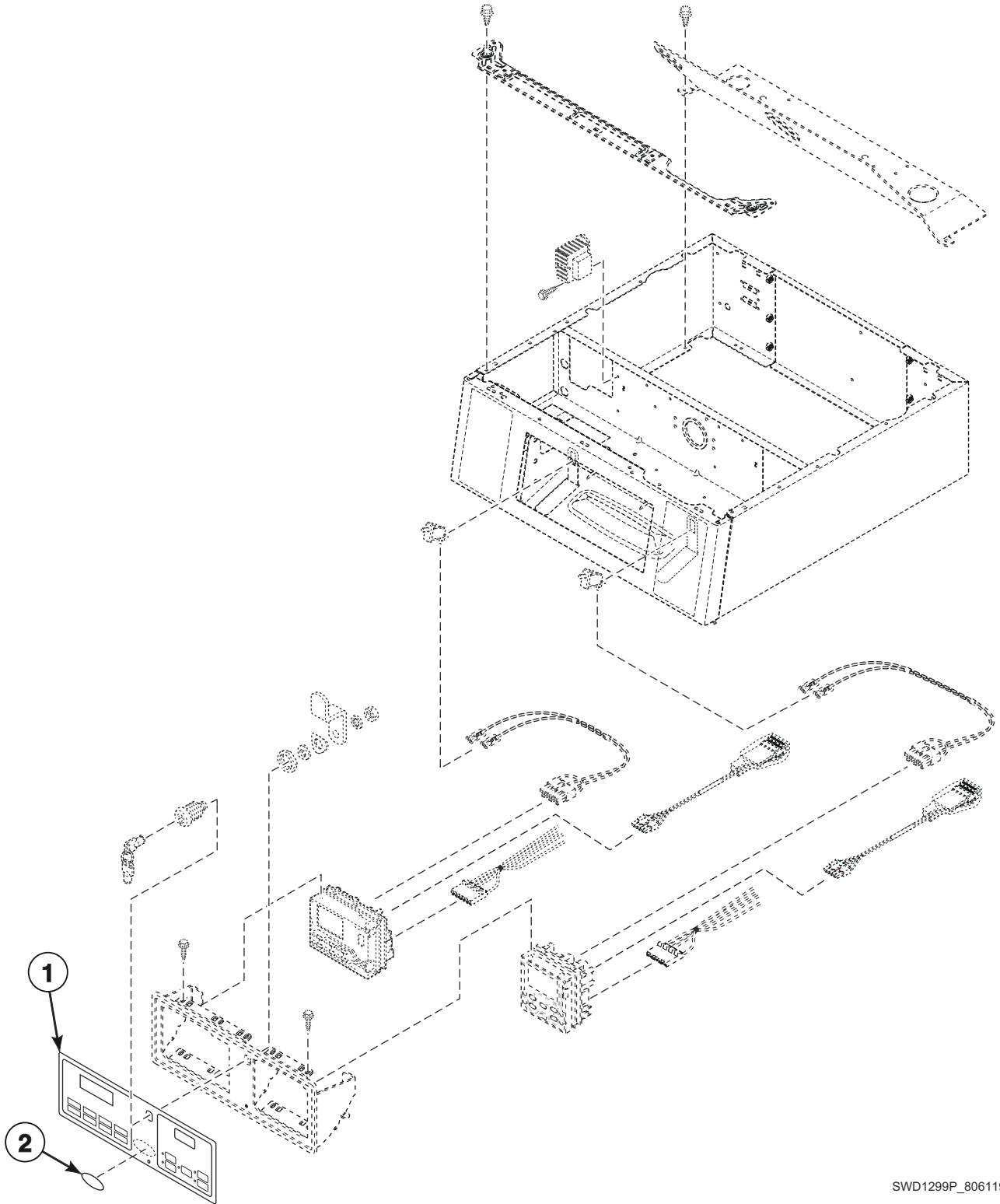


SWD1301P_806119

Control Panel and Controls

REF	PART NO.	DESCRIPTION	COMMENTS
1	800034W	Control Panel and Bracket Assembly	Models STENCFSP173TW01, STENXFSP173TW01, STENYFSP173TW01, STGNCFSP113TW01, STGNXFSP113TW01 and STGNYFSP113TW01
	804069DG	Control Panel Assembly	Dark gray; All other models
	804069W	Control Panel Assembly	White; All other models
	804069B	Control Panel Assembly	Black; All other models
2	501524	Screw	Models STENCFSP173TW01, STENXFSP173TW01, STENYFSP173TW01, STGNCFSP113TW01, STGNXFSP113TW01 and STGNYFSP113TW01
	804608	Screw	All other models
3	54612	Key	GR800
4	804339P	Lock Assembly	
5	27261	Lock Cam	Models STENCFSP173TW01, STENXFSP173TW01, STENYFSP173TW01, STGNCFSP113TW01, STGNXFSP113TW01 and STGNYFSP113TW01
	804338	Lock Cam	All other models
6	202868	Wiring Harness Assembly	Diagnostic
7	512973	Switch	
8	503661	Screw	
9	804795	Transformer Harness	120V
	805428	Transformer Harness	240V
10	203423	Transformer Kit	120V; Includes items 9 and 11
	203424	Transformer Kit	240V; Includes items 9 and 11
11	202757	Transformer	120V
	202758	Transformer	240V
12	804018	Shield Bracket	
13	503688	Screw	
14	804363	Control Shield	
15	203361P	Machine ID Control Assembly	Model or serial number is required when ordering
16	805427	Central Pay Harness	
17	515442	Control Assembly	Dryer; Blue LEDs; Models PT2JGAJG403UG06, PT2JGAJP403UG06, PT2JGASG403UG06, PT2JGASP403UG06, PT2JXASG403UG06, PT2JXASP403UG06, PT3JGAJG403UG06, PT3JGAJP403UG06, PT3JGASG403UG06, PT3JGASP403UG06, PT3JXASG403UG06, PT3JXASP403UG06, PTEJXASG303UG06, PTEJXASG543ZG01, PTEJXASP174TG01, PTEJXASP303UG06, PTEJXASP434AG01, PTEJXASP543ZG01, PTGJXASG303UG06, PTGJXASG543ZG01, PTGJXASP114TG01, PTGJXASP303UG06, PTGJXASP304AG01 and PTGJXASP543ZG01
	514139P	Control Assembly	Dryer; Red LEDs; Models BT3JGAJP403UW01, BT3JGAJG403UW01, BT3JGAJP403UN01, BT3JGASG403UW01, BT3JGASP403UN01, BT3JGASP403UW01, BT3JLASG403UW01, BT3JLASP403UN01, BT3JLASP403UW01, BT3JXASG403UW01, BT3JXASP403UN01 and BT3JXASP403UW01
	514138P	Control Assembly	Dryer; Green LEDs; All other models
18	806041P	Control Assembly	Washer; Blue LEDs; Models PT2JGAJG403UG06, PT2JGAJP403UG06, PT2JGASG403UG06, PT2JGASP403UG06, PT2JXASG403UG06, PT2JXASP403UG06, PT3JGAJG403UG06, PT3JGAJP403UG06, PT3JGASG403UG06, PT3JGASP403UG06, PT3JXASG403UG06, PT3JXASP403UG06, PTEJXASG303UG06, PTEJXASG543ZG01, PTEJXASP174TG01, PTEJXASP303UG06, PTEJXASP434AG01, PTEJXASP543ZG01, PTGJXASG303UG06, PTGJXASG543ZG01, PTGJXASP114TG01, PTGJXASP303UG06, PTGJXASP304AG01 and PTGJXASP543ZG01
	804472P	Control Assembly	Washer; Red LEDs; Models BT3JGAJP403UW01, BT3JGAJG403UW01, BT3JGAJP403UN01, BT3JGASG403UW01, BT3JGASP403UN01, BT3JGASP403UW01, BT3JLASG403UW01, BT3JLASP403UN01, BT3JLASP403UW01, BT3JXASG403UW01, BT3JXASP403UN01 and BT3JXASP403UW01
	804471P	Control Assembly	Washer; Green LEDs; All other models

Control Panel Overlay

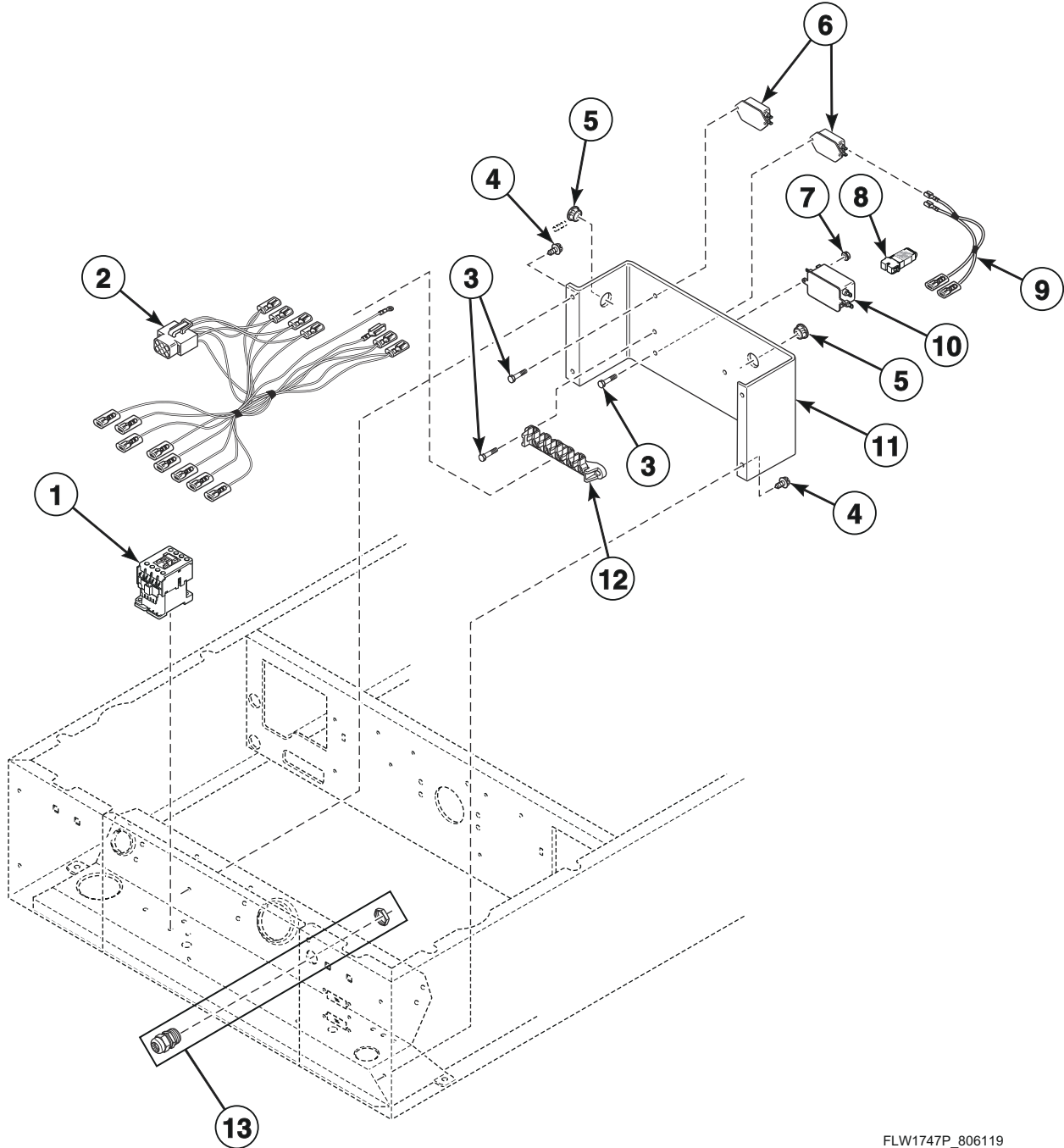


Control Panel Overlay

REF	PART NO.	DESCRIPTION	COMMENTS
1	805381	Control Overlay	Models BT3JXASG403UW01, BT3JXASP403UN01 and BT3JXASP403UW01
	805382	Control Overlay	Models BT3JGAJP403UW01, BT3JGAJG403UW01, BT3JGAJP403UN01, BT3JGASG403UW01, BT3JGASP403UN01, BT3JGASP403UW01, BT3JLASG403UW01, BT3JLASP403UN01 and BT3JLASP403UW01
	805380	Overlay	Models HTENXASP133DW01, HTENXASP133FW01, HTENXASP283CW01, HTENXASP293CW01, HTENXASP543DW01, HTENYASP283CW01, HTENYASP293CW01, HTGNXASP093CW01, HTGNXASP113FW01, HTGNXASP123DW01 and HTGNXASP543DW01
	805386	Overlay	Models JT1JGASP413EW06 and JT2JGASP413EW06
	805387	Overlay	Models JT1JMASG413EN06 and JT2JMASG413EN06
	805385	Overlay	Models JT1JEASP413EW06, JT1JXASP413EW06, JT2JEASP413EW06, JT2JXASP413EW06, JTEJEASP303EW06, JTEJXASP303EW06, JTGJEASP303EW06 and JTGJXASP303EW06
	805384	Overlay	Models NT1JLASP413UW06, NT2JLASP403UN01, NT2JLASP403UW01, NT2JLASP403UW06, NT3JLASG403UW01, NT3JLASP403NN22, NT3JLASP403NW22, NT3JLASP403UN01 and NT3JLASP403UW01
	805383	Overlay	Models NT1JXASP403UW06, NT2JXASP403UN01, NT2JXASP403UW06, NT3JXASG403UW01, NT3JXASP403NW22, NT3JXASP403UN01, NT3JXASP403UW01, NTHJXASP543NW01, NTHJYASP543NW01, ST1JXASP403EW06, ST2JXASP403EW06, ST3JXASP403NW22 and TT3JXASP403NW22
	805765	Overlay	Models PT2JGAJG403UG06, PT2JGAJP403UG06, PT2JGASG403UG06, PT2JGASP403UG06, PT3JGAJG403UG06, PT3JGAJP403UG06, PT3JGASG403UG06 and PT3JGASP403UG06
	805767	Overlay	Models PT2JXASG403UG06, PT2JXASP403UG06, PT3JXASG403UG06, PT3JXASP403UG06, PTEJXASG303UG06, PTEJXASG543ZG01, PTEJXASP303UG06, PTEJXASP543ZG01, PTGJXASG303UG06, PTGJXASG543ZG01, PTGJXASP303UG06 and PTGJXASP543ZG01
	805970	Overlay	Models STENXASP133FW01, STGNXASP113FW01, STLNXASP543NW23, STLNYASP543NW23 and STLNYASP543PW01
	806174	Overlay	Models PTEJXASP174TG01, PTEJXASP434AG01, PTGJXASP114TG01 and PTGJXASP304AG01
	804852	Overlay	All other models
2	804969	Label	Models ST1JXASP403EW06, ST2JXASP403EW06 and ST3JXASP403NW22
	805914	Label	Model TT3JXASP403NW22

Electrical Access Panel, Filters and Terminal Block

All Models Except HTENXASP283CW01, HTENXASP293CW01, HTENYASP283CW01, HTENYASP293CW01, HTGNXASP093CW01, PTEJXASP174TG01, PTGJXASP114TG01, STENCASP173TW01, STENCFSP173TW01, STENXASP173TW01, STENXFSP173TW01, STENYASP173TN01, STENYASP173TW01, STENYFSP173TW01, STEWYAJP303NN22, STEWYAJP303NW22, STEWYASP173TW01, STGNCASP113TW01, STGNCFSP113TW01, STGNXASP113TW01, STGNXFSP113TW01, STGNYASP113TN01, STGNYASP113TW01, STGNYFSP113TW01, STGWYAJP303NN22, STGWYASP113TW01, STLNXASP543NW23, STLNYASP543NW23 and STLWXASP543NN22



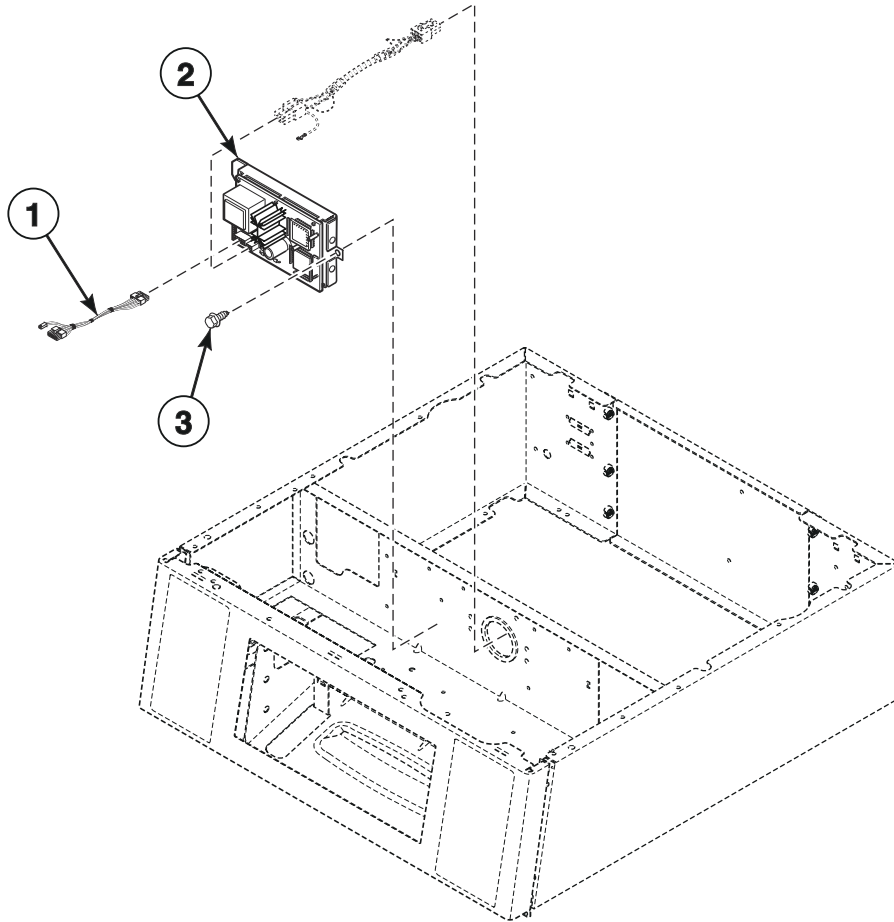
FLW1747P_806119

Electrical Access Panel, Filters and Terminal Block

REF	PART NO.	DESCRIPTION	COMMENTS
	804737	Terminal Block Harness	3 Phase models
	805356	Heater Contactor Drip Shield	3 Phase models
	805344	Terminal Block Drip Shield	
1	70482603	Contactor	3 Phase models
2	805544	Heat Contactor Harness	3 Phase models
3	503661	Screw	
4	503688	Screw	
5	M402542	Snap Bushing	
6	805634	Filter	3 Phase models
7	29787	Nut	
8	804651	Network Varistor Assembly	3 Phase models
9	804396	Filter Harness	Filter to main harness; Models JT2JEASP413EW06, JT2JGASP413EW06, JTGJEASP303EW06, JTGJXASP303EW06, NT2JLASP403UW01, NT2JXASP403UN01, NT2JXASP403UW06, PT2JGAJP403UG06, PT2JGASG403UG06, PT2JGASP403UG06, PT2JXASG403UG06, PT2JXASP403UG06, PTGJXASP303UG06 and ST2JXASP403EW06
	804797	Filter Harness	Filter to main harness; All other models
10	805633	Line Filter	
11	803988	Terminal Block Assembly	
12	505876	Terminal Block Assembly	
13	801792P	Fitting	

Network Board Assembly

Models STEWYAJP303NN22, STEWYAJP303NW22, STEWYASP173TW01, STGWYAJP303NN22, STGWYASP113TW01 and STLWXASP543NN22



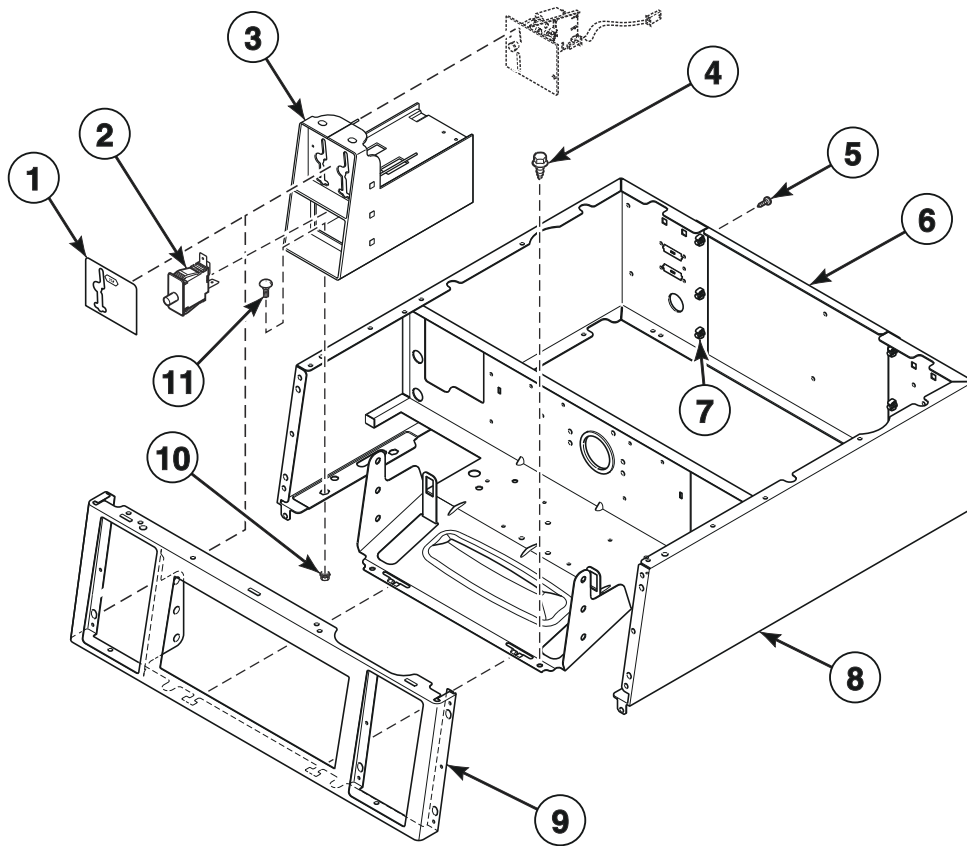
SWD1288P_806119

Network Board Assembly

REF	PART NO.	DESCRIPTION	COMMENTS
1	F8536002	Wireless Network Board Harness	
2	203327	Wireless Network Kit	
3	503661	Screw	

Control Panel and Cabinet Wrapper

10 Degree Front Coin Models



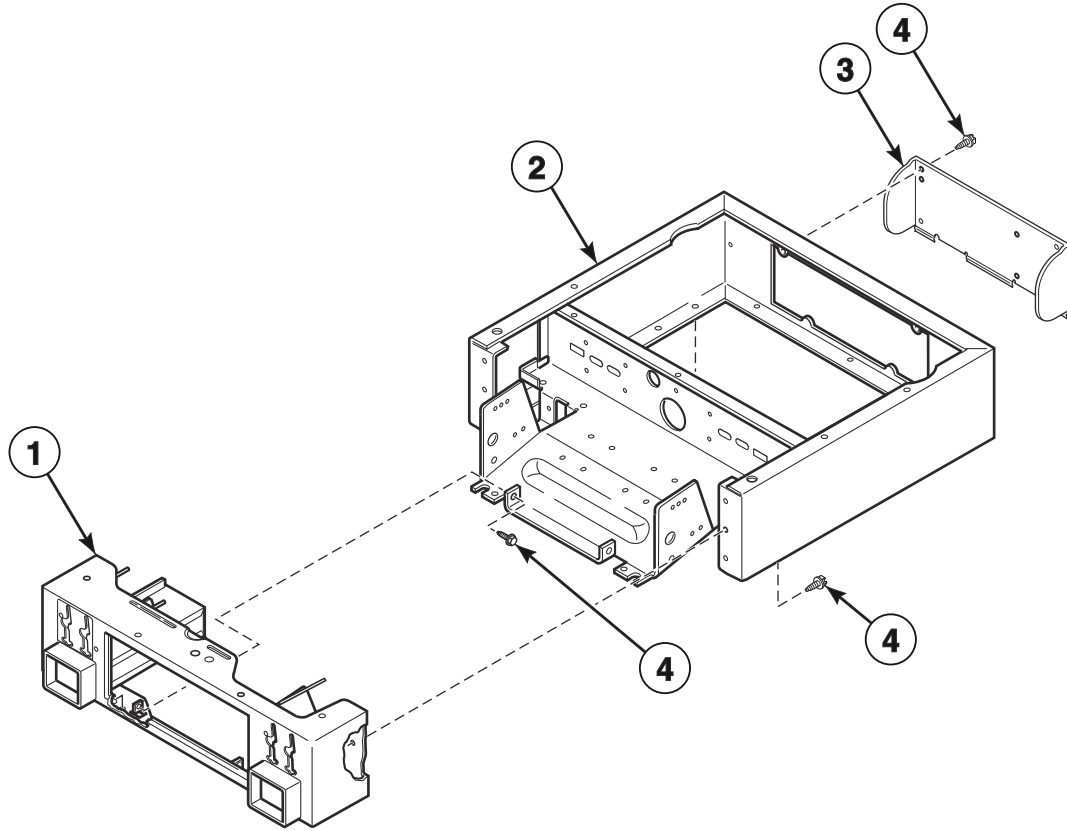
SWD1289P_806119

Control Panel and Cabinet Wrapper

REF	PART NO.	DESCRIPTION	COMMENTS
	806195	Instruction Label	Models PTEJXASP174TG01, PTEJXASP434AG01, PTGJXASP114TG01 and PTGJXASP304AG01
	805665	Instruction Label	Text; All other models
	805664	Instruction Label	Icon; All other models
1	38717	Single Overlay	
	39073	Dual Overlay	
	38676	Overlay Kit	Dual drop; Includes coin identification paper
	803476	Single Drop Overlay	Models JT1JEASP413EW06, JT1JXASP413EW06, JT2JEASP413EW06, JT2JXASP413EW06, JTEJEASP303EW06, JTEJXASP303EW06, JTGJEASP303EW06 and JTGJXASP303EW06
	201091	Overlay	For electronic coin drops
2	512973	Switch	
3	804009DG	Meter Case Assembly	Dark gray
	804009B	Meter Case Assembly	Black
	804009W	Meter Case Assembly	White
4	503688	Screw	
5	70240301	Screw	
6	803998	Rear Access Panel	
7	70030501	Expansion Clip	
8	804108DG	Wrapper Assembly	Dark gray; Models BT3JXASG403UW01, BT3JXASP403UN01, BT3JXASP403UW01, JT1JEASP413EW06, JT1JXASP413EW06, JT2JEASP413EW06, JT2JXASP413EW06, NT1JXASP403UW06, NT2JXASP403UN01, NT2JXASP403UW06, NT3JXASG403UW01, NT3JXASP403NW22, NT3JXASP403UN01, NT3JXASP403UW01, NTHJXASP543NW01, PT2JXASG403UG06, PT2JXASP403UG06, PT3JXASG403UG06, PT3JXASP403UG06, ST1JXASP403EW06, ST2JXASP403EW06, ST3JXASP403NW22 and TT3JXASP403NW22
	804108B	Wrapper Assembly	Black; Models BT3JXASG403UW01, BT3JXASP403UN01, BT3JXASP403UW01, JT1JEASP413EW06, JT1JXASP413EW06, JT2JEASP413EW06, JT2JXASP413EW06, NT1JXASP403UW06, NT2JXASP403UN01, NT2JXASP403UW06, NT3JXASG403UW01, NT3JXASP403NW22, NT3JXASP403UN01, NT3JXASP403UW01, NTHJXASP543NW01, PT2JXASG403UG06, PT2JXASP403UG06, PT3JXASG403UG06, PT3JXASP403UG06, ST1JXASP403EW06, ST2JXASP403EW06, ST3JXASP403NW22 and TT3JXASP403NW22
	804108W	Wrapper Assembly	White; Models BT3JXASG403UW01, BT3JXASP403UN01, BT3JXASP403UW01, JT1JEASP413EW06, JT1JXASP413EW06, JT2JEASP413EW06, JT2JXASP413EW06, NT1JXASP403UW06, NT2JXASP403UN01, NT2JXASP403UW06, NT3JXASG403UW01, NT3JXASP403NW22, NT3JXASP403UN01, NT3JXASP403UW01, NTHJXASP543NW01, PT2JXASG403UG06, PT2JXASP403UG06, PT3JXASG403UG06, PT3JXASP403UG06, ST1JXASP403EW06, ST2JXASP403EW06, ST3JXASP403NW22 and TT3JXASP403NW22
	804104DG	Wrapper Assembly	Dark gray; All other models
	804104W	Wrapper Assembly	White; All other models
9	803964DG	Control Panel	Dark gray
	803964B	Control Panel	Black
	803964W	Control Panel	White
10	44087201	Nut	
11	29651	Bolt	

Control Cabinet Front and Wrapper

Flat Front Coin Models



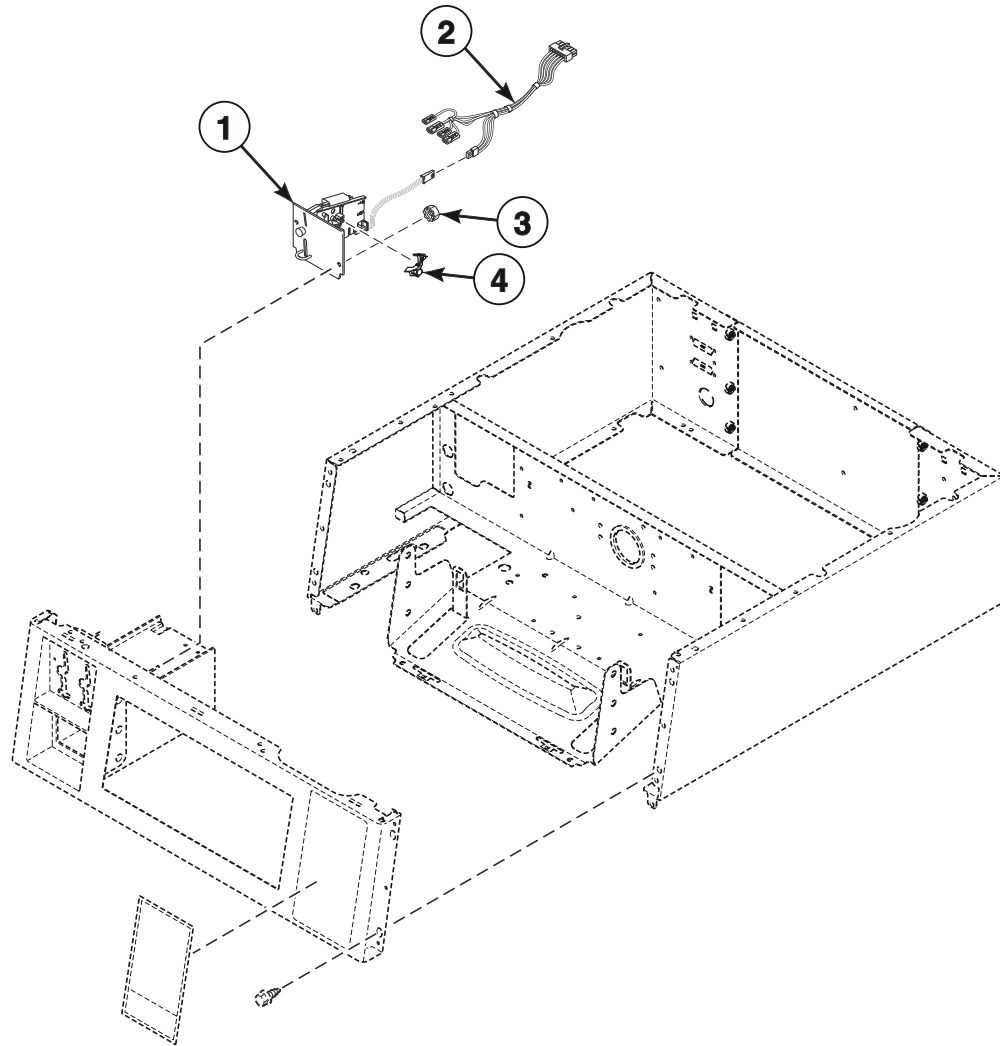
SWD1292P_806119

Control Cabinet Front and Wrapper

REF	PART NO.	DESCRIPTION	COMMENTS
1	511632WP	Security Cabinet Front Assembly	
2	801235W	Security Cabinet Wrapper Assembly	
3	805834	Rear Service Panel	
4	503688	Screw	

Non-Electronic Coin Drop

Coin Models



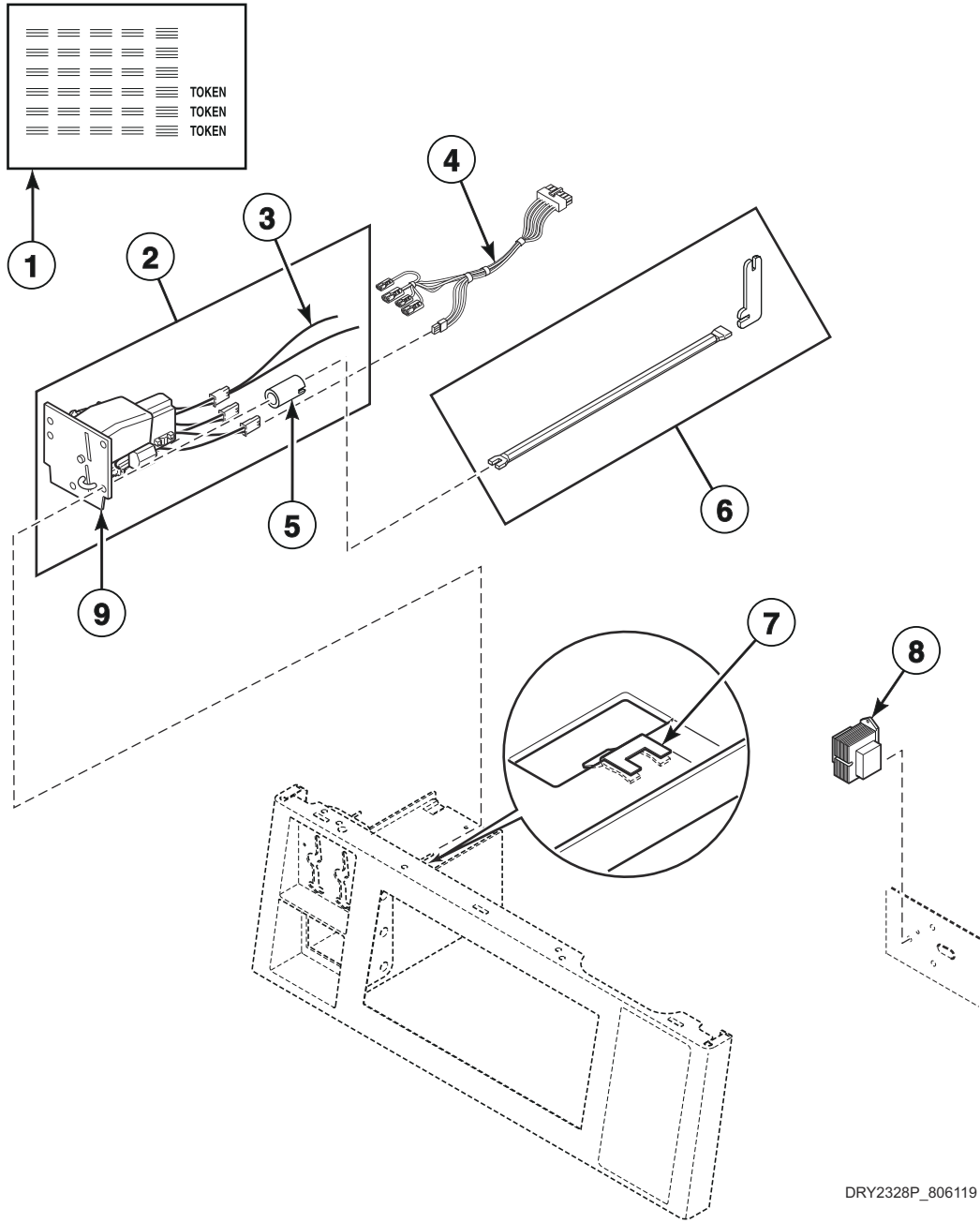
DRY2327P_806119

Non-Electronic Coin Drop

REF	PART NO.	DESCRIPTION	COMMENTS
1	38462P	Coin Drop Assembly	Token; 118-1 mzp; .880 diameter x .079 thick; Brass
	38463	Coin Drop Assembly	Token; 118-5 mzp; .990 diameter x .081 thick; Silver
	70441601P	Coin Drop	U.S.; \$.25
	38963P	Coin Drop	Token; 118-16 not available; Replacement for 38963P Coin Drop only
	70441602	Coin Drop Assembly	Canada; .25 and 1.00
	38464P	Coin Drop Assembly	Canada; .25
	38467	Coin Drop Assembly	Australia; .20 and 1.00
	70482401	Coin Drop Assembly	New Zealand; 1.00 and 2.00
	38472	Coin Drop Assembly	England; 20 pence and 1 pound
	38519	Coin Drop Assembly	Japan; 100 yen and 500 yen
	38521	Coin Drop Assembly	Korea; 100 won and 500 won
	CK114	Coin Drop Assembly	Singapore; Old 1.00
	CK123	Coin Drop Assembly	Singapore; New 1.00
	2	202870	Single Coin Harness Assembly
202871		Dual Coin Harness Assembly	Dual drop
3	29786	Nut	
4	201595P	Wire Guard	Anti-stringing security device; Add to coin drops

Electronic Coin Drop

Coin Models



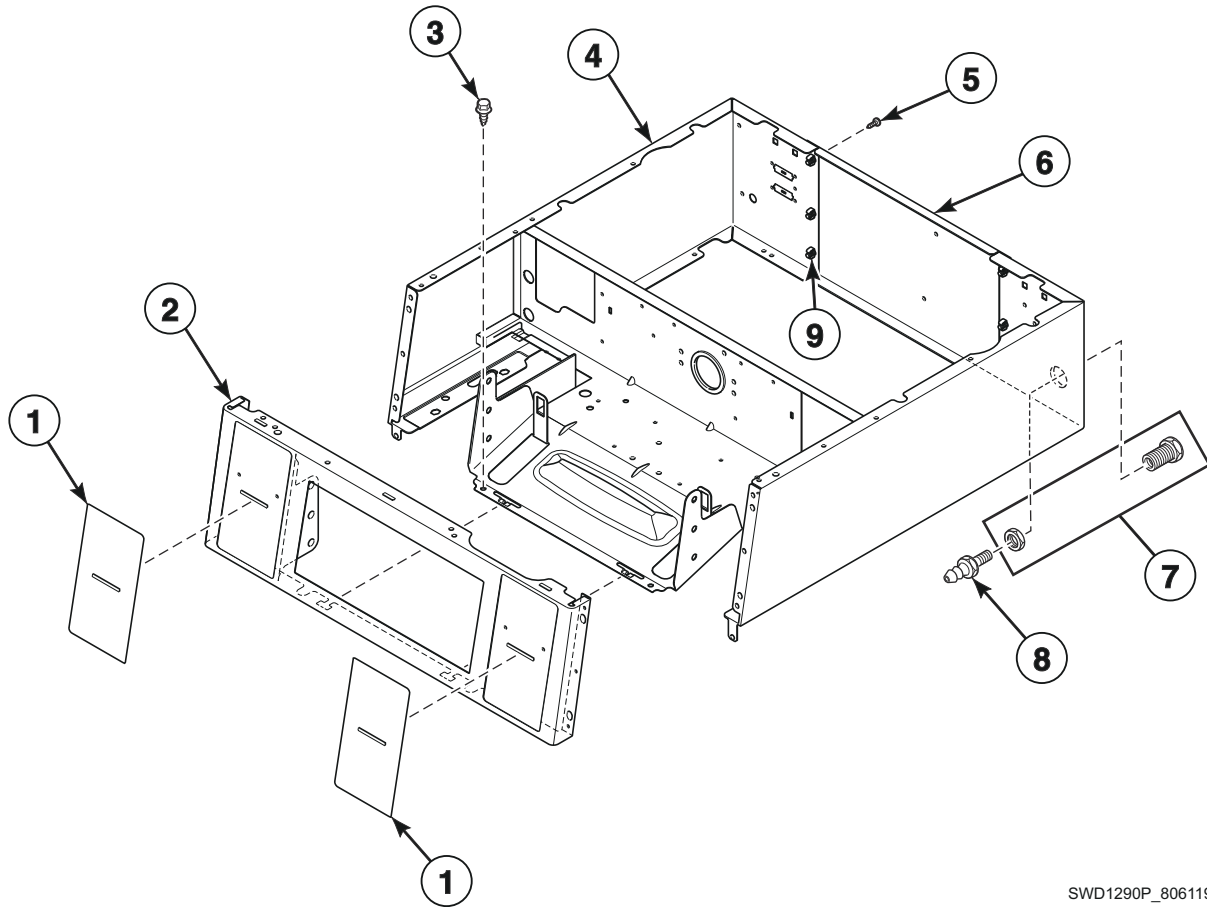
DRY2328P_806119

Electronic Coin Drop

REF	PART NO.	DESCRIPTION	COMMENTS
1	38725	Coin Identification Paper	
2	CK115	Electronic Coin Drop Kit	Includes items 1, 3, 5, 7, 9; United States and Canada coins
	CK099	Electronic Coin Drop Kit	Includes items 1, 3, 5, 7, 9; Australia, New Zealand, Hong Kong and South Korea coins
	CK100	Electronic Coin Drop Kit	Includes items 1, 3, 5, 7, 9; Euro and Great Britain coins
	CK101	Electronic Coin Drop Kit	Includes items 1, 3, 5, 7, 9; Euro, Denmark and Norway coins
	CK103	Electronic Coin Drop Kit	Includes items 1, 3, 5, 7, 9; Euro, Lithuania and Latvia coins
	CK108	Electronic Coin Drop Kit	Includes items 1, 3, 5, 7, 9; South African 1, 2 and 5 rand coins
	CK109	Electronic Coin Drop Kit	Includes items 1, 3, 5, 7, 9; Euro coins
	CK110	Electronic Coin Drop Kit	Includes items 1, 3, 5, 7, 9; Mexico, Ecuador and United States coins
	CK113	Electronic Coin Drop Kit	Includes items 1, 3, 5, 7, 9; Japan and Taiwan coins
	CK116	Electronic Coin Drop Kit	Includes items 1, 3, 5, 7, 9; Malaysia and China coins
	CK117	Electronic Coin Drop Kit	Includes items 1, 3, 5, 7, 9; Russia coins
	CK118	Electronic Coin Drop Kit	Includes items 1, 3, 5, 7, 9; Philippine coins
	CK120	Electronic Coin Drop Kit	Includes items 1, 3, 5, 7, 9; Chile coins
	CK121	Electronic Coin Drop Kit	Includes items 1, 3, 5, 7, 9; Singapore coins
3	201104	Coin Drop Wire Harness	
4	202871	Dual Coin Harness Assembly	
5	201216	Nut	
6	CK096	Mounting Tool Kit	
7	201572	Clip	
8	201375P	Transformer	
9	70294103P	Electronic Coin Drop Assembly	Euro and Great Britain coins
	70294104	Electronic Coin Drop Assembly	Euro, Denmark and Norway coins
	70294105P	Electronic Coin Drop Assembly	Australia, New Zealand, Hong Kong and South Korea coins
	70294106	Electronic Coin Drop Assembly	Mexico, Ecuador and United States coins
	70294107	Electronic Coin Drop Assembly	Euro, Lithuania and Latvia coins
	70294110	Electronic Coin Drop Assembly	South African 1, 2 and 5 rand coins
	70294111	Electronic Coin Drop Assembly	Euro coins
	70294112	Electronic Coin Drop Assembly	Euro, Great Britain and token coins
	70294116	Electronic Coin Drop Assembly	Malaysia, China and Singapore coins
	70294117	Electronic Coin Drop Assembly	Russia coins
	70294120	Electronic Coin Drop Assembly	Chile coins
	70294121	Electronic Coin Drop Assembly	Singapore coins

Card Reader and Non-Vend Control Cabinet

10 Degree Front Card and Non-Vend Models



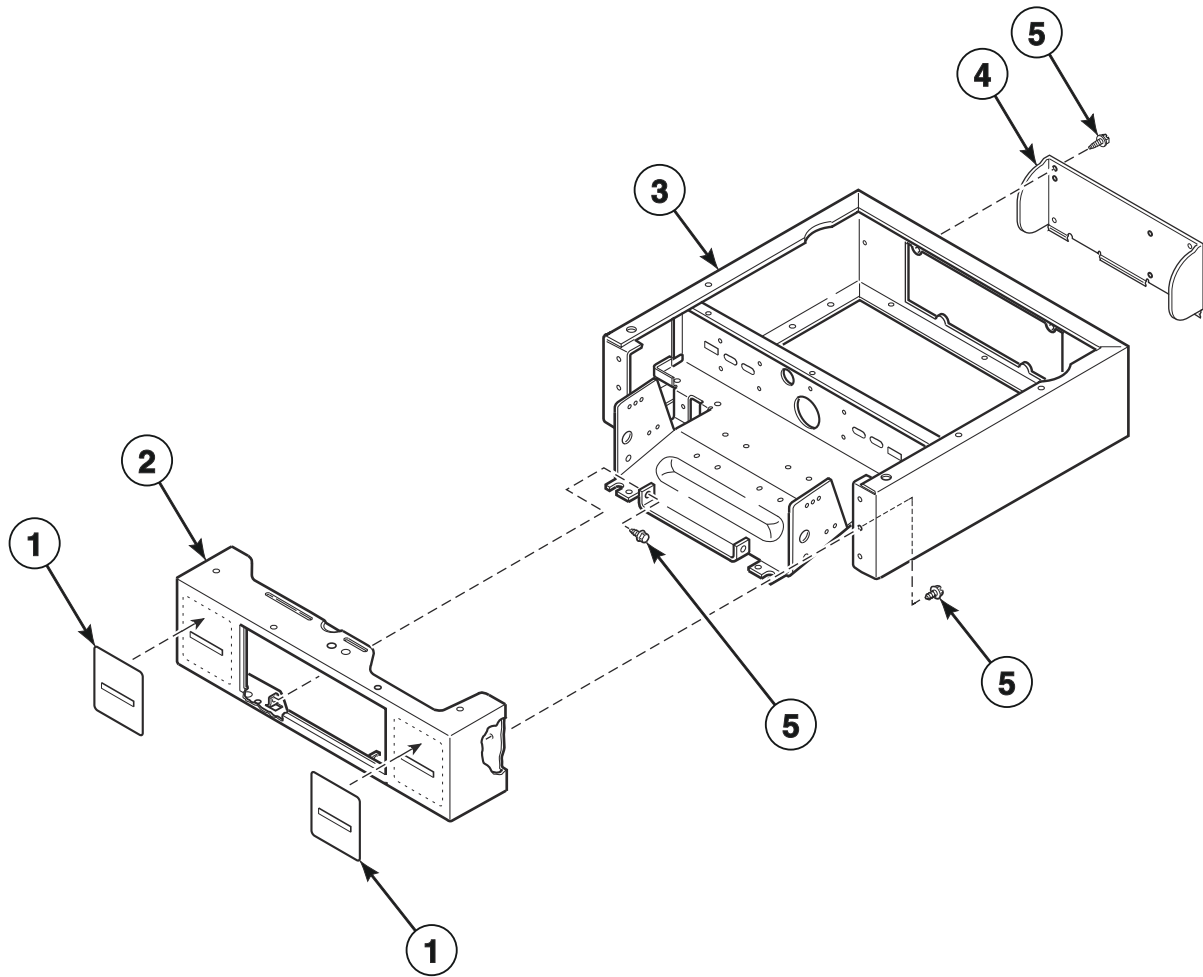
SWD1290P_806119

Card Reader and Non-Vend Control Cabinet

REF	PART NO.	DESCRIPTION	COMMENTS
	805667	Operation Instructions	Washer; Icon; Non-Vend
1	514391	Card Insert Overlay	Models STENYASP173TN01, STENYASP173TW01, STEWYAJP303NN22, STEWYAJP303NW22, STEWYASP173TW01, STGNYASP113TN01, STGNYASP113TW01, STGWYAJP303NN22, STGWYASP113TW01, STLNYASP543NW23 and STLNYASP543PW01
	514873	Overlay	Models HTENYASP283CW01 and HTENYASP293CW01
2	803972DG	Control Panel	Dark gray; Non-Vend
	803972W	Control Panel	White; Non-Vend
	803972B	Control Panel	Black; Non-Vend
	803968W	Control Panel	White; Card
	803968B	Control Panel	Black; Card
	805545B	Control Panel	Black; Models JT1JGASP413EW06, JT1JMASG413EN06, JT2JGASP413EW06 and JT2JMASG413EN06
3	M405188	Screw	Use with stainless steel side panels
	503688	Screw	Use with painted side panels
4	804108B	Wrapper Assembly	Black; Models BT3JGASP403UN01, BT3JLASP403UN01, JT1JMASG413EN06, JT2JMASG413EN06, NT2JLASP403UN01, NT3JLASP403NN22 and NT3JLASP403UN01
	804108W	Wrapper Assembly	White; Models BT3JGASG403UW01, BT3JGASP403UW01, BT3JLASG403UW01, BT3JLASP403UW01, JT1JGASP413EW06, JT2JGASP413EW06, NT1JLASP413UW06, NT2JLASP403UW01, NT2JLASP403UW06, NT3JLASG403UW01, NT3JLASP403NW22 and NT3JLASP403UW01
	804108DG	Wrapper Assembly	Dark gray; Models PT2JGASG403UG06, PT2JGASP403UG06, PT3JGASG403UG06 and PT3JGASP403UG06
	804112W	Wrapper Assembly	White; Models HTENYASP283CW01, HTENYASP293CW01, STENYASP173TN01, STENYASP173TW01, STEWYASP173TW01, STGNYASP113TN01, STGNYASP113TW01, STGWYASP113TW01, STLNYASP543NW23 and STLNYASP543PW01
	804115DG	Wrapper Assembly	Dark gray; Models PT2JGAJG403UG06, PT2JGAJP403UG06, PT3JGAJG403UG06 and PT3JGAJP403UG06
	804115B	Wrapper Assembly	Black; Model BT3JGAJP403UN01
	804115W	Wrapper Assembly	White; Models BT3JGAJP403UW01 and BT3JGAJG403UW01
	804111B	Wrapper Assembly	Black; Models STEWYAJP303NN22 and STGWYAJP303NN22
	804111W	Wrapper Assembly	White; Model STEWYAJP303NW22
5	70240301	Screw	6 required
6	803998	Rear Access Panel	
7	801788	Union	Models BT3JGAJP403UW01, BT3JGAJG403UW01, BT3JGAJP403UN01, PT2JGAJG403UG06, PT2JGAJP403UG06, PT3JGAJG403UG06, PT3JGAJP403UG06, STEWYAJP303NN22, STEWYAJP303NW22 and STGWYAJP303NN22
8	801789	Connector	Models BT3JGAJP403UW01, BT3JGAJG403UW01, BT3JGAJP403UN01, PT2JGAJG403UG06, PT2JGAJP403UG06, PT3JGAJG403UG06, PT3JGAJP403UG06, STEWYAJP303NN22, STEWYAJP303NW22 and STGWYAJP303NN22
9	70030501	Expansion Clip	6 required

Control Cabinet Front and Wrapper

Flat Front Card Models

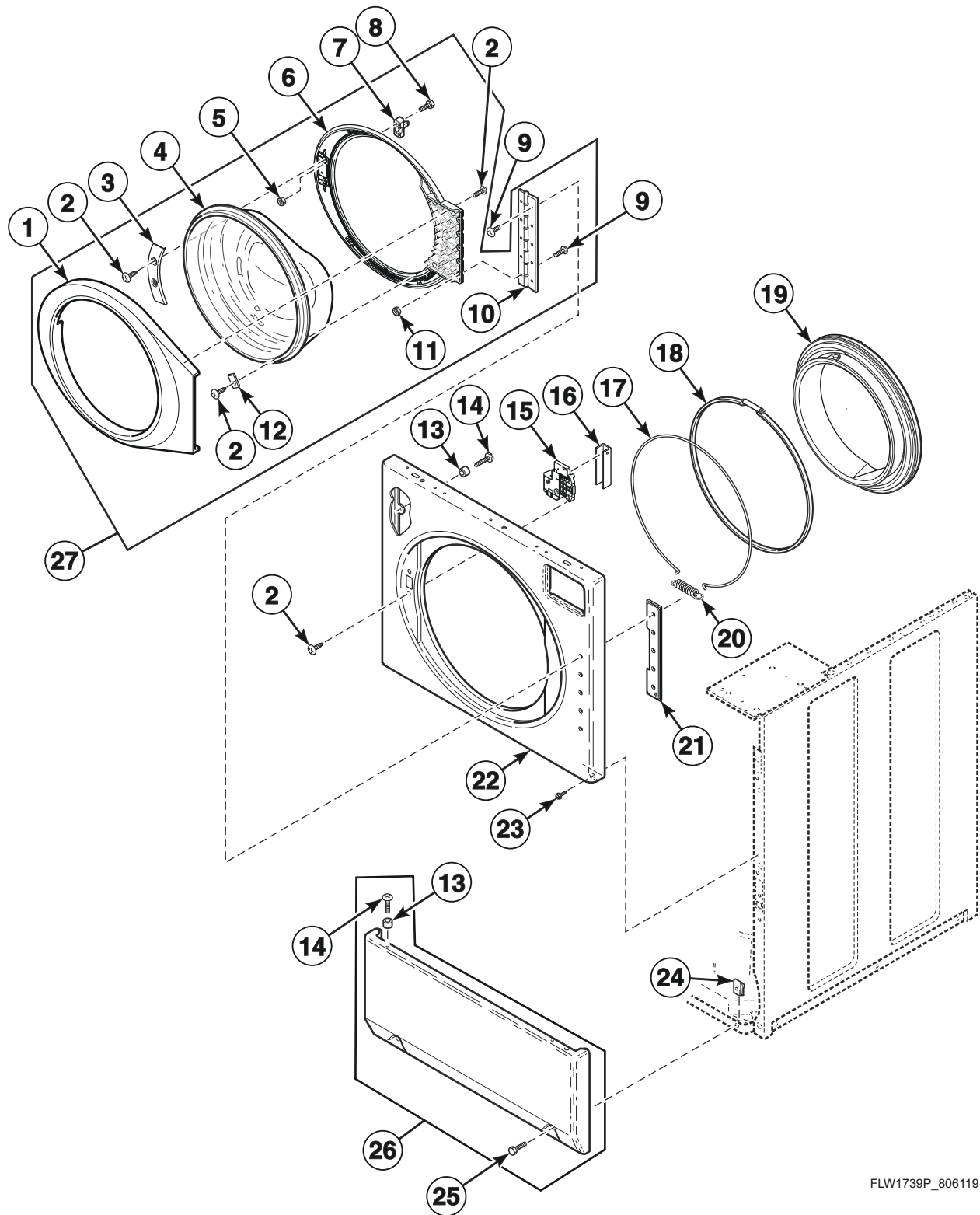


SWD1293P_806119

Control Cabinet Front and Wrapper

REF	PART NO.	DESCRIPTION	COMMENTS
1	511544	Card Insert Overlay	
2	511208W	Security Cabinet Front Assembly	
3	800231W	Security Cabinet Wrapper Assembly	
4	805834	Rear Service Panel	
5	503688	Screw	

Front Panel, Door Assembly and Door Seal

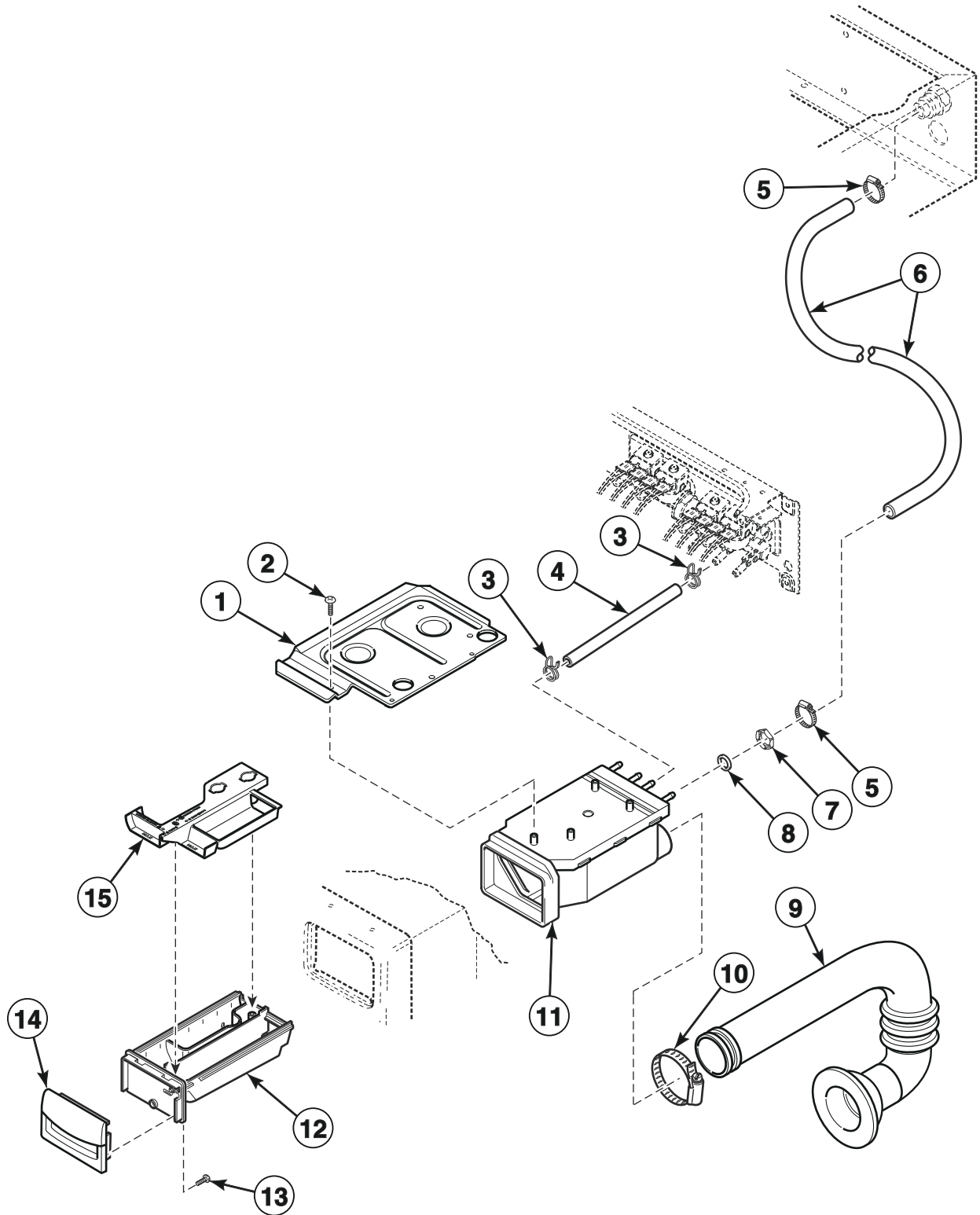


FLW1739P_806119

Front Panel, Door Assembly and Door Seal

REF	PART NO.	DESCRIPTION	COMMENTS
1	803710WP	Outer Door Bezel	White
	803711P	Outer Door Bezel	Gray
	803710BP	Outer Door Bezel	Black
2	800548	Screw	
3	804239	Door Glass Mounting Plate	
4	802695P	Door Glass	
5	685846	Nut	
6	802307P	Inner Door Bezel Kit	White
	802331P	Inner Door Bezel Kit	Gray
	804562	Inner Door Bezel	Glass filled polypropylene upgrade
7	802803	Door Catch Assembly	
8	801993	Screw	
9	801019	Screw	
10	802934	Door Hinge	
11	23951	Nut	
12	802700	Glass Mounting Clip	7 required
13	56079	Panel Locator	
14	39733	Screw	Use with painted panels
	512921	Screw	Use with stainless steel panels
15	803920	Door Latch Assembly	
16	804784	Door Lock Drip Shield	All models except HTENXASP283CW01, HTENXASP293CW01, HTENYASP283CW01, HTENYASP293CW01, HTGNXASP093CW01, NT3JLASP403NN22, NT3JLASP403NW22, NT3JXASP403NW22, NTHJXASP543NW01, NTHJYASP543NW01, PTEJXASP174TG01, PTGJXASP114TG01, ST3JXASP403NW22, STENCASP173TW01, STENCFSP173TW01, STENXASP173TW01, STENXFSP173TW01, STENYASP173TN01, STENYASP173TW01, STENYFSP173TW01, STEWYAJP303NN22, STEWYAJP303NW22, STEWYASP173TW01, STGNCASP113TW01, STGNCFSP113TW01, STGNXASG113TW01, STGNXASP113TW01, STGNXFSP113TW01, STGNYASP113TN01, STGNYASP113TW01, STGNYFSP113TW01, STGWYAJP303NN22, STGWYASP113TW01, STLNXASP543NW23, STLNYASP543NW23, STLWXASP543NN22 and TT3JXASP403NW22
17	802283	Wire Clamp Ring	
18	802281	Hose Clamp	Seal to outer tub front
19	804428P	Door Seal	Black
20	802285	Extension Spring	
21	802206	Hinge Plate	
22	802288P	Front Panel	Stainless steel
	802277WP	Front Panel	White
	802277DG	Front Panel	Dark gray
23	503661	Screw	
24	36020	Nut	
25	801045	Screw	
26	804618	Access Panel Assembly	Stainless steel
	804617W	Access Panel Assembly	White
	804617DGP	Access Panel Assembly	Dark gray
27	804083WP	Door Assembly	White
	804210	Door Assembly	Gray

Dispenser Assembly

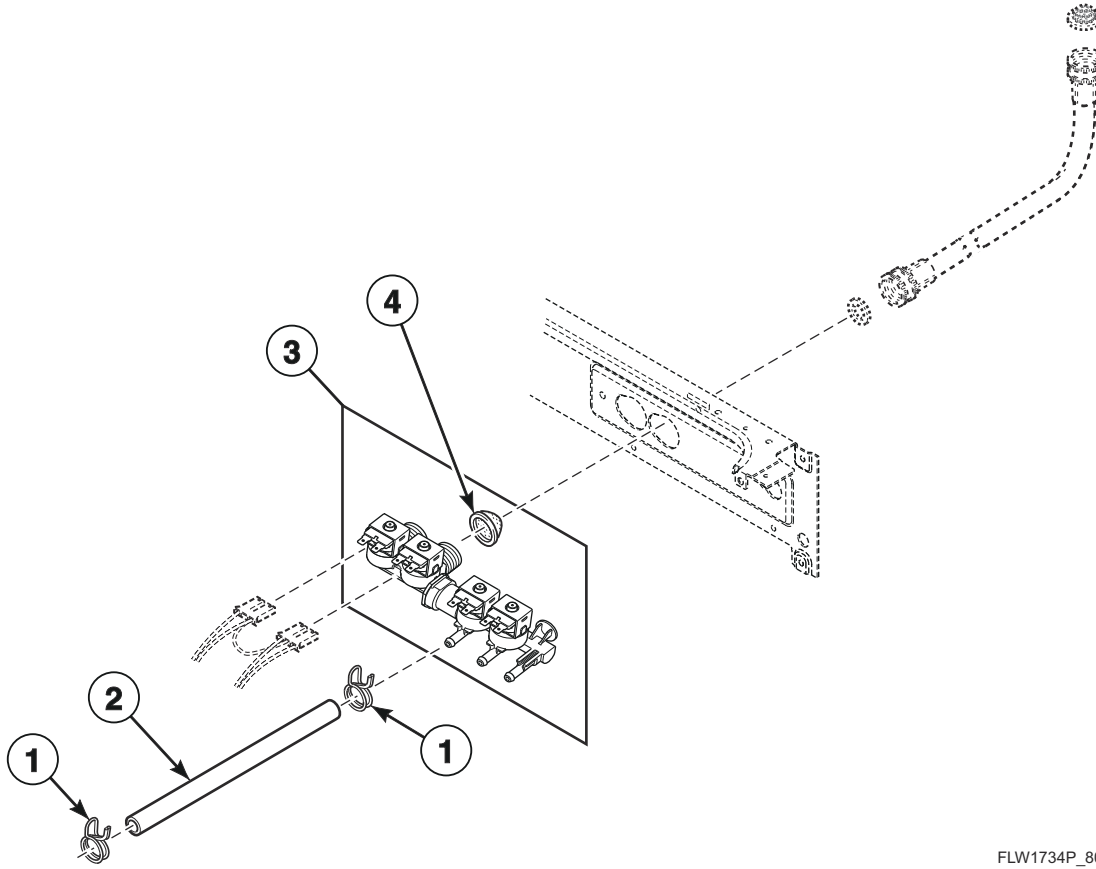


FLW1746P_806119

Dispenser Assembly

REF	PART NO.	DESCRIPTION	COMMENTS
	804875	Foam Pad	
1	803843	Dispenser Plate	
2	801001	Screw	
3	804173	Hose Clamp	
4	803849	Dispenser Inlet Hose	
5	F200206	Hose Clamp	
6	801635	Tubing	
7	802292	Nut	
8	F170208	O-Ring	
9	804717	Detergent Hose	
10	685725	Hose Clamp	
11	803698	Dispenser Assembly	
12	803667	Dispenser Drawer	
13	800548	Screw	
14	804415W	Dispenser Handle	White; Models JT1JEASP413EW06, JT1JGASP413EW06, JT1JMASG413EN06, JT1JXASP413EW06, JT2JEASP413EW06, JT2JGASP413EW06, JT2JMASG413EN06, JT2JXASP413EW06, JTEJEASP303EW06, JTEJXASP303EW06, JTGJEASP303EW06, JTGJXASP303EW06, NT1JLASP413UW06, NT1JXASP403UW06, NT2JLASP403UW06 and NT2JXASP403UW06
	804415B	Dispenser Handle	Black; Models JT1JEASP413EW06, JT1JGASP413EW06, JT1JMASG413EN06, JT1JXASP413EW06, JT2JEASP413EW06, JT2JGASP413EW06, JT2JMASG413EN06, JT2JXASP413EW06, JTEJEASP303EW06, JTEJXASP303EW06, JTGJEASP303EW06, JTGJXASP303EW06, NT1JLASP413UW06, NT1JXASP403UW06, NT2JLASP403UW06 and NT2JXASP403UW06
	804526	Dispenser Handle	Light gray; Models PT2JGAJG403UG06, PT2JGAJP403UG06, PT2JGASG403UG06, PT2JGASP403UG06, PT2JXASG403UG06, PT2JXASP403UG06, PT3JGAJG403UG06, PT3JGAJP403UG06, PT3JGASG403UG06, PT3JGASP403UG06, PT3JXASG403UG06, PT3JXASP403UG06, PTEJXASG303UG06, PTEJXASP303UG06, PTGJXASG303UG06 and PTGJXASP303UG06
	804227WP	Dispenser Handle	White; All other models
	804227B	Dispenser Handle	Black; All other models
	804228	Dispenser Handle	Light gray; All other models
15	803669	Compartment Cover	

Mixing Valve and Valve-to-Dispenser Hose

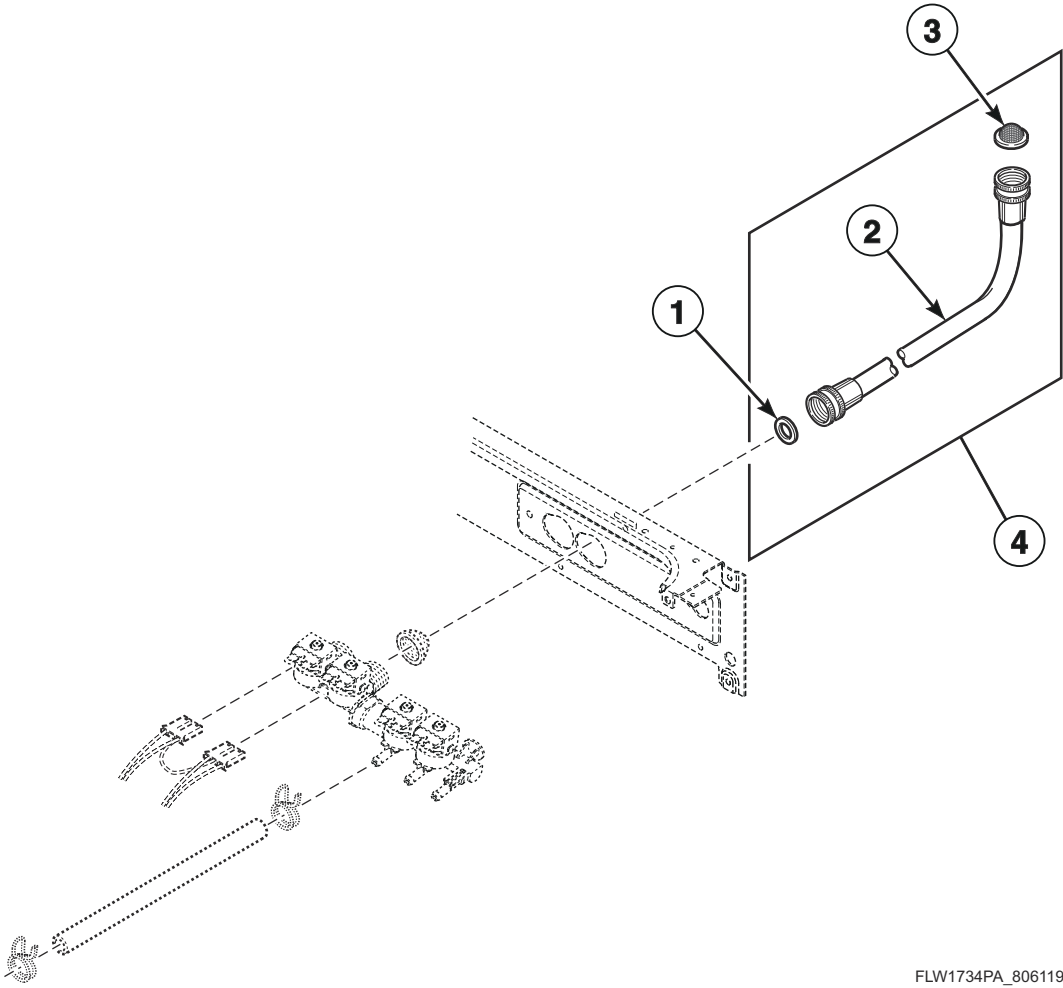


FLW1734P_806119

Mixing Valve and Valve-to-Dispenser Hose

REF	PART NO.	DESCRIPTION	COMMENTS
	804783	Mixing Valve Shield	All models except HTENXASP283CW01, HTENXASP293CW01, HTENYASP283CW01, HTENYASP293CW01, HTGNXASP093CW01, NT3JLASP403NN22, NT3JLASP403NW22, NT3JXASP403NW22, NTHJXASP543NW01, NTHJYASP543NW01, PTEJXASP174TG01, PTGJXASP114TG01, ST3JXASP403NW22, STENCASP173TW01, STENCFSP173TW01, STENXASP173TW01, STENXFSP173TW01, STENYASP173TN01, STENYASP173TW01, STENYFSP173TW01, STEWYAJP303NN22, STEWYAJP303NW22, STEWYASP173TW01, STGNCASP113TW01, STGNCFSP113TW01, STGNXASG113TW01, STGNXASP113TW01, STGNXFSP113TW01, STGNYASP113TN01, STGNYASP113TW01, STGNYFSP113TW01, STGWYAJP303NN22, STGWYASP113TW01, STLNXASP543NW23, STLNYASP543NW23, STLWXASP543NN22 and TT3JXASP403NW22
1	804173	Hose Clamp	6 required
2	803849	Dispenser Inlet Hose	
3	803809	Mixing Valve	Models HTENXASP133DW01, HTENXASP133FW01, HTENXASP283CW01, HTENXASP293CW01, HTENYASP283CW01, HTENYASP293CW01, HTGNXASP093CW01, HTGNXASP113FW01, HTGNXASP123DW01, PTEJXASP174TG01, PTGJXASP114TG01, STENCASP173TW01, STENCFSP173TW01, STENXASP133DW01, STENXASP133FW01, STENXASP173TW01, STENXFSP173TW01, STENYASP173TN01, STENYASP173TW01, STENYFSP173TW01, STEWYASP173TW01, STGNCASP113TW01, STGNCFSP113TW01, STGNXASG113JW01, STGNXASG113TW01, STGNXASP113FW01, STGNXASP113TW01, STGNXASP123DW01, STGNXFSP113TW01, STGNYASP113TN01, STGNYASP113TW01, STGNYFSP113TW01 and STGWYASP113TW01
	803838P	Mixing Valve	All other models
4	24122	Mixing Valve Screen	

Fill Hose

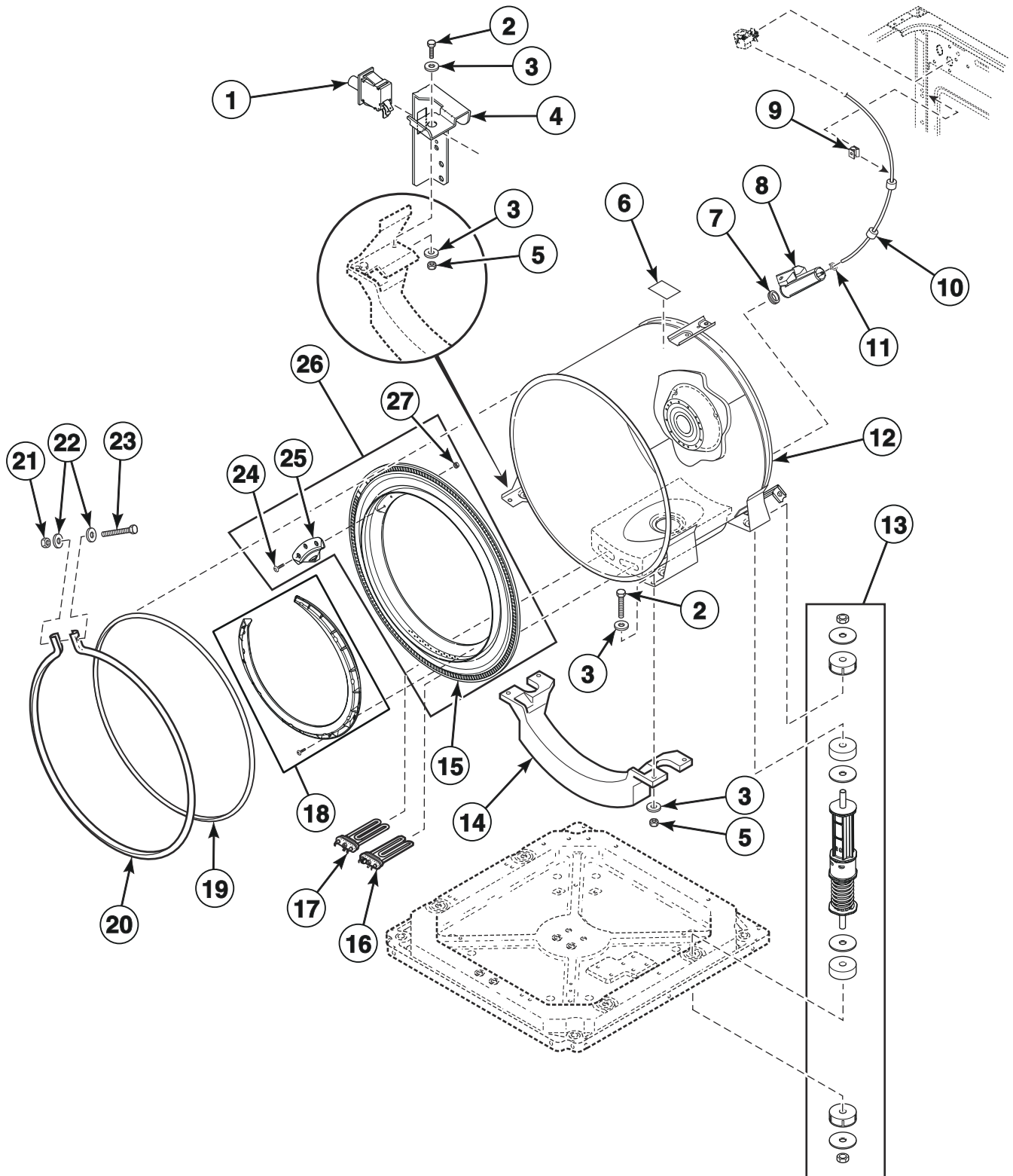


FLW1734PA_806119

Fill Hose

REF	PART NO.	DESCRIPTION	COMMENTS
1	20290	Washer	
2	202799	Fill Hose	4 feet; Hose is equipped with 2 standard hose couplings; Models HTENXASP133DW01, HTENXASP543DW01, HTGNXASP123DW01, HTGNXASP543DW01, STENXASP133DW01, STENXASP543DW01, STGNXASP123DW01 and STGNXASP543DW01
	20617	Fill Hose	8 feet; Hose is equipped with 2 standard hose couplings; Models HTENXASP283CW01, HTENXASP293CW01, HTENYASP283CW01, HTENYASP293CW01, HTGNXASP093CW01, PTEJXASP174TG01, PTGJXASP114TG01, STENCASP173TW01, STENCFSP173TW01, STENXASP173TW01, STENXFSP173TW01, STENYASP173TN01, STENYASP173TW01, STENYFSP173TW01, STEWYASP173TW01, STGNCASP113TW01, STGNCFSP113TW01, STGNXASG113TW01, STGNXASP113TW01, STGNXFSP113TW01, STGNYASP113TN01, STGNYASP113TW01, STGNYFSP113TW01 and STGWYASP113TW01
	20618	Fill Hose	10 feet; Hose is equipped with 2 standard hose couplings; Models HTENXASP283CW01, HTENXASP293CW01, HTENYASP283CW01, HTENYASP293CW01, HTGNXASP093CW01, PTEJXASP174TG01, PTGJXASP114TG01, STENCASP173TW01, STENCFSP173TW01, STENXASP173TW01, STENXFSP173TW01, STENYASP173TN01, STENYASP173TW01, STENYFSP173TW01, STEWYASP173TW01, STGNCASP113TW01, STGNCFSP113TW01, STGNXASG113TW01, STGNXASP113TW01, STGNXFSP113TW01, STGNYASP113TN01, STGNYASP113TW01, STGNYFSP113TW01 and STGWYASP113TW01
	202800	Fill Hose	4 feet; Hose is equipped with 1 standard and 1 BSPP hose coupling; All other models
3	803615	Washer	Filter screen
	802254	Washer	Flow restrictor; Water pressure reducer; Available for water pressure up to but not exceeding 120 psi
4	F200116	Water Hose	5 feet; Includes items 1-3; Hose is equipped with 2 standard hose couplings; Models HTENXASP283CW01, HTENXASP293CW01, HTENYASP283CW01, HTENYASP293CW01, HTGNXASP093CW01, PTEJXASP174TG01, PTGJXASP114TG01, STENCASP173TW01, STENCFSP173TW01, STENXASP173TW01, STENXFSP173TW01, STENYASP173TN01, STENYASP173TW01, STENYFSP173TW01, STEWYASP173TW01, STGNCASP113TW01, STGNCFSP113TW01, STGNXASG113TW01, STGNXASP113TW01, STGNXFSP113TW01, STGNYASP113TN01, STGNYASP113TW01, STGNYFSP113TW01 and STGWYASP113TW01
	203676	Hose and Washers Kit	4 feet; Includes items 1 and 2; Hose is equipped with 2 standard hose couplings; Models HTENXASP133DW01, HTENXASP543DW01, HTGNXASP123DW01, HTGNXASP543DW01, STENXASP133DW01, STENXASP543DW01, STGNXASP123DW01 and STGNXASP543DW01
	203675	Hose and Washers Kit	4 feet; Includes items 1 and 2; Hose is equipped with 1 standard and 1 BSPP hose coupling; All other models

Outer Tub, Front and Clamp Ring

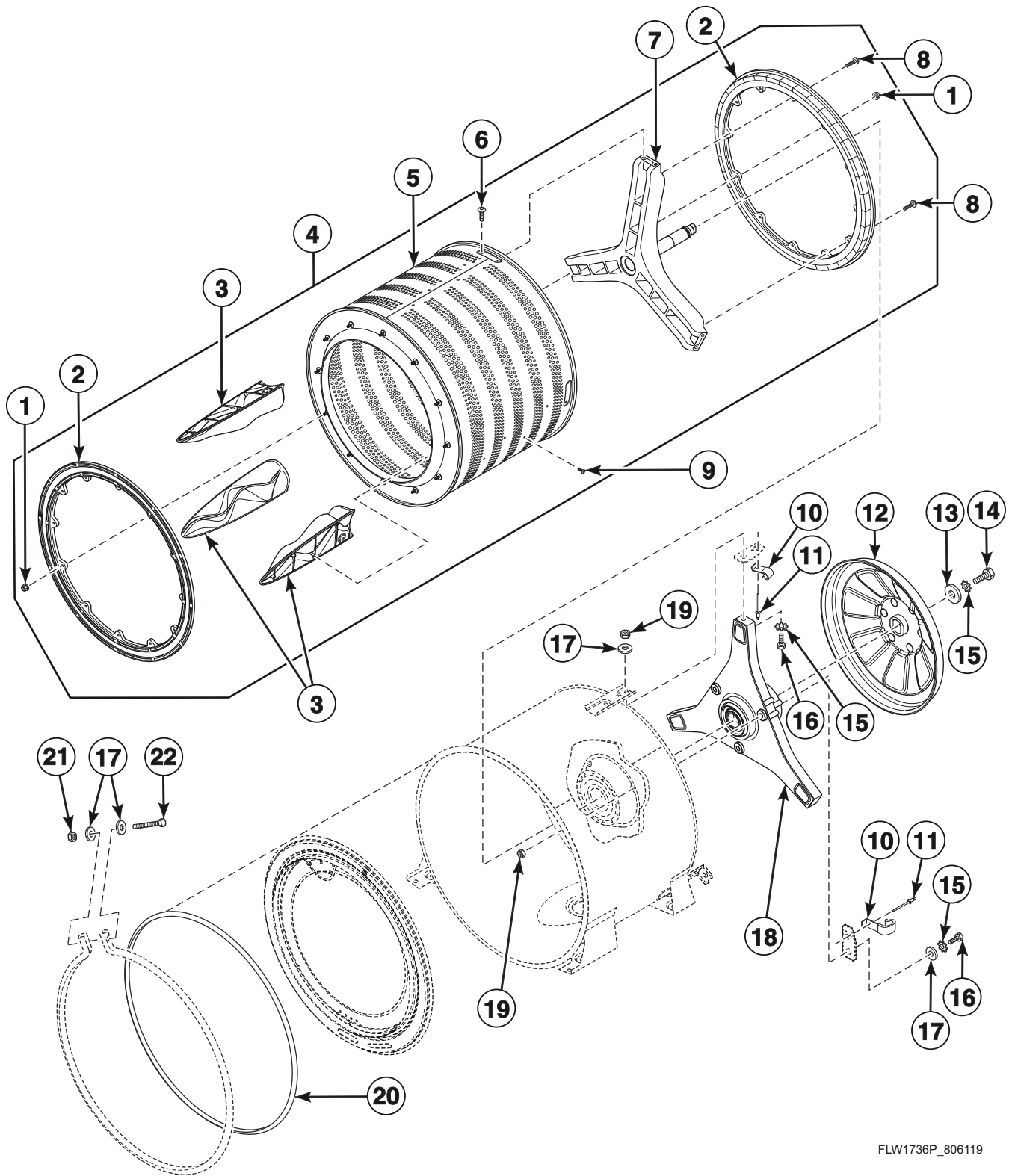


FLW1792P_806119

Outer Tub, Front and Clamp Ring

REF	PART NO.	DESCRIPTION	COMMENTS
1	803415	Out-of-Balance Switch Assembly	
2	800461	Screw	
3	804458	Washer	
4	804457	Out-of-Balance Switch Bracket	
5	800452	Nut	
6	500049	Warning Label	
7	29175	Grommet	
8	803837	Pressure Bulb	
9	36985	Hose Clip	
10	804483	Pressure Sensor Tube Assembly	
11	803891	Hose Clamp	
12	803865	Outer Tub Assembly	Models with heater
	803864	Outer Tub Assembly	All other models
13	803777	Shock Assembly	Must replace all four
14	803810	Counterweight	
15	803770	Tub Front	
16	804777P	Heating Element	Includes thermistor; Models with heater
17	804778P	Heating Element	Models with heater
18	806308	Foreign Object Deflector	Black; Includes screws
	806313	Foreign Object Deflector	Tall; Gray; Includes screws
19	803801	Tub Front Seal	
20	803802	Clamp Ring	
21	F430218	Nut	
22	M400081	Washer	
23	800462	Screw	
24	802596	Screw	
25	804467	Clothes Guard Deflector	
	804482	Clothes Guard Deflector	Heavy duty
26	803879	Tub Front Assembly	Includes items 15, 24, 25 and 27
27	802343	Nut	

Inner Basket, Trunnion, Bearing Housing and Pulley

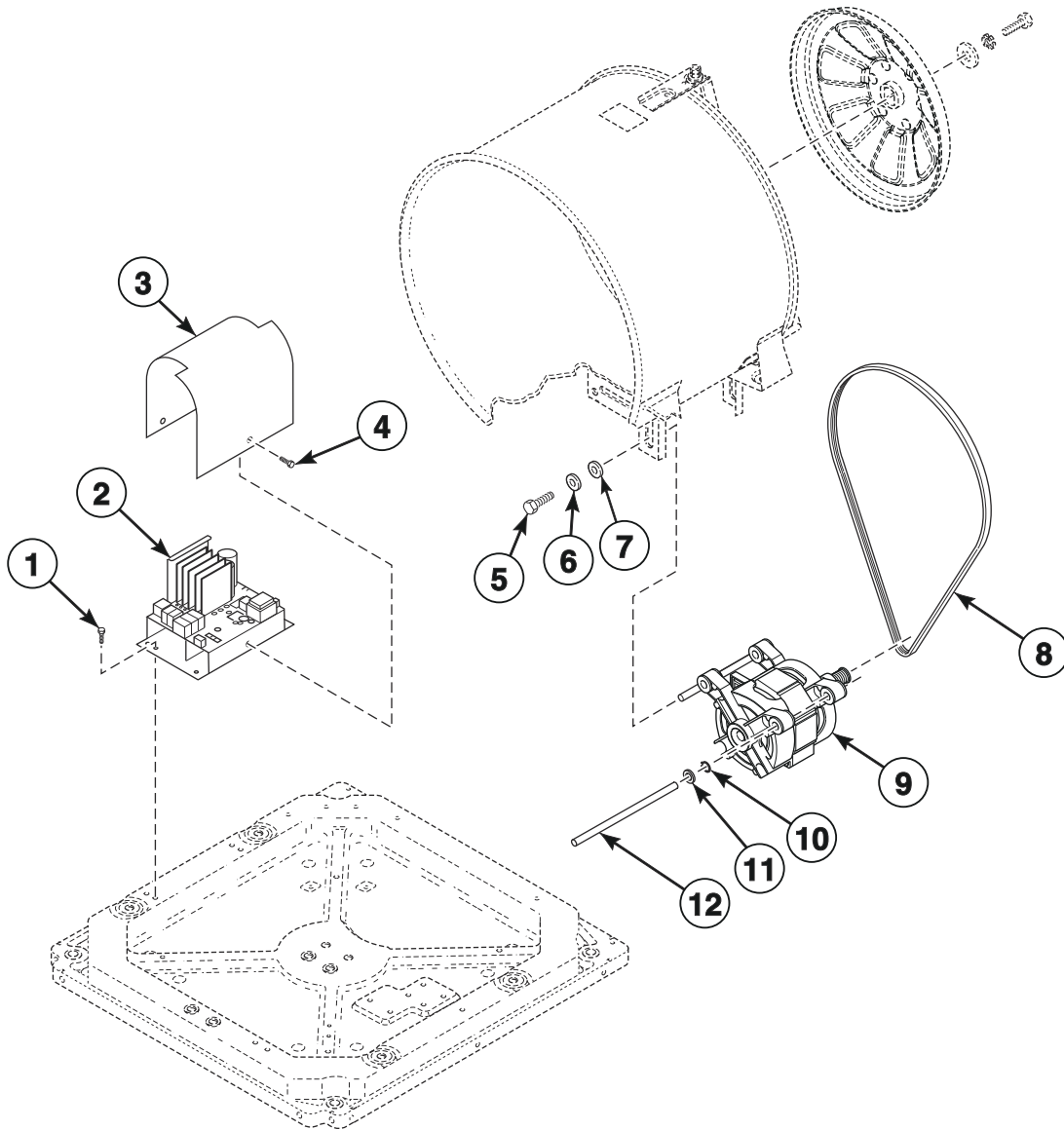


FLW1736P_806119

Inner Basket, Trunnion, Bearing Housing and Pulley

REF	PART NO.	DESCRIPTION	COMMENTS
	27604P	Anti-Seize Compound	Pulley to inner basket shaft
	805730	Bearing Kit	
1	804418	Nut	
2	804393	Balance Ring Assembly	
3	804382	Lifter	
4	805485	Inner Basket Assembly	Models STENXASP433AW12 and STGNXASP303AW12
	804376P	Inner Basket Assembly Kit	All other models
5	804374P	Inner Basket Assembly	
6	804699	Screw	
7	804405	Trunnion Assembly	
8	804399	Screw	
9	800548	Screw	
10	800553	Hose Clip	
11	685847	Pop Rivet	
12	803974	Pulley Assembly	
13	685831	Screw	Left hand thread
14	M403958	Washer	
15	800464	Washer	
16	M400043	Screw	
17	800457	Washer	
18	803684P	Bearing Housing Assembly	
19	800452	Nut	
20	800432P	Tub Front Seal	
21	F430218	Nut	
22	800462	Screw	

Motor and Belt



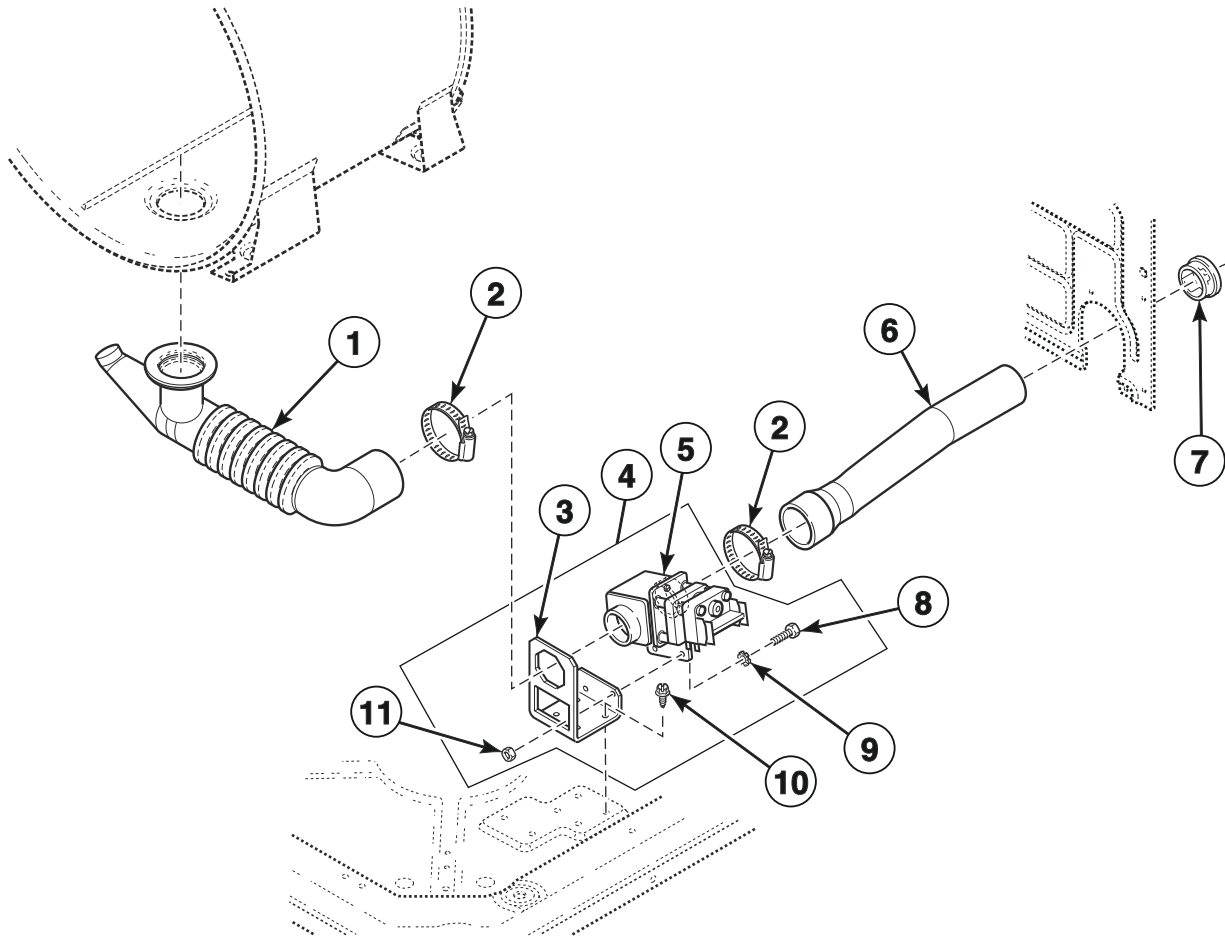
FLW1735P_806119

Motor and Belt

REF	PART NO.	DESCRIPTION	COMMENTS
1	503661	Screw	
2	803949P	Inverter Control Assembly	
3	804878	Motor Control Shield	Models HTENXASP283CW01, HTENXASP293CW01, HTENYASP283CW01, HTENYASP293CW01, HTGNXASP093CW01, NT3JLASP403NN22, NT3JLASP403NW22, NT3JXASP403NW22, NTHJXASP543NW01, NTHJYASP543NW01, PTEJXASP174TG01, PTGJXASP114TG01, ST3JXASP403NW22, STENCASP173TW01, STENCFSP173TW01, STENXASP173TW01, STENXFSP173TW01, STENYASP173TN01, STENYASP173TW01, STENYFSP173TW01, STEWYAJP303NN22, STEWYAJP303NW22, STEWYASP173TW01, STGNCASP113TW01, STGNCFSP113TW01, STGNXASG113TW01, STGNXASP113TW01, STGNXFSP113TW01, STGNYASP113TN01, STGNYASP113TW01, STGNYFSP113TW01, STGWYAJP303NN22, STGWYASP113TW01, STLNXASP543NW23, STLNYASP543NW23, STLWXASP543NN22 and TT3JXASP403NW22
	804792	Motor Control Shield	All other models
4	501524	Screw	
5	M400057	Screw	
6	02834	Washer	
7	M400080	Washer	
8	804985	Drive Belt	
9	805726P	Motor and Rod Assembly Kit	Includes item 12
10	23748	Retaining Ring	
11	52549	Washer	
12	803861	Motor Rod	

Drain Hose and Valve

Gravity Drain Models



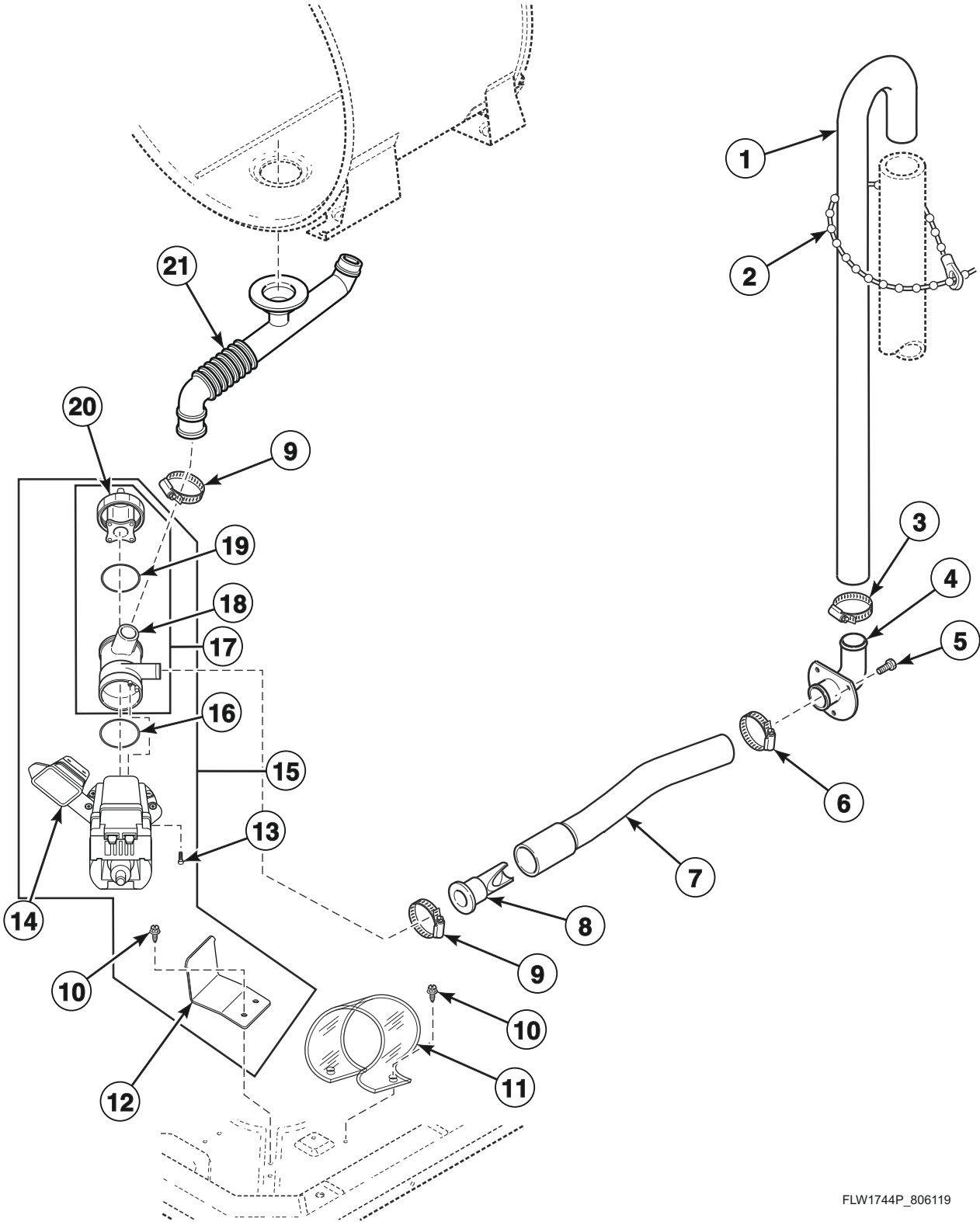
FLW1745P_806119

Drain Hose and Valve

REF	PART NO.	DESCRIPTION	COMMENTS
1	803873	Tub-to-Drain Hose	With heater
	803874	Tub-to-Gravity Drain Hose	Without heater
2	685725	Hose Clamp	
3	803291	Gravity Drain Bracket	
4	F975P3	Drain Valve Kit	120 Volt; Models STGNXASG113JW01 and STGNXASG113TW01
	F976P3	Drain Valve Kit	220 Volt; All other models
5	803293	Drain Valve	120 Volt; Models STGNXASG113JW01 and STGNXASG113TW01
	803292	Gravity Drain Valve	220 Volt; All other models
6	800903	Drain-to-Cabinet Hose	
7	503235	Snap Bushing	
8	02916	Screw	
9	M400017	Washer	
10	503661	Screw	
11	29786	Nut	

Drain Hose and Pump

Pump Models

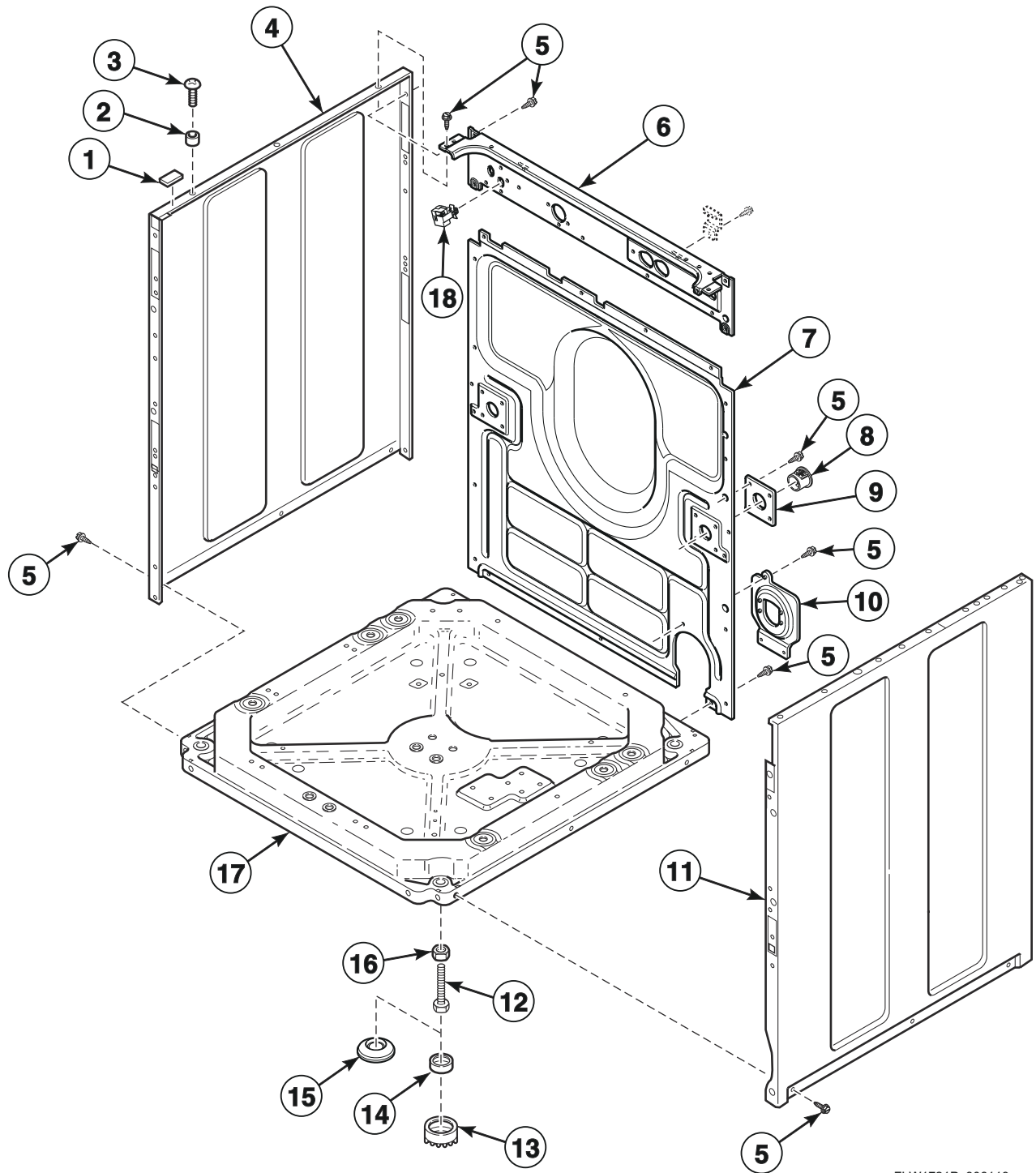


FLW1744P_806119

Drain Hose and Pump

REF	PART NO.	DESCRIPTION	COMMENTS
	805771	Pump-to-Gravity Drain Kit	100-127 Volt models
	805769	Pump-to-Gravity Drain Kit	220-240 Volt models with heater
	805770	Pump-to-Gravity Drain Kit	220-240 Volt models without heater
1	27154	Drain Hose	
2	33489	Standpipe Strap	
3	20211	Hose Clamp	
4	35766	Drain Hose Elbow	
5	52909	Screw	
6	20391	Hose Clamp	
7	803734	Pump-to-Elbow Hose	
8	800310	Backflow Preventer	
9	F200204	Hose Clamp	
10	503661	Screw	
11	805561	Drain Pump Drip Shield	All models except HTENXASP283CW01, HTENXASP293CW01, HTENYASP283CW01, HTENYASP293CW01, HTGNXASP093CW01, NT3JLASP403NN22, NT3JLASP403NW22, NT3JXASP403NW22, NTHJXASP543NW01, NTHJYASP543NW01, PTEJXASP174TG01, PTGJXASP114TG01, ST3JXASP403NW22, STENCASP173TW01, STENCFSP173TW01, STENXASP173TW01, STENXFSP173TW01, STENYASP173TN01, STENYASP173TW01, STENYFSP173TW01, STEWYAJP303NN22, STEWYAJP303NW22, STEWYASP173TW01, STGNCASP113TW01, STGNCFSP113TW01, STGNXASP113TW01, STGNXFSP113TW01, STGNYASP113TN01, STGNYASP113TW01, STGNYFSP113TW01, STGWYAJP303NN22, STGWYASP113TW01, STLNXASP543NW23, STLNYASP543NW23, STLWXASP543NN22 and TT3JXASP403NW22
12	803814	Drain Base Bracket	
13	802431	Screw	
14	803815	Drain Pump Isolator	
15	805722P	Drain Pump Assembly	208-240 Volt; 60 Hertz; Includes items 10, 12-14 and 16-20; Models HTENXASP543DW01, HTGNXASP543DW01, NTHJXASP543NW01, NTHJYASP543NW01, PTEJXASP543ZG01, PTGJXASP543ZG01, STENXASP543DW01, STGNXASP543DW01, STLNXASP543NW23, STLNYASP543NW23, STLNYASP543PW01 and STLWXASP543NN22
	803921P	Drain Pump Assembly	120 Volt; 60 Hertz; Includes items 10, 12-14 and 16-20; Models HTENXASP283CW01, HTENXASP293CW01, HTENYASP283CW01, HTENYASP293CW01, HTGNXASP093CW01, HTGNXASP113FW01, PTEJXASP174TG01, PTGJXASP114TG01, STENCASP173TW01, STENCFSP173TW01, STENXASP173TW01, STENXFSP173TW01, STENYASP173TN01, STENYASP173TW01, STENYFSP173TW01, STEWYASP173TW01, STGNXASP113TW01, STGNYASP113TN01, STGNYASP113TW01, STGNYFSP113TW01 and STGWYASP113TW01
	805724P	Drain Pump Assembly	100-127 Volt; 60 Hertz; Includes items 10, 12-14 and 16-20; Models HTENXASP133DW01, HTGNXASP123DW01, STENXASP133DW01 and STGNXASP123DW01
	803922	Drain Pump Assembly	220-240 Volt; 50 Hertz; Includes items 10, 12-14 and 16-20; All other models
16	802429P	O-Ring	
17	802434P	Pump Housing Assembly	Includes items 18-20
18	802428	Pump Housing	
19	802427	Gasket	
20	802426P	Lid Assembly	Includes filter
21	803816	Tub-to-Pump Hose	Models with heater
	803829	Tub-to-Pump Hose	Models without heater

Washer Base, Side Panels and Rear Panel



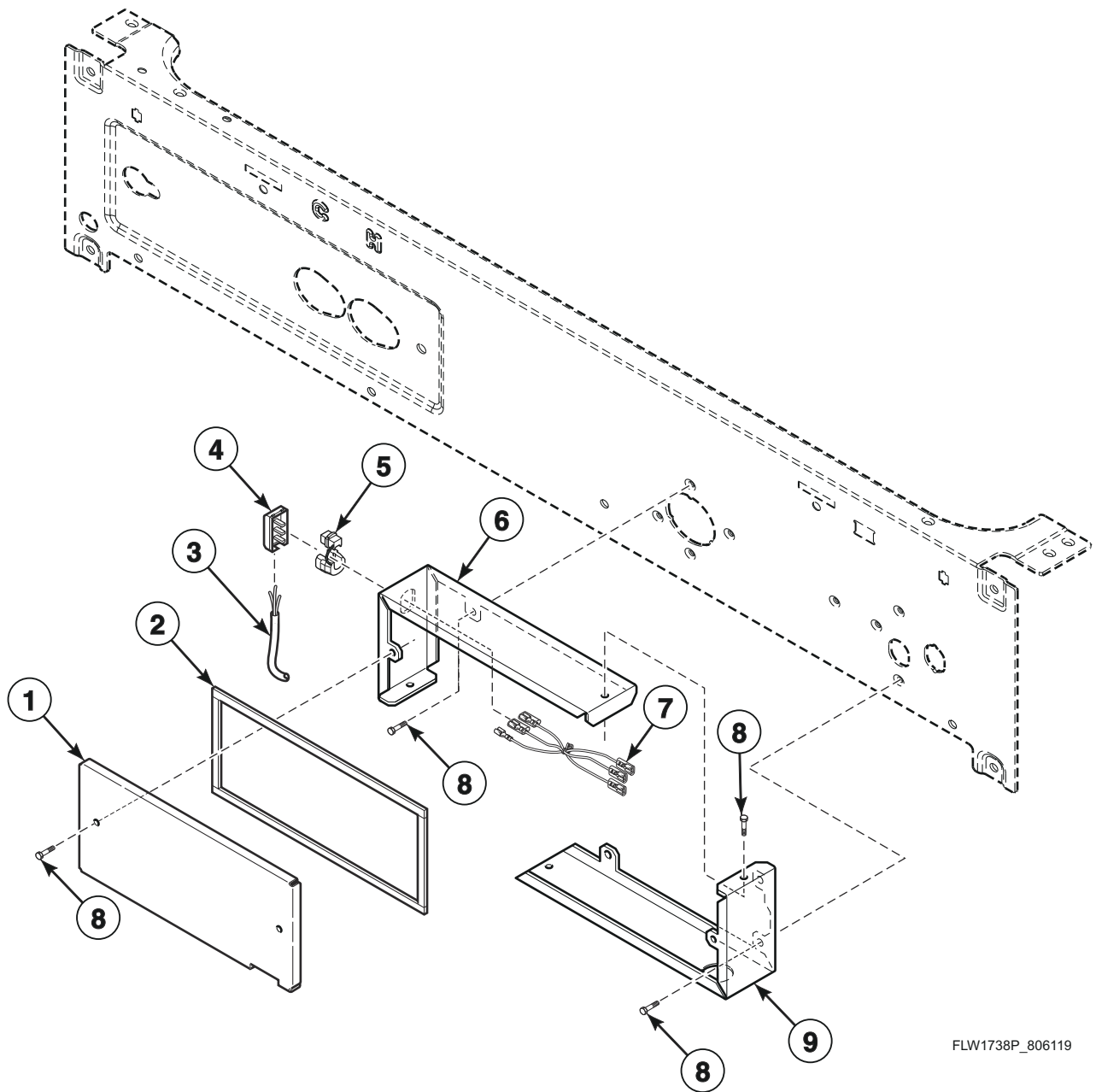
FLW1721P_806119

Washer Base, Side Panels and Rear Panel

REF	PART NO.	DESCRIPTION	COMMENTS
	122P4P	Porcelain Touch-Up Paint	White
	806436P	Paint	Dark gray
1	36226	Bumper Pad	
2	56079	Panel Locator	
3	512921	Screw	Use with stainless steel panels
	39733	Screw	Use with painted panels
4	802525P	Cabinet Side Panel	Left; Stainless steel
	800004WP	Cabinet Panel Kit	Left; White; Includes corner gusset with hardware
	800004DG	Cabinet Side Panel	Left; Dark gray
5	503661	Screw	
6	803790	Rear Panel	Fixed
7	803789	Rear Panel	Removable
8	803859	Shipping Plug	
9	803851	Shipping Plate	
10	803833	Gravity Drain Bracket	Models BT3JGAJG403UW01, BT3JGASG403UW01, BT3JLASG403UW01, BT3JXASG403UW01, JT1JMASG413EN06, JT2JMASG413EN06, NT3JLASG403UW01, NT3JXASG403UW01, PT2JGAJG403UG06, PT2JGASG403UG06, PT2JXASG403UG06, PT3JGAJG403UG06, PT3JGASG403UG06, PT3JXASG403UG06, PTEJXASG303UG06, PTEJXASG543ZG01, PTGJXASG303UG06, PTGJXASG543ZG01, STGNXASG113JW01 and STGNXASG113TW01
	803828	Drain Hose Bracket	All other models
11	802526P	Cabinet Side Panel	Right; Stainless steel
	800005W	Cabinet Side Panel	Right; White
	800005DG	Cabinet Side Panel	Right; Dark gray
12	501855	Rubber Foot	Use to prevent movement on smooth surface floor coverings; Install over two existing front rubber feet (item 17)
13	34318	Rubber Foot	
14	155P3	Anchor	Includes 4 rubber discs with adhesive backing
	802844P	Anchor Floor Mount Assembly	Includes 2 rubber discs with adhesive backing
15	34319	Leveling Leg	
16	21899	Nut	
17	803876	Base Assembly	
18	202470	Pressure Sensor	

Washer Junction Box

Models HTENXASP133DW01, HTENXASP133FW01, HTENXASP543DW01, HTGNXASP113FW01, HTGNXASP123DW01, HTGNXASP543DW01, PTEJXASG303UG06, PTEJXASG543ZG01, PTEJXASP303UG06, PTEJXASP434AG01, PTEJXASP543ZG01, PTGJXASG303UG06, PTGJXASG543ZG01, PTGJXASP303UG06, PTGJXASP304AG01, PTGJXASP543ZG01, STENXASP133DW01, STENXASP133FW01, STENXASP433AW01, STENXASP433AW12, STENXASP543DW01, STEWYAJP303NN22, STEWYAJP303NW22, STGNXASG113JW01, STGNXASP113FW01, STGNXASP123DW01, STGNXASP303AW01, STGNXASP303AW12, STGNXASP543DW01, STGWYAJP303NN22, STLNXASP543NW23, STLNYASP543NW23, STLNYASP543PW01 and STLWXASP543NN22



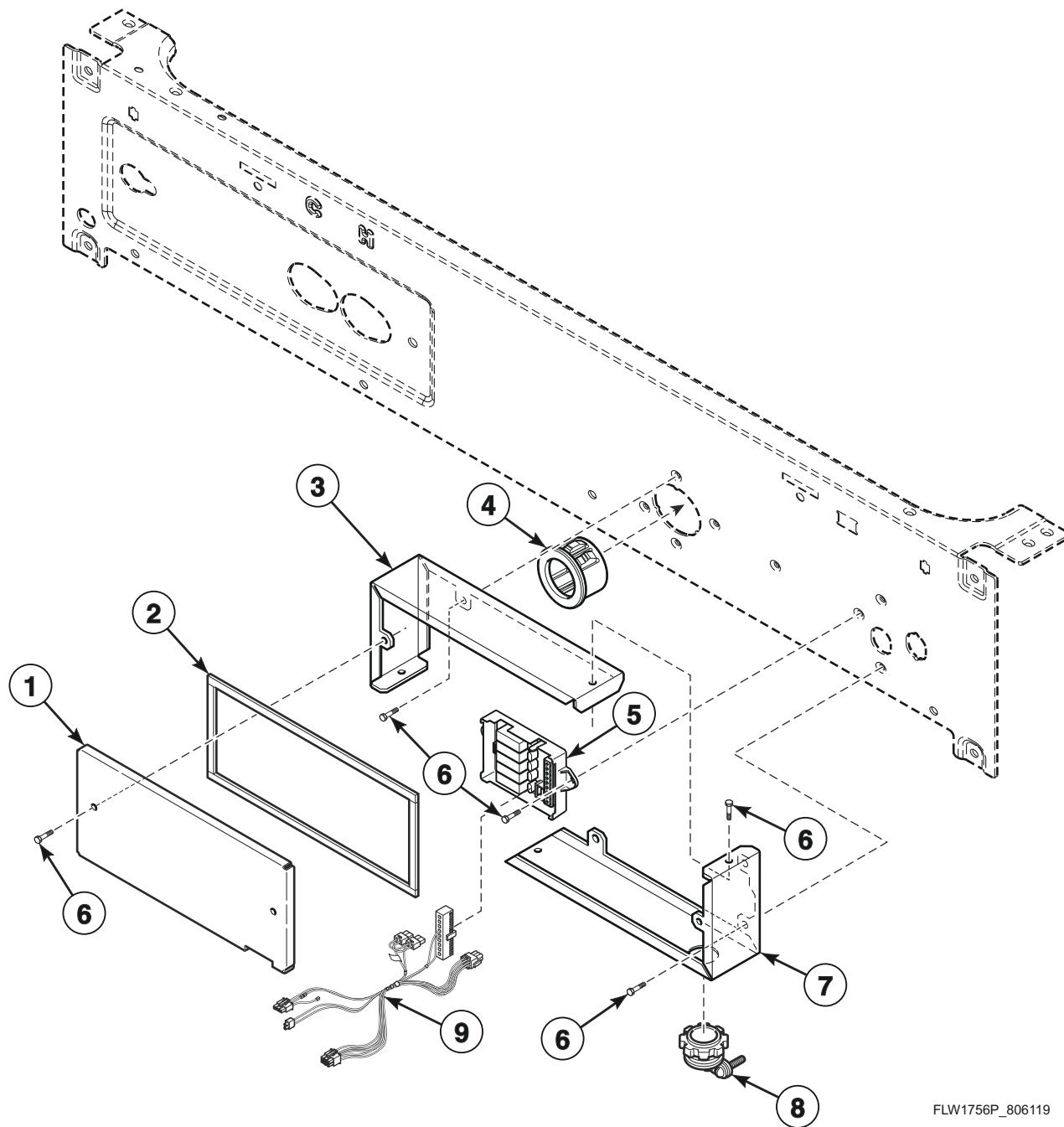
FLW1738P_806119

Washer Junction Box

REF	PART NO.	DESCRIPTION	COMMENTS
1	803820	Junction Box Cover	
2	803832	Junction Box Seal	
3	805974	Lead-In Cord	Model STLNYASP543PW01
	39926	Lead-In Cord	Models STLNXASP543NW23, STLNYASP543NW23 and STLWXASP543NN22
	202624	Power Cord Assembly	Model STGNXASG113JW01
	39931	Power Cord Assembly	Models PTEJXASP434AG01, PTGJXASP304AG01, STENXASP433AW01, STENXASP433AW12, STGNXASP303AW01 and STGNXASP303AW12
	804556	Lead-In Cord Assembly	Models HTENXASP133DW01, HTENXASP543DW01, HTGNXASP123DW01, HTGNXASP543DW01, STENXASP133DW01, STENXASP543DW01, STGNXASP123DW01 and STGNXASP543DW01
	802012	Power Cord Assembly	Models HTENXASP133FW01, HTGNXASP113FW01, STENXASP133FW01 and STGNXASP113FW01
	801450	Power Cord Assembly	All other models
	4	39922	Cable Connection Box
5	60298	Strain Relief	Model STGNXASG113JW01
	38384	Strain Relief	All other models
6	804559	Junction Box	Upper; Model STGNXASG113JW01
	803818	Junction Box	Upper; All other models
7	804805	Filter Jumper Harness	Filter to terminal block; All models except STGNXASG113JW01
8	503661	Screw	
9	804561	Junction Box	Lower; Models STEWYAJP303NN22, STEWYAJP303NW22 and STGWYAJP303NN22
	803819	Junction Box	Lower; All other models

Supply Injection Junction Box

Models BT3JGAJP403UW01, BT3JGAJG403UW01, BT3JGAJP403UN01, PT2JGAJG403UG06, PT2JGAJP403UG06, PT3JGAJG403UG06, PT3JGAJP403UG06, STEWYAJP303NN22, STEWYAJP303NW22 and STGWYAJP303NN22

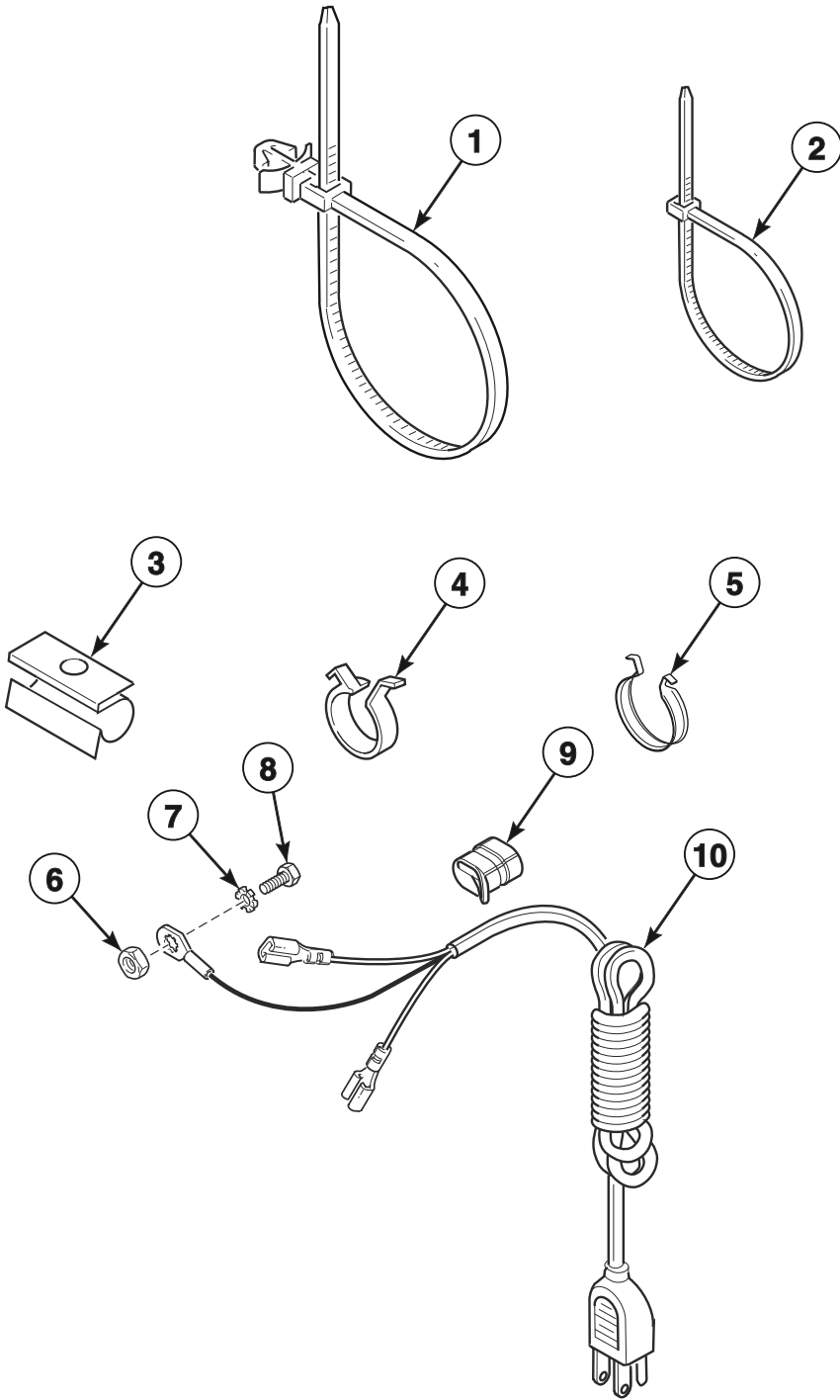


FLW1756P_806119

Supply Injection Junction Box

REF	PART NO.	DESCRIPTION	COMMENTS
	805772	Chemical Injection Conversion Kit	
	804607	Chemical Injection Label	
1	803820	Junction Box Cover	
2	803832	Junction Box Seal	
3	803818	Junction Box	Upper; Models STEWYAJP303NN22, STEWYAJP303NW22 and STGWYAJP303NN22
	803827	Junction Box	All other models
4	M402542	Snap Bushing	
5	804528	Chemical Injection Control	
6	503661	Screw	Upper
7	804561	Junction Box	Lower
8	M400149	Connector	
9	804799	Supply Injection Wire Harness Assembly	

Washer Lead-In Cord, Wire Ties and Harness Clips



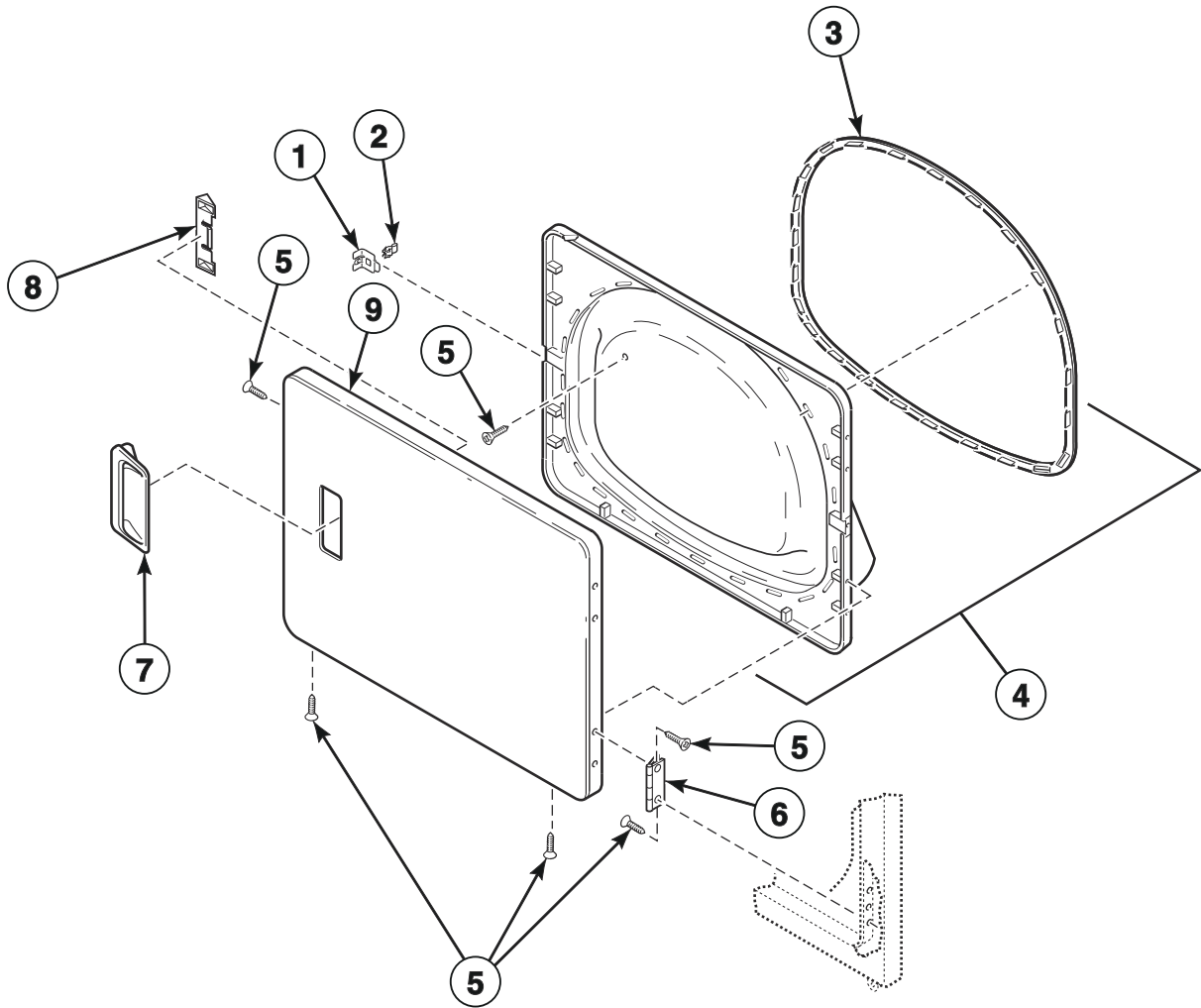
FLW823P_806119

Washer Lead-In Cord, Wire Ties and Harness Clips

REF	PART NO.	DESCRIPTION	COMMENTS
1	38663	Wire Tie	
2	55881	Harness Strap	
3	36985	Hose Clip	
4	504034	Wire Clip	Small
5	687500	Wire Clip	Large
6	03673	Nut	
7	03815	Washer	
8	20530	Screw	
9	38384	Strain Relief	
10	202777	Lead-In Cord	Models PTEJXASP174TG01, PTGJXASP114TG01, STENCASP173TW01, STENCFSP173TW01, STENXASP173TW01, STENXFSP173TW01, STENYASP173TN01, STENYASP173TW01, STENYFSP173TW01, STEWYASP173TW01, STGNCASP113TW01, STGNCFSP113TW01, STGNXASG113TW01, STGNXASP113TW01, STGNXFSP113TW01, STGNYASP113TN01, STGNYASP113TW01, STGNYFSP113TW01 and STGWYASP113TW01
	805762	Power Cord Assembly	Models JT1JEASP413EW06, JT1JGASP413EW06, JT1JXASP413EW06, JT2JEASP413EW06, JT2JGASP413EW06, JT2JXASP413EW06, NT1JLASP413UW06, NTHJXASP543NW01 and NTHJYASP543NW01
	805761	Power Cord Assembly	Models BT3JGAJP403UW01, BT3JGAJG403UW01, BT3JGAJP403UN01, BT3JGASG403UW01, BT3JGASP403UN01, BT3JGASP403UW01, BT3JLASG403UW01, BT3JLASP403UN01, BT3JLASP403UW01, BT3JXASG403UW01, BT3JXASP403UN01, BT3JXASP403UW01, JT1JMASG413EN06, JT2JMASG413EN06, NT1JXASP403UW06, NT2JLASP403UN01, NT2JLASP403UW01, NT2JLASP403UW06, NT2JXASP403UN01, NT2JXASP403UW06, NT3JLASG403UW01, NT3JLASP403NN22, NT3JLASP403NW22, NT3JLASP403UN01, NT3JLASP403UW01, NT3JXASG403UW01, NT3JXASP403NW22, NT3JXASP403UN01, NT3JXASP403UW01, PT2JGAJG403UG06, PT2JGAJP403UG06, PT2JGASG403UG06, PT2JGASP403UG06, PT2JXASG403UG06, PT2JXASP403UG06, PT3JGAJG403UG06, PT3JGAJP403UG06, PT3JGASG403UG06, PT3JGASP403UG06, PT3JXASG403UG06, PT3JXASP403UG06, ST1JXASP403EW06, ST2JXASP403EW06, ST3JXASP403NW22 and TT3JXASP403NW22

Dryer Door (Drawing 1 of 3)

Models with Solid Door



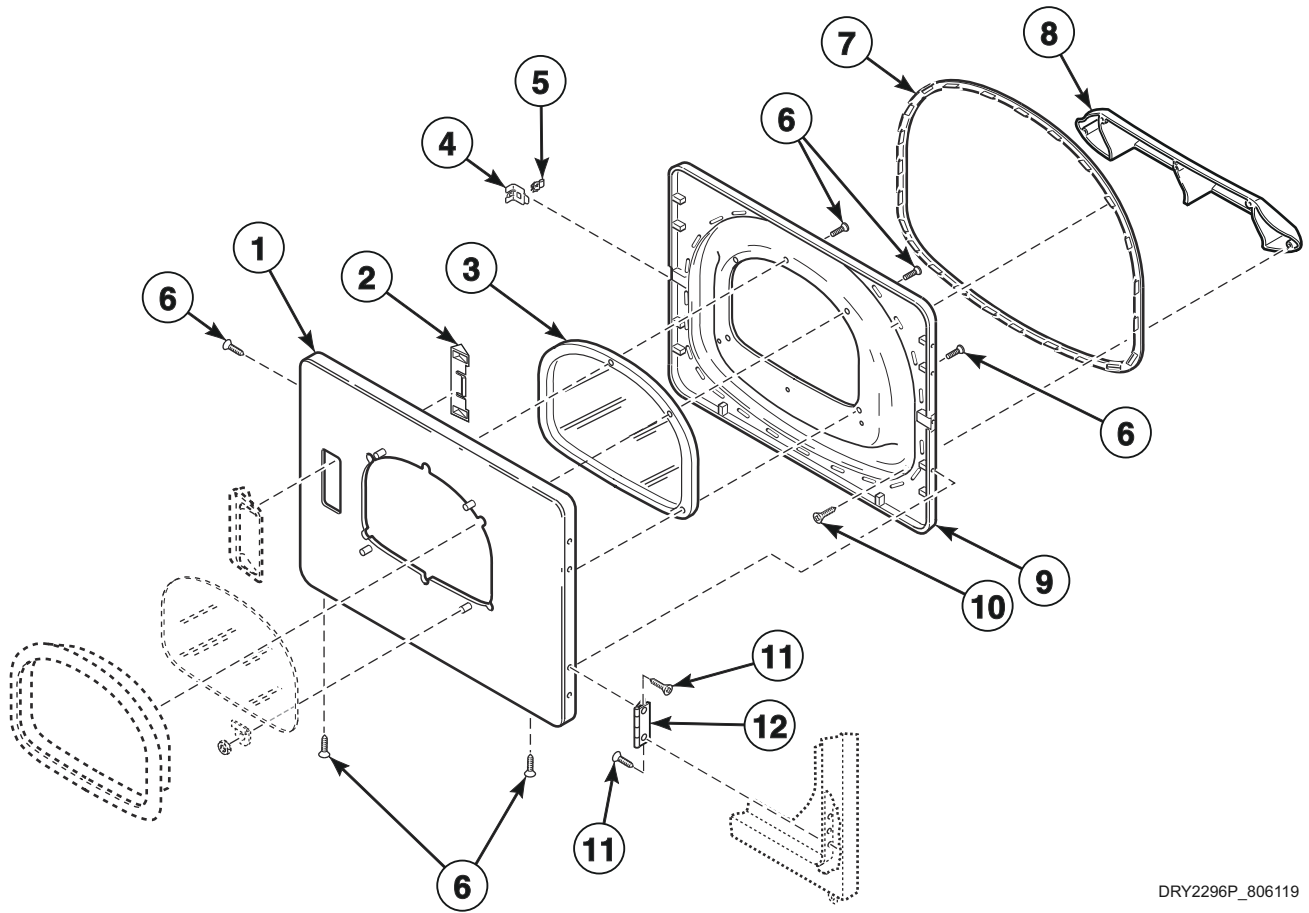
DRY1784P_806119

Dryer Door (Drawing 1 of 3)

REF	PART NO.	DESCRIPTION	COMMENTS
1	510127	Door Strike Mount	
2	510181	Door Strike	
3	510147P	Liner Door Seal	
4	513109P	Liner, Seal and Grill Assembly	Includes item 3; Models BT3JGAJP403UN01, BT3JGASP403UN01, BT3JLASP403UN01, BT3JXASP403UN01, NT2JLASP403UN01, NT2JXASP403UN01, NT3JLASP403NN22, NT3JLASP403UN01, PTEJXASP174TG01, STENYASP173TN01, STEWYAJP303NN22, STGNYASP113TN01, STGWYAJP303NN22 and STLWXASP543NN22
	510163WP	Liner, Seal and Grill Assembly	Includes item 3; All other models
5	505295	Screw	
6	511036	Hinge	
7	511213P	Door Pull and Wedge Kit	Black; Models BT3JGAJP403UN01, BT3JGASP403UN01, BT3JLASP403UN01, BT3JXASP403UN01, NT2JLASP403UN01, NT2JXASP403UN01, NT3JLASP403NN22, NT3JLASP403UN01, STENYASP173TN01, STEWYAJP303NN22, STGNYASP113TN01, STGWYAJP303NN22 and STLWXASP543NN22
	512947	Door Pull	Light gray; All other models
8	510129LG	Door Handle Wedge	Models BT3JGAJP403UN01, BT3JGASP403UN01, BT3JLASP403UN01, BT3JXASP403UN01, NT2JLASP403UN01, NT2JXASP403UN01, NT3JLASP403NN22, NT3JLASP403UN01, PTEJXASP174TG01, STENYASP173TN01, STEWYAJP303NN22, STGNYASP113TN01, STGWYAJP303NN22 and STLWXASP543NN22
	510129W	Door Handle Wedge	All other models
9	510013DG	Dryer Door	Dark gray
	512969	Dryer Door	Stainless steel

Dryer Door (Drawing 2 of 3)

Models with Window Door



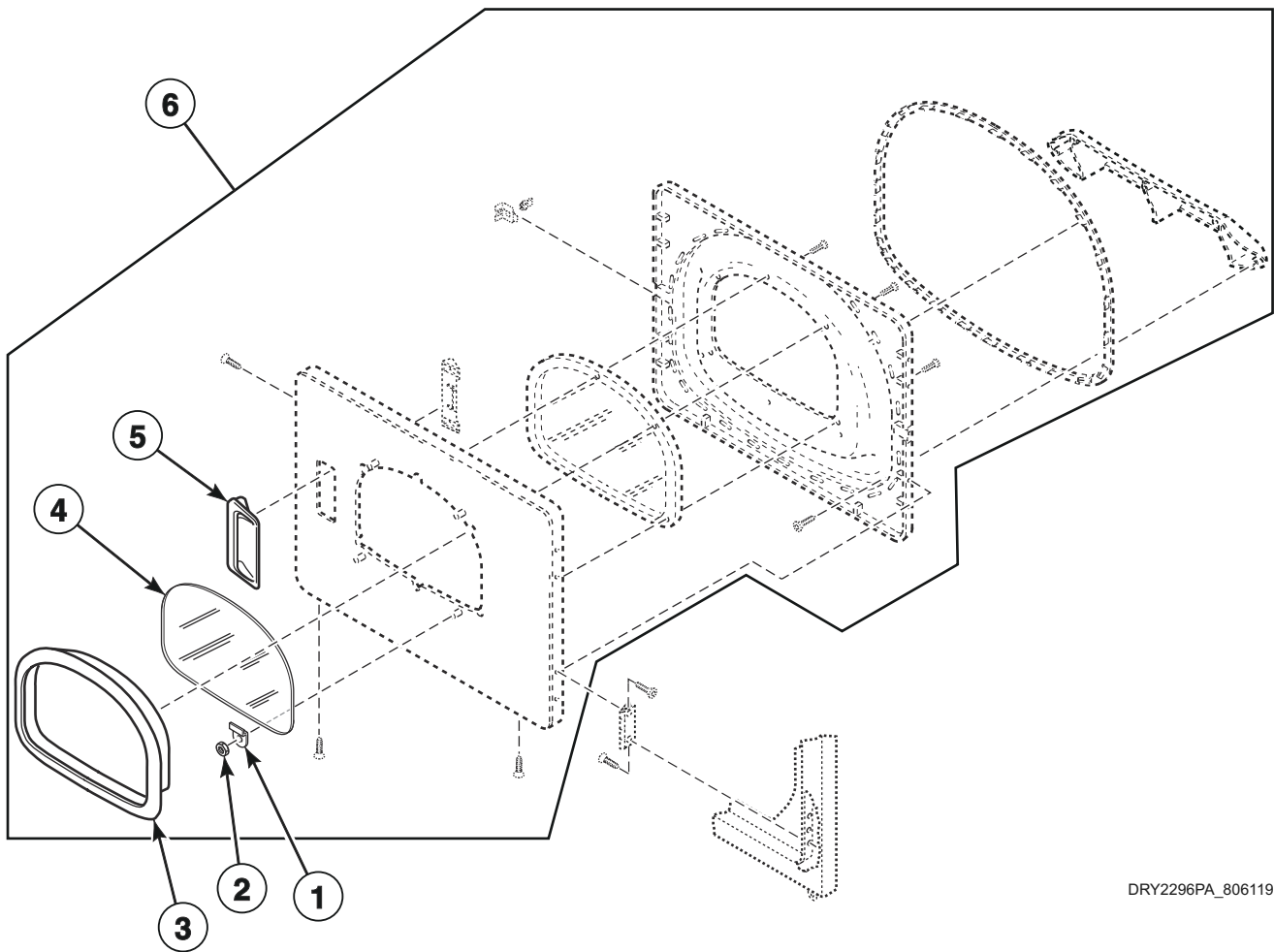
DRY2296P_806119

Dryer Door (Drawing 2 of 3)

REF	PART NO.	DESCRIPTION	COMMENTS
1	514114W	Dryer Door Assembly	Models HTENXASP283CW01, HTENXASP293CW01, HTENYASP283CW01, HTENYASP293CW01, STENCASP173TW01, STENCFSP173TW01, STENXASP173TW01, STENXFSP173TW01, STENYASP173TW01, STENYFSP173TW01, STEWYASP173TW01 and STGNCASP113TW01
	510082WP	Dryer Door	All other models
2	510129LG	Door Handle Wedge	Models HTENXASP283CW01, HTENXASP293CW01, HTENYASP283CW01, HTENYASP293CW01, STENCASP173TW01, STENCFSP173TW01, STENXASP173TW01, STENXFSP173TW01, STENYASP173TW01, STENYFSP173TW01 and STEWYASP173TW01
	510129W	Door Handle Wedge	All other models
3	503982P	Dryer Door Window	
4	510127	Door Strike Mount	
5	510181	Door Strike	
6	515597	Screw	Models HTENXASP283CW01, HTENXASP293CW01, HTENYASP283CW01, HTENYASP293CW01, STENCASP173TW01, STENCFSP173TW01, STENXASP173TW01, STENXFSP173TW01, STENYASP173TW01, STENYFSP173TW01 and STEWYASP173TW01
	500226	Screw	All other models
7	510147P	Liner Door Seal	
8	503870LG	Door Liner Grill	Models HTENXASP283CW01, HTENXASP293CW01, HTENYASP283CW01, HTENYASP293CW01, STENCASP173TW01, STENCFSP173TW01, STENXASP173TW01, STENXFSP173TW01, STENYASP173TW01, STENYFSP173TW01 and STEWYASP173TW01
	503870W	Door Liner Grill	All other models
9	510098LG	Liner and Seal Assembly	Includes item 7; Models HTENXASP283CW01, HTENXASP293CW01, HTENYASP283CW01, HTENYASP293CW01, STENCASP173TW01, STENCFSP173TW01, STENXASP173TW01, STENXFSP173TW01, STENYASP173TW01, STENYFSP173TW01 and STEWYASP173TW01
	510098W	Liner and Seal Assembly	Includes item 7; All other models
10	505870	Screw	
11	505295	Screw	
12	511036	Hinge	

Dryer Door (Drawing 3 of 3)

Models with Window Door

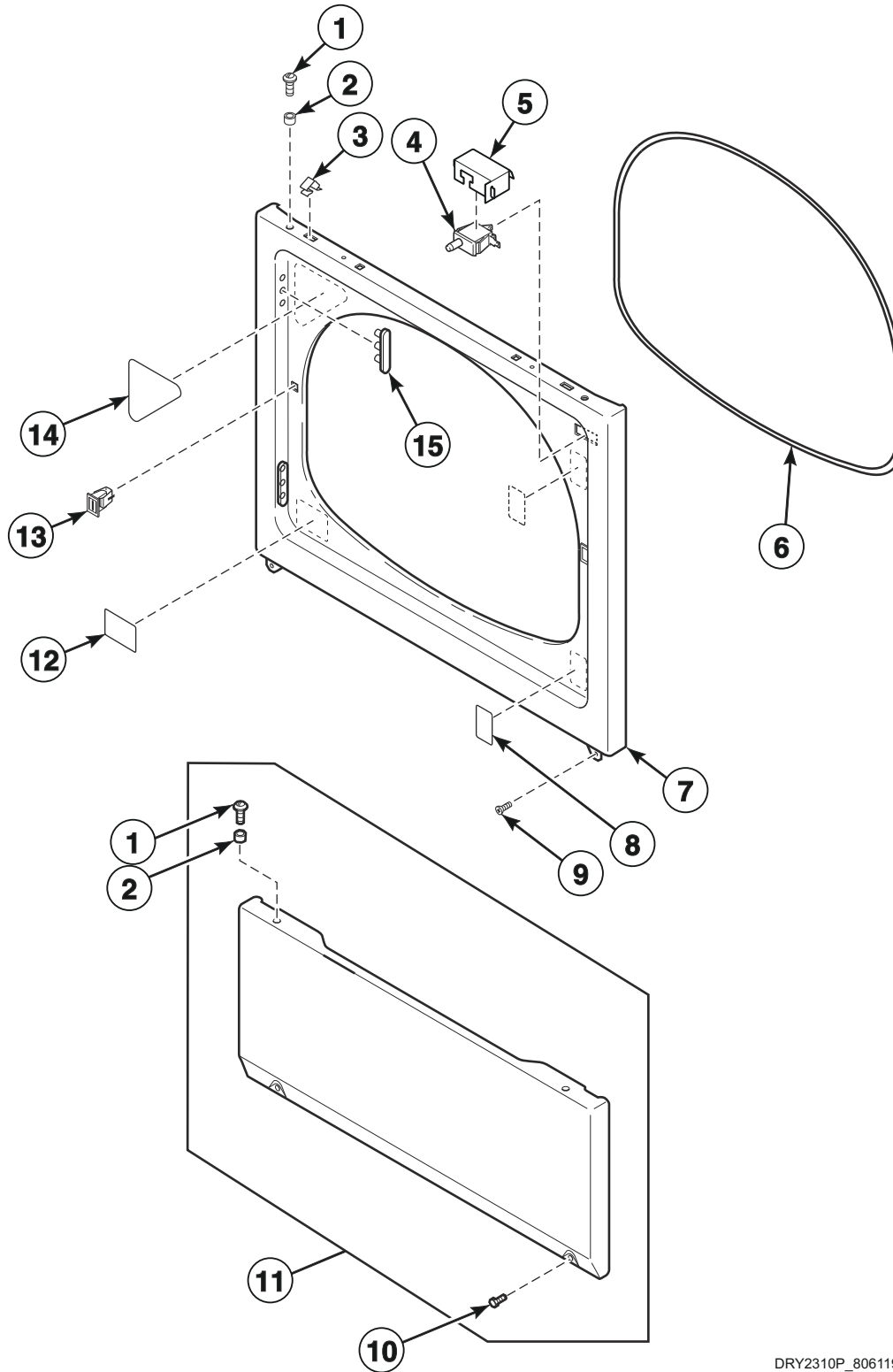


DRY2296PA_806119

Dryer Door (Drawing 3 of 3)

REF	PART NO.	DESCRIPTION	COMMENTS
1	513958	Window Clip	Models HTENXASP283CW01, HTENXASP293CW01, HTENYASP283CW01, HTENYASP293CW01, STENCASP173TW01, STENCFSP173TW01, STENXASP173TW01, STENXFSP173TW01, STENYASP173TW01, STENYFSP173TW01 and STEWYASP173TW01
2	44071201	Nut	Models HTENXASP283CW01, HTENXASP293CW01, HTENYASP283CW01, HTENYASP293CW01, STENCASP173TW01, STENCFSP173TW01, STENXASP173TW01, STENXFSP173TW01, STENYASP173TW01, STENYFSP173TW01 and STEWYASP173TW01
3	513960W	Window Trim	Models HTENXASP283CW01, HTENXASP293CW01, HTENYASP283CW01, HTENYASP293CW01, STENCASP173TW01, STENCFSP173TW01, STENXASP173TW01, STENXFSP173TW01, STENYASP173TW01, STENYFSP173TW01 and STEWYASP173TW01
	503981W	Window Trim	All other models
4	513910	Glass Door Window	Models HTENXASP283CW01, HTENXASP293CW01, HTENYASP283CW01, HTENYASP293CW01, STENCASP173TW01, STENCFSP173TW01, STENXASP173TW01, STENXFSP173TW01, STENYASP173TW01, STENYFSP173TW01 and STEWYASP173TW01
5	515950P	Door Pull and Wedge Kit	Includes item 2 on <i>Dryer Loading Door (Drawing 1 of 2)</i> ; Models HTENXASP283CW01, HTENXASP293CW01, HTENYASP283CW01, HTENYASP293CW01, STENCASP173TW01, STENCFSP173TW01, STENXASP173TW01, STENXFSP173TW01, STENYASP173TW01, STENYFSP173TW01 and STEWYASP173TW01
	510103WP	Door Pull and Wedge Kit	Includes item 2 on <i>Dryer Loading Door (Drawing 1 of 2)</i> ; All other models
6	511636WP	Door and Liner Assembly	White; Includes items 3, 5 and 1-10 on <i>Dryer Loading Door (Drawing 1 of 2)</i> ; Models HTENXASP283CW01, HTENXASP293CW01, HTENYASP283CW01, HTENYASP293CW01, STENCASP173TW01, STENCFSP173TW01, STENXASP173TW01, STENXFSP173TW01, STENYASP173TW01, STENYFSP173TW01 and STEWYASP173TW01

Access Panel, Front Panel and Seal

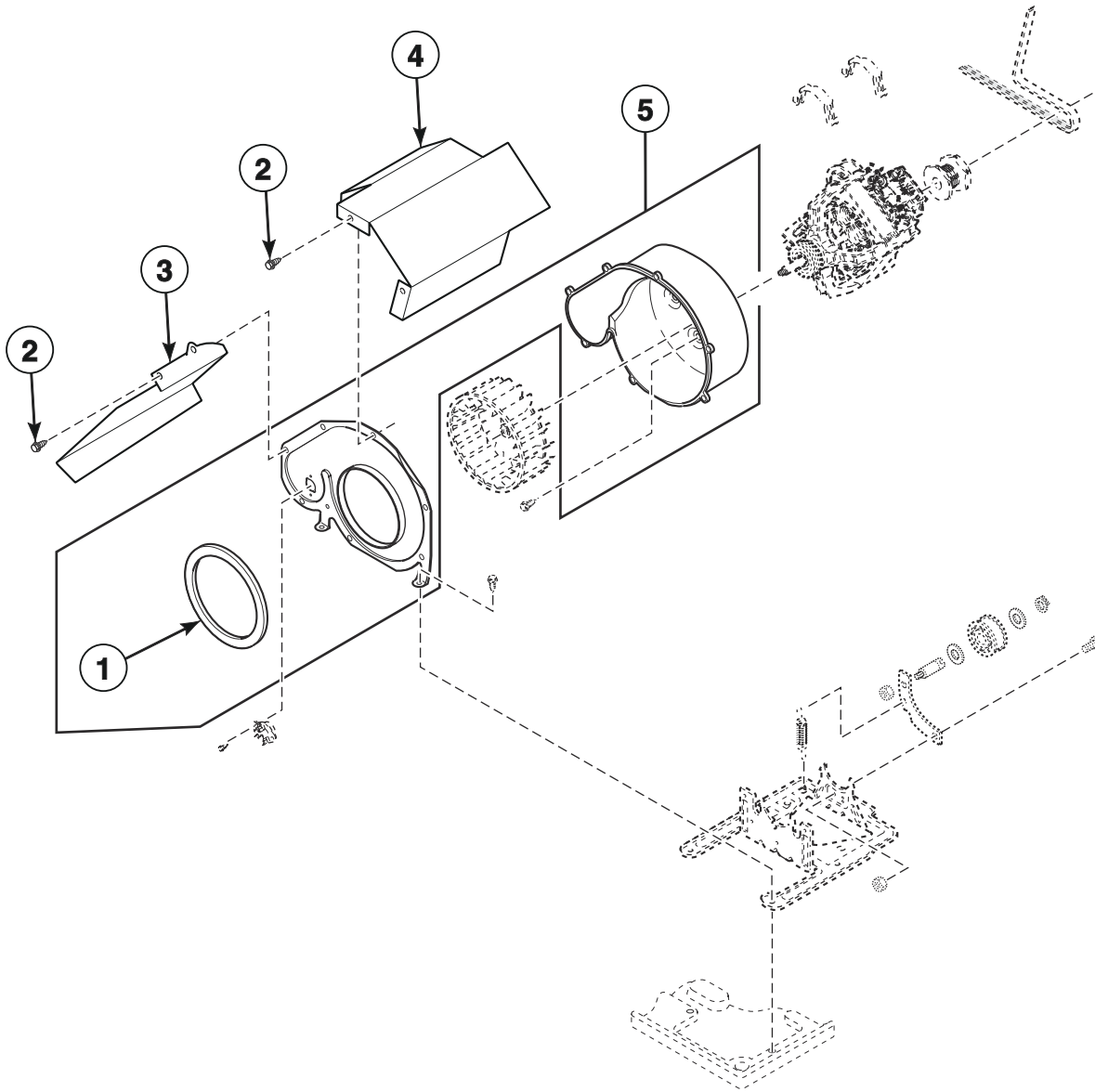


DRY2310P_806119

Access Panel, Front Panel and Seal

REF	PART NO.	DESCRIPTION	COMMENTS
1	39733	Screw	
2	56079	Panel Locator	
3	28835	Speed Clip	
4	512973	Switch	
5	514327	Drip Shield	All models except HTENXASP283CW01, HTENXASP293CW01, HTENYASP283CW01, HTENYASP293CW01, HTGNXASP093CW01, NT3JLASP403NN22, NT3JLASP403NW22, NT3JXASP403NW22, NTHJXASP543NW01, NTHJYASP543NW01, PTEJXASP174TG01, PTGJXASP114TG01, ST3JXASP403NW22, STENCASP173TW01, STENCFSP173TW01, STENXASP173TW01, STENXFSP173TW01, STENYASP173TN01, STENYASP173TW01, STENYFSP173TW01, STEWYAJP303NN22, STEWYAJP303NW22, STEWYASP173TW01, STGNCASP113TW01, STGNCFSP113TW01, STGNXASG113TW01, STGNXASP113TW01, STGNXFSP113TW01, STGNYASP113TN01, STGNYASP113TW01, STGNYFSP113TW01, STGWYAJP303NN22, STGWYASP113TW01, STLNXASP543NW23, STLNYASP543NW23, STLWXASP543NN22 and TT3JXASP403NW22
6	511056	Front Panel Seal	
7	510066DG	Front Panel	Dark gray
	512542	Front Panel	Stainless steel
	510066WP	Front Panel	White
8	512263	Warning Label	Models PTEJXASP434AG01, PTGJXASP304AG01, STENXASP433AW01, STENXASP433AW12, STGNXASP303AW01 and STGNXASP303AW12
9	503688	Screw	
10	33562	Screw	
11	514252W	Access Panel and Guard Assembly	White; Models HTENXASP283CW01, HTENXASP293CW01, HTENYASP283CW01, HTENYASP293CW01, STENCASP173TW01, STENCFSP173TW01, STENXASP173TW01, STENXFSP173TW01, STENYASP173TN01, STENYASP173TW01, STEWYASP173TW01 and STGWYASP113TW01
	514252DG	Access Panel and Guard Assembly	Dark gray; Model PTEJXASP174TG01
	514250DG	Access Panel Assembly	Dark gray; Models PTEJXASP434AG01, PTGJXASP114TG01 and PTGJXASP304AG01
	514251	Access Panel Assembly	Stainless steel; Models BT3JGAJP403UN01, BT3JGASP403UN01, BT3JLASP403UN01, BT3JXASP403UN01, JT1JMASG413EN06, JT2JMASG413EN06, NT2JLASP403UN01, NT2JXASP403UN01, NT3JLASP403NN22, NT3JLASP403UN01, NT3JXASP403UN01, STEWYAJP303NN22, STGNYASP113TN01, STGWYAJP303NN22 and STLWXASP543NN22
	514253	Access Panel and Guard Assembly	Stainless steel; Model STENYASP173TN01
	514250WP	Access Panel Assembly	White; All other models
12	502804	Clean Lint Label	Models PTEJXASP434AG01, PTGJXASP304AG01, STENXASP433AW01, STENXASP433AW12, STGNXASP303AW01 and STGNXASP303AW12
13	510177	Door Catch Assembly	
14	500281	Warning/Caution Label	
15	510186	Hinge Hole Plug	

Blower Housing and Shields

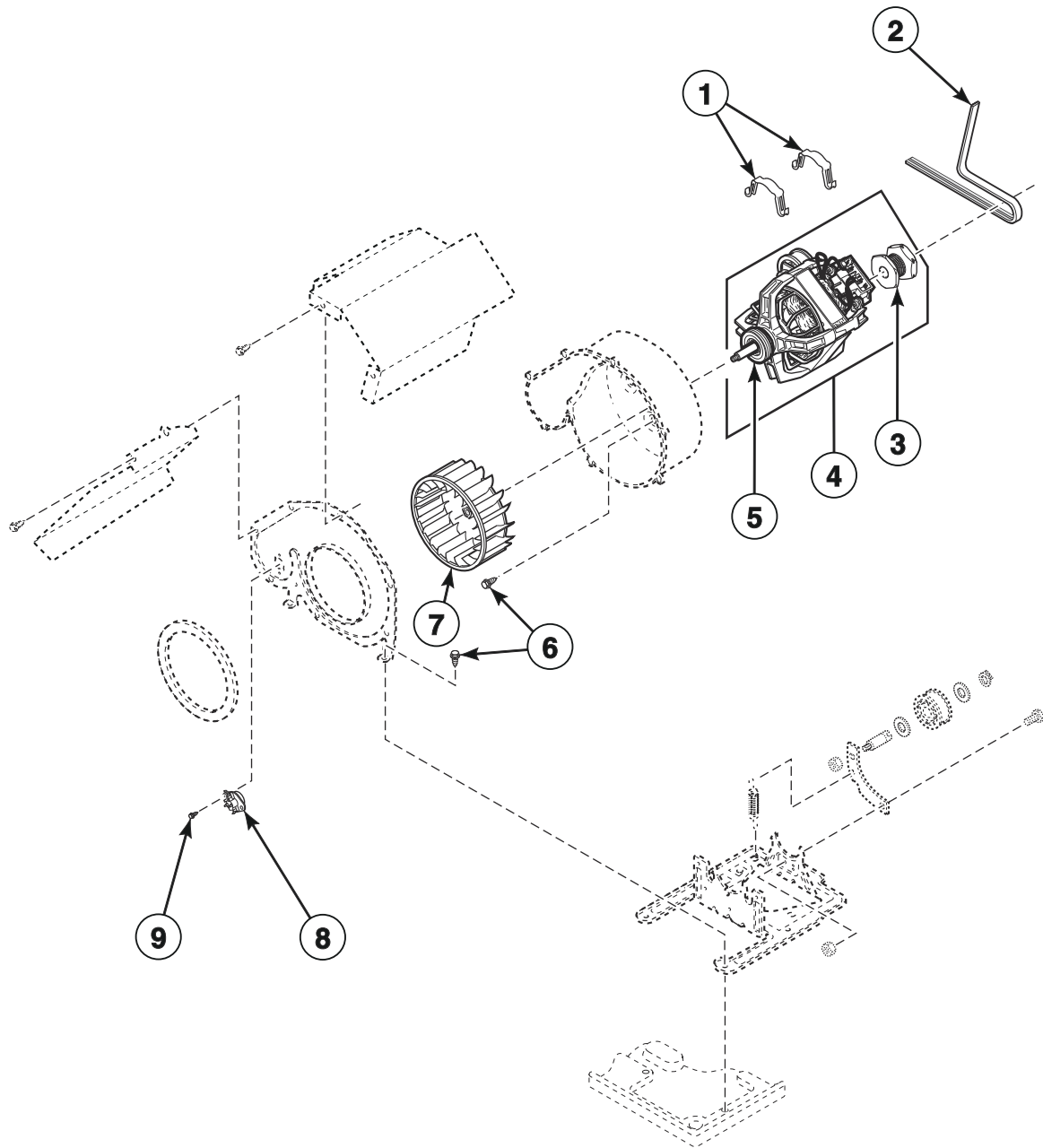


DRY2312P_806119

Blower Housing and Shields

REF	PART NO.	DESCRIPTION	COMMENTS
	27604P	Anti-Seize Compound	Apply to motor shaft when installing blower fan assembly
1	510238P	Blower Housing Seal	
2	31260	Screw	
3	514325	Thermostat Shield	All models except HTENXASP283CW01, HTENXASP293CW01, HTENYASP283CW01, HTENYASP293CW01, HTGNXASP093CW01, NT3JLASP403NN22, NT3JLASP403NW22, NT3JXASP403NW22, NTHJXASP543NW01, NTHJYASP543NW01, PTEJXASP174TG01, PTGJXASP114TG01, ST3JXASP403NW22, STENCASP173TW01, STENCFSP173TW01, STENXASP173TW01, STENXFSP173TW01, STENYASP173TN01, STENYASP173TW01, STENYFSP173TW01, STEWYAJP303NN22, STEWYAJP303NW22, STEWYASP173TW01, STGNCASP113TW01, STGNCFSP113TW01, STGNXASG113TW01, STGNXASP113TW01, STGNXFSP113TW01, STGNYASP113TN01, STGNYASP113TW01, STGNYFSP113TW01, STGWYAJP303NN22, STGWYASP113TW01, STLNXASP543NW23, STLNYASP543NW23, STLWXASP543NN22 and TT3JXASP403NW22
4	514602	Motor Shield	All models except HTENXASP283CW01, HTENXASP293CW01, HTENYASP283CW01, HTENYASP293CW01, HTGNXASP093CW01, NT3JLASP403NN22, NT3JLASP403NW22, NT3JXASP403NW22, NTHJXASP543NW01, NTHJYASP543NW01, PTEJXASP174TG01, PTGJXASP114TG01, ST3JXASP403NW22, STENCASP173TW01, STENCFSP173TW01, STENXASP173TW01, STENXFSP173TW01, STENYASP173TN01, STENYASP173TW01, STENYFSP173TW01, STEWYAJP303NN22, STEWYAJP303NW22, STEWYASP173TW01, STGNCASP113TW01, STGNCFSP113TW01, STGNXASG113TW01, STGNXASP113TW01, STGNXFSP113TW01, STGNYASP113TN01, STGNYASP113TW01, STGNYFSP113TW01, STGWYAJP303NN22, STGWYASP113TW01, STLNXASP543NW23, STLNYASP543NW23, STLWXASP543NN22 and TT3JXASP403NW22
5	511969LG	Blower Housing	Includes items 1 and 2; Models HTENXASP283CW01, HTENXASP293CW01, HTENYASP283CW01, HTENYASP293CW01, PTEJXASP174TG01, STENCASP173TW01, STENCFSP173TW01, STENXASP173TW01, STENXFSP173TW01, STENYASP173TN01, STENYASP173TW01, STENYFSP173TW01 and STEWYASP173TW01
	511969WP	Blower Housing	Includes items 1 and 2; All other models

Motor, Exhaust Fan and Belt

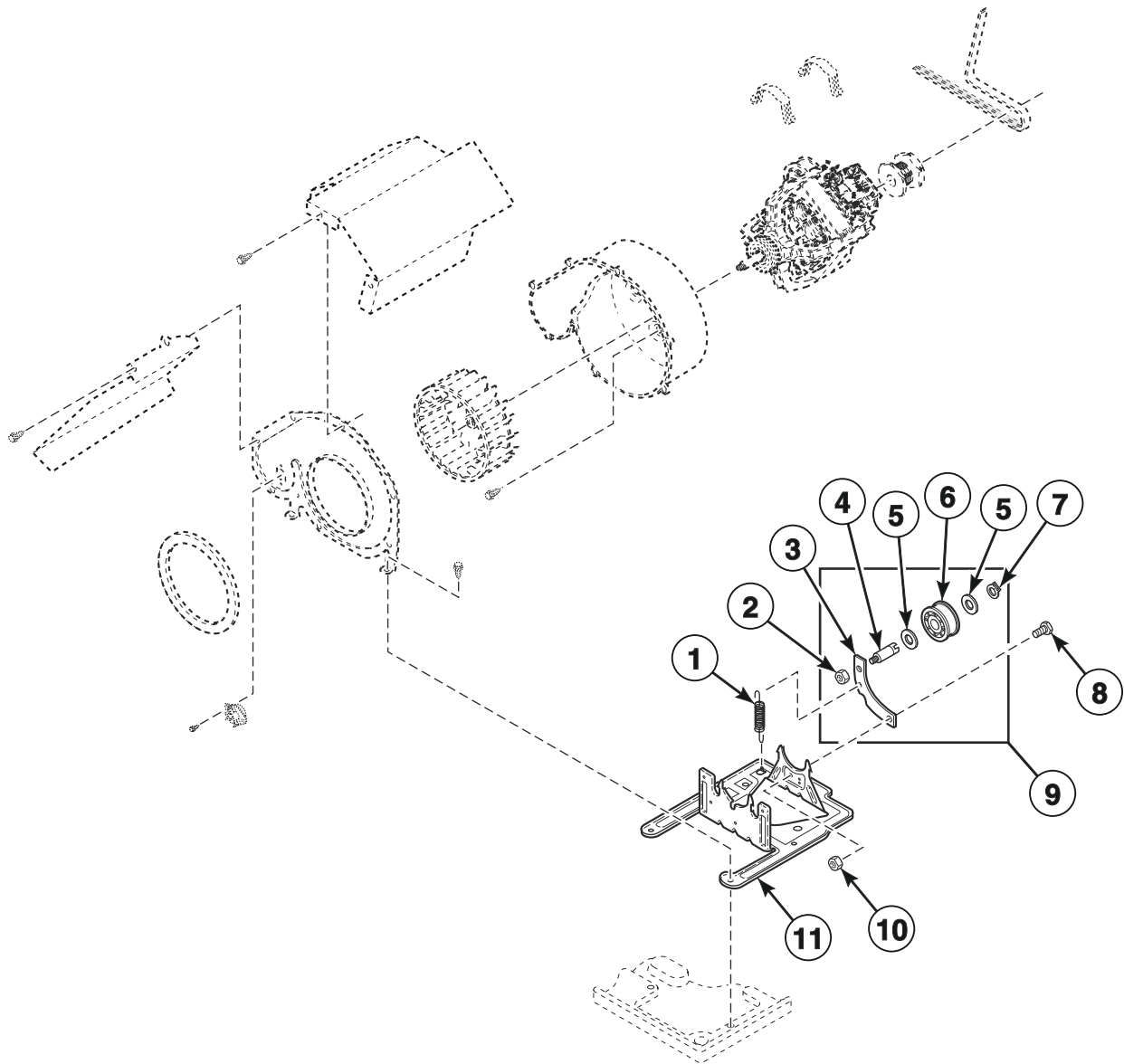


DRY2312PB_806119

Motor, Exhaust Fan and Belt

REF	PART NO.	DESCRIPTION	COMMENTS
	27604P	Anti-Seize Compound	Apply to motor shaft when installing blower fan assembly
1	510180	Motor Mount Clamp	
2	511255P	Cylinder Belt	
3	500011	Motor Pulley	60 Hertz
	500222	Motor Pulley	50 Hertz
4	511629P	Motor and Pulley Assembly	120 Volt/60 Hertz; Includes items 1, 3 and 5; Apply anti-seize compound to motor shaft when installing blower fan assembly; Models HTENXASP133DW01, HTENXASP133FW01, HTENXASP283CW01, HTENXASP293CW01, HTENYASP283CW01, HTENYASP293CW01, HTGNXASP093CW01, HTGNXASP113FW01, HTGNXASP123DW01, PTEJXASP174TG01, PTGJXASP114TG01, STENCASP173TW01, STENCFSP173TW01, STENXASP133DW01, STENXASP133FW01, STENXASP173TW01, STENXFSP173TW01, STENYASP173TN01, STENYASP173TW01, STENYFSP173TW01, STEWYASP173TW01, STGNCASP113TW01, STGNCFSP113TW01, STGNXASG113JW01, STGNXASG113TW01, STGNXASP113FW01, STGNXASP113TW01, STGNXASP123DW01, STGNXFSP113TW01, STGNYASP113TN01, STGNYASP113TW01, STGNYFSP113TW01 and STGWYASP113TW01
	505869P	Motor and Pulley Assembly	240 Volt/60 Hertz; Includes items 1, 3 and 5; Models HTENXASP543DW01, HTGNXASP543DW01, NTHJXASP543NW01, NTHJYASP543NW01, PTEJXASG543ZG01, PTEJXASP543ZG01, PTGJXASG543ZG01, PTGJXASP543ZG01, STENXASP543DW01, STGNXASP543DW01, STLNXASP543NW23, STLNYASP543NW23, STLNYASP543PW01 and STLWXASP543NN22
	505843P	Motor and Pulley Assembly	240 Volt/50 Hertz; Includes items 1, 3 and 5; All other models
5	590P3	Motor Hub Ring Kit	
6	503688	Screw	
7	510139P	Blower Fan Assembly	
8	510523	Thermistor Assembly	60 Hertz; Models HTENXASP133DW01, HTENXASP133FW01, HTENXASP283CW01, HTENXASP293CW01, HTENXASP543DW01, HTENYASP283CW01, HTENYASP293CW01, HTGNXASP093CW01, HTGNXASP113FW01, HTGNXASP123DW01, HTGNXASP543DW01, NTHJXASP543NW01, NTHJYASP543NW01, PTEJXASG543ZG01, PTEJXASP174TG01, PTEJXASP543ZG01, PTGJXASG543ZG01, PTGJXASP114TG01, PTGJXASP543ZG01, STENCASP173TW01, STENCFSP173TW01, STENXASP133DW01, STENXASP133FW01, STENXASP173TW01, STENXASP543DW01, STENXFSP173TW01, STENYASP173TN01, STENYASP173TW01, STENYFSP173TW01, STEWYASP173TW01, STGNCASP113TW01, STGNCFSP113TW01, STGNXASG113JW01, STGNXASG113TW01, STGNXASP113FW01, STGNXASP113TW01, STGNXASP123DW01, STGNXASP543DW01, STGNXFSP113TW01, STGNYASP113TN01, STGNYASP113TW01, STGNYFSP113TW01, STGWYASP113TW01, STLNXASP543NW23, STLNYASP543NW23, STLNYASP543PW01 and STLWXASP543NN22
	502366	Thermistor Assembly	50 Hertz; All other models
9	502535	Screw	

Idler Assembly

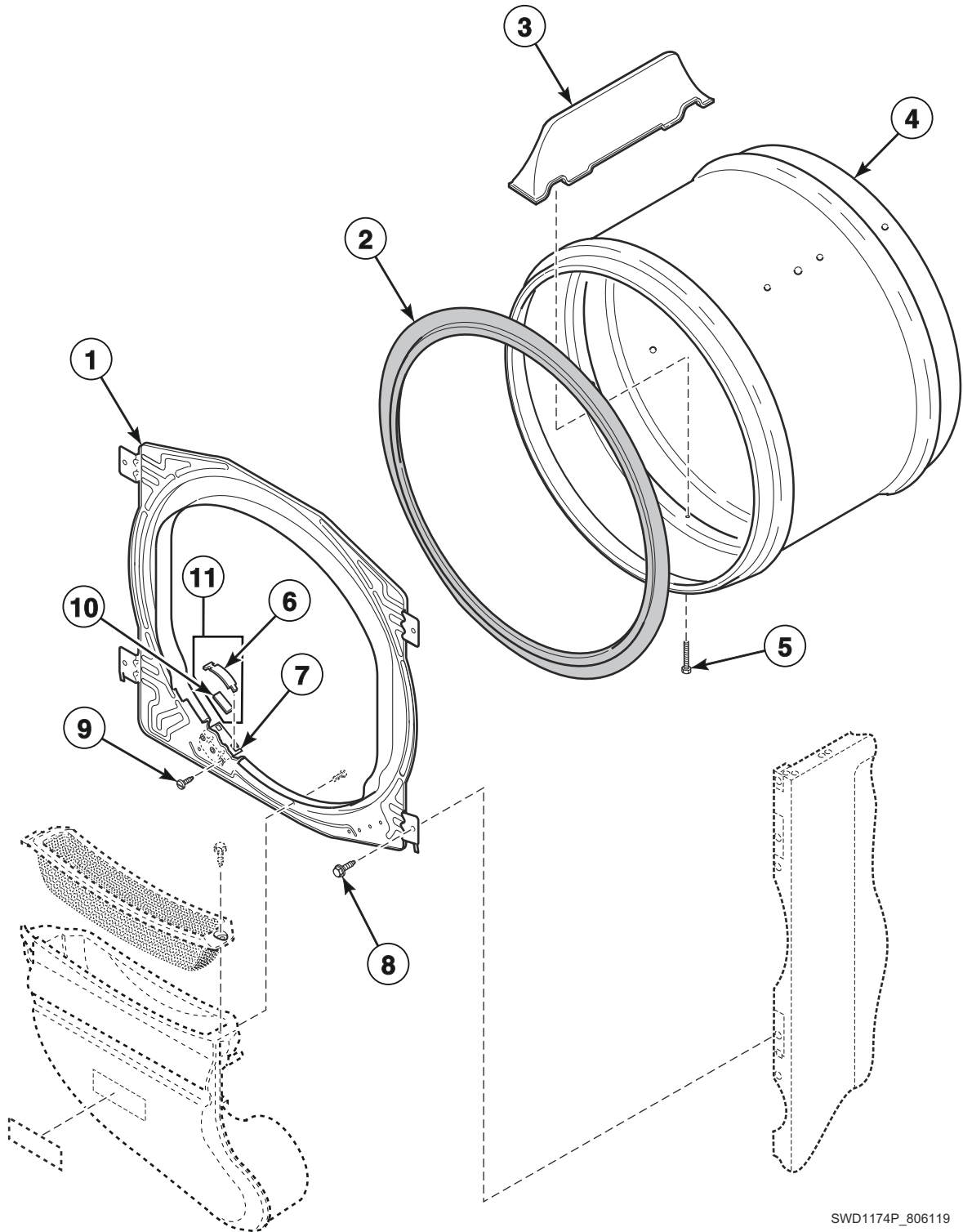


DRY2312PA_806119

Idler Assembly

REF	PART NO.	DESCRIPTION	COMMENTS
1	510185	Idler Spring	
2	56156	Nut	
3	510133	Idler Lever	
4	56461P	Shaft	
5	52549	Washer	
6	510142P	Idler Wheel and Bearing Assembly	
7	23748	Retaining Ring	
8	500824	Screw	
9	510158	Idler Lever and Wheel Assembly	Includes items 2-8
10	52566	Nut	
11	510060	Motor Mount	

Front Bulkhead, Felt Seal and Cylinder

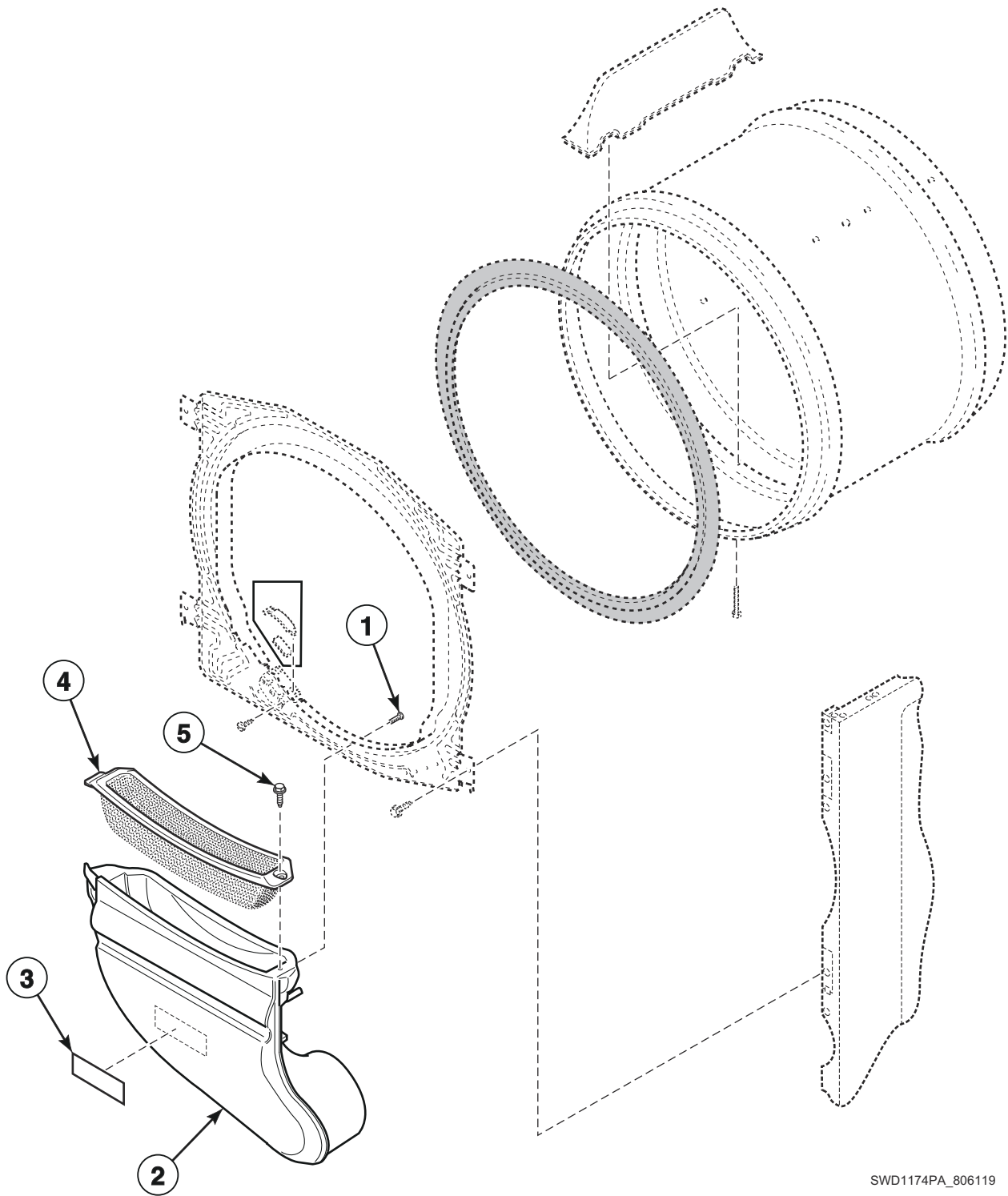


SWD1174P_806119

Front Bulkhead, Felt Seal and Cylinder

REF	PART NO.	DESCRIPTION	COMMENTS
1	510266P	Front Bulkhead Assembly	Unpainted; Includes item 2
2	510207P	Cylinder Seal Assembly	
	511637P	Adhesive	For cylinder seal
	RB170001	Seal Kit	Includes 2 cylinder seals, 510238P Blower Housing Seal and 511637P Adhesive
3	510102LG	Cylinder Baffle	Models BT3JGAJP403UN01, BT3JGASP403UN01, BT3JLASP403UN01, BT3JXASP403UN01, JT1JMASG413EN06, JT2JMASG413EN06, NT2JLASP403UN01, NT2JXASP403UN01, NT3JLASP403NN22, NT3JLASP403UN01, NT3JXASP403UN01, STENYASP173TN01, STEWYAJP303NN22, STGWYAJP303NN22 and STLWXASP543NN22
	510102W	Cylinder Baffle	All other models
4	505929LGP	Cylinder Assembly	Models BT3JGAJP403UN01, BT3JGASP403UN01, BT3JLASP403UN01, BT3JXASP403UN01, JT1JMASG413EN06, JT2JMASG413EN06, NT2JLASP403UN01, NT2JXASP403UN01, NT3JLASP403NN22, NT3JLASP403UN01, NT3JXASP403UN01, STENYASP173TN01, STEWYAJP303NN22, STGWYAJP303NN22 and STLWXASP543NN22; Stainless steel; Includes item 3
	510265LGP	Cylinder Assembly	Models BT3JGAJP403UN01, BT3JGASP403UN01, BT3JLASP403UN01, BT3JXASP403UN01, JT1JMASG413EN06, JT2JMASG413EN06, NT2JLASP403UN01, NT2JXASP403UN01, NT3JLASP403NN22, NT3JLASP403UN01, NT3JXASP403UN01, STENYASP173TN01, STEWYAJP303NN22, STGWYAJP303NN22 and STLWXASP543NN22; Galvanized; Includes item 3
	510265WP	Cylinder Assembly	All other models; Galvanized; Includes item 3
5	62588	Screw	
6	513710	Cylinder Glide	
7	510145	Cylinder Glide Bracket	
8	503688	Screw	
9	505295	Screw	
10	510189	Felt Pad	
11	RB170003	Glide Kit	Includes items 6 and 7

Air Duct Assembly

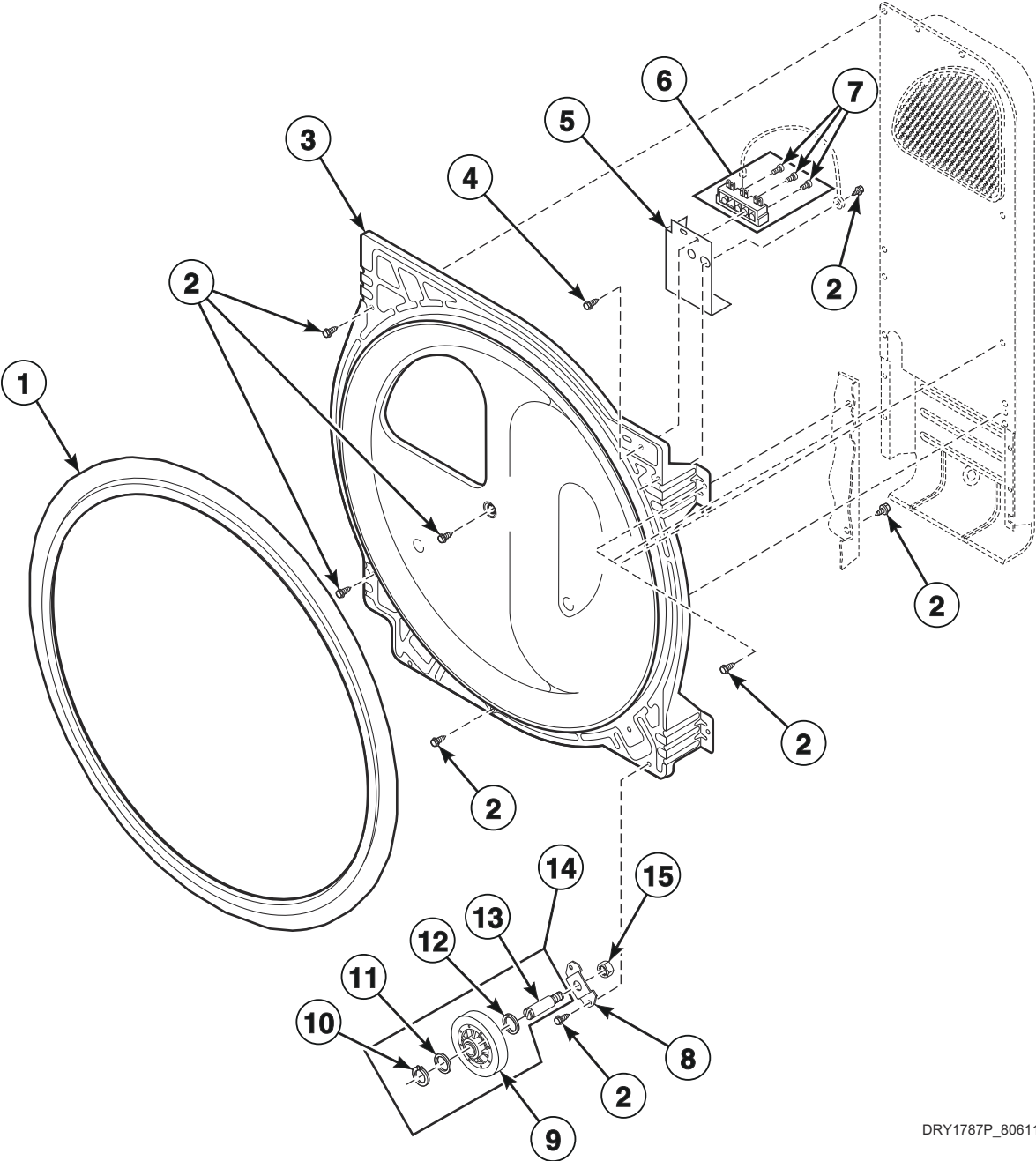


SWD1174PA_806119

Air Duct Assembly

REF	PART NO.	DESCRIPTION	COMMENTS
1	52864	Screw	
2	510151LG	Air Duct Assembly	Models BT3JGAJP403UN01, BT3JGASP403UN01, BT3JLASP403UN01, BT3JXASP403UN01, HTENXASP283CW01, HTENXASP293CW01, HTENYASP283CW01, HTENYASP293CW01, JT1JMASG413EN06, JT2JMASG413EN06, NT2JLASP403UN01, NT2JXASP403UN01, NT3JLASP403NN22, NT3JLASP403UN01, NT3JXASP403UN01, PTEJXASP174TG01, STENCASP173TW01, STENCFSP173TW01, STENXASP173TW01, STENXFSP173TW01, STENYASP173TN01, STENYASP173TW01, STENYFSP173TW01, STEWYAJP303NN22, STEWYASP173TW01, STGWYAJP303NN22 and STLWXASP543NN22
	510151W	Air Duct Assembly	All other models
3	61294	Fuse Notice Label	Electric
4	503980LG	Lint Filter	Models BT3JGAJP403UN01, BT3JGASP403UN01, BT3JLASP403UN01, BT3JXASP403UN01, HTENXASP283CW01, HTENXASP293CW01, HTENYASP283CW01, HTENYASP293CW01, JT1JMASG413EN06, JT2JMASG413EN06, NT2JLASP403UN01, NT2JXASP403UN01, NT3JLASP403NN22, NT3JLASP403UN01, NT3JXASP403UN01, PTEJXASP174TG01, STENCASP173TW01, STENCFSP173TW01, STENXASP173TW01, STENXFSP173TW01, STENYASP173TN01, STENYASP173TW01, STENYFSP173TW01, STEWYAJP303NN22, STEWYASP173TW01, STGWYAJP303NN22 and STLWXASP543NN22
	503980W	Lint Filter	All other models
5	501285	Screw	

Rear Bulkhead, Felt Seal, Cylinder Roller and Terminal Block



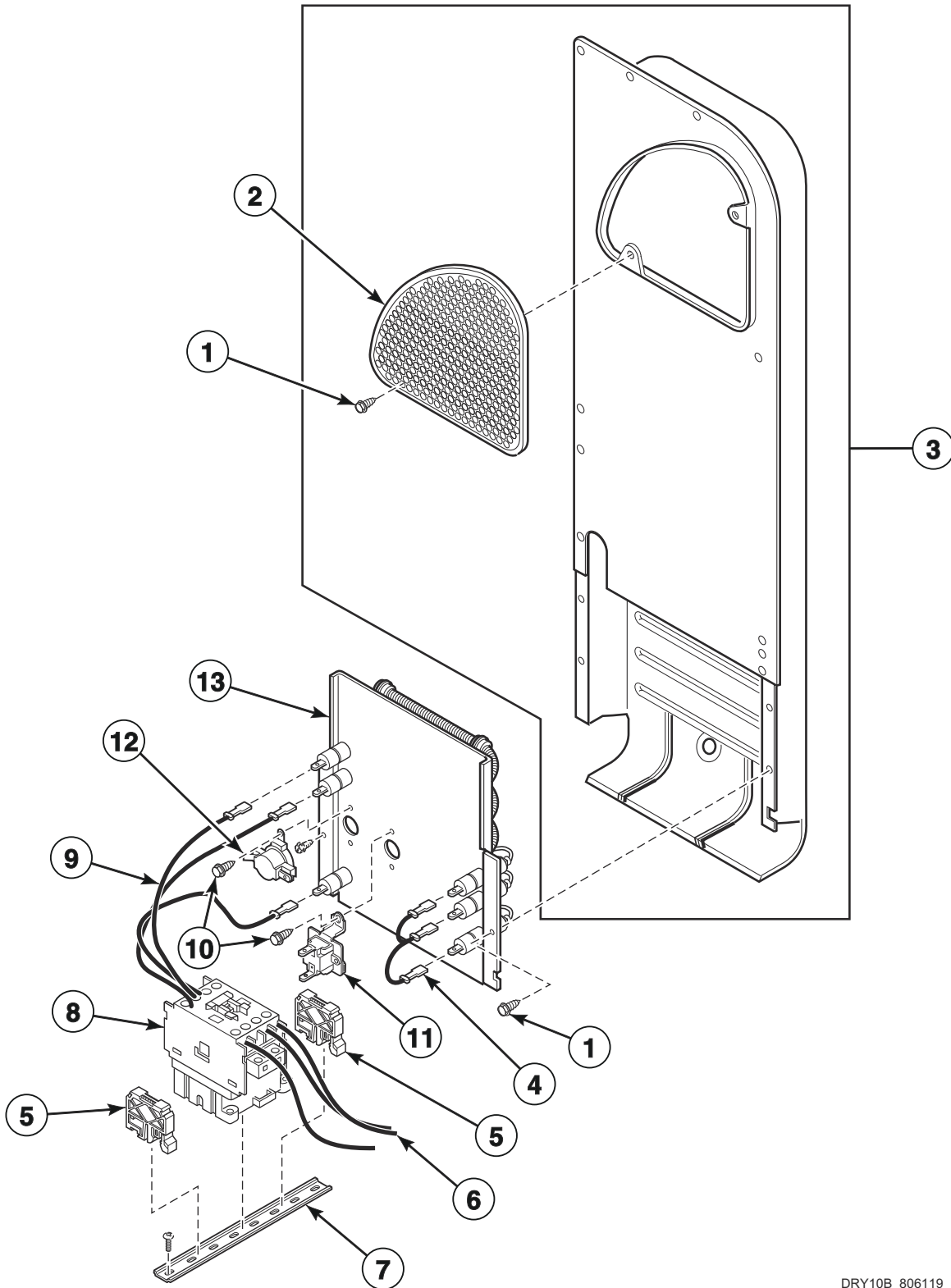
DRY1787P_806119

Rear Bulkhead, Felt Seal, Cylinder Roller and Terminal Block

REF	PART NO.	DESCRIPTION	COMMENTS
1	510207P	Cylinder Seal Assembly	
	511637P	Adhesive	Apply to cylinder seal
	RB170001	Seal Kit	Includes 2 cylinder seals, 510238P Blower Housing Seal and 511637P Adhesive
2	503688	Screw	
3	511082P	Rear Bulkhead Assembly	Includes item 1
	510905WP	Rear Bulkhead Assembly	White; Includes item 1; If black marks appear on clothes, replace rear bulkhead with this part, cylinder with 510159WP Cylinder Assembly and front bulkhead with 505899WP Bulkhead Assembly
4	501285	Screw	Electric
5	510237	Terminal Block Shield	Models HTENXASP283CW01, HTENXASP293CW01, PTEJXASP174TG01, STENCASP173TW01, STENCFSP173TW01, STENXASP173TW01, STENXFSP173TW01, STENYASP173TN01, STENYASP173TW01, STENYFSP173TW01 and STEWYASP173TW01
	514330	Terminal Block Shield	Models HTENXASP133DW01, HTENXASP133FW01, HTENXASP543DW01, JT1JEASP413EW06, JT1JGASP413EW06, JT1JMASG413EN06, JT1JXASP413EW06, JTEJEASP303EW06, JTEJXASP303EW06, NT1JLASP413UW06, NT1JXASP403UW06, NT3JLASP403NN22, NT3JLASP403NW22, NT3JXASP403NW22, PTEJXASG303UG06, PTEJXASP303UG06, PTEJXASP434AG01, PTEJXASP543ZG01, ST1JXASP403EW06, ST3JXASP403NW22, STENXASP133DW01, STENXASP133FW01, STENXASP433AW01, STENXASP433AW12 and TT3JXASP403NW22
6	510190P	Terminal Block Assembly	Includes 3 of item 7; Electric
7	61199	Screw	
8	510100	Cylinder Roller Bracket	
9	510708P	Cylinder Roller	
10	23748	Retaining Ring	
11	52549	Washer	
12	504082	Washer	
13	56461P	Shaft	
14	RB170002	Roller Kit	Includes 2 each of items 9-13
15	56156	Nut	

Heater Duct and Element Assembly (Drawing 1 of 2)

3 Phase Models



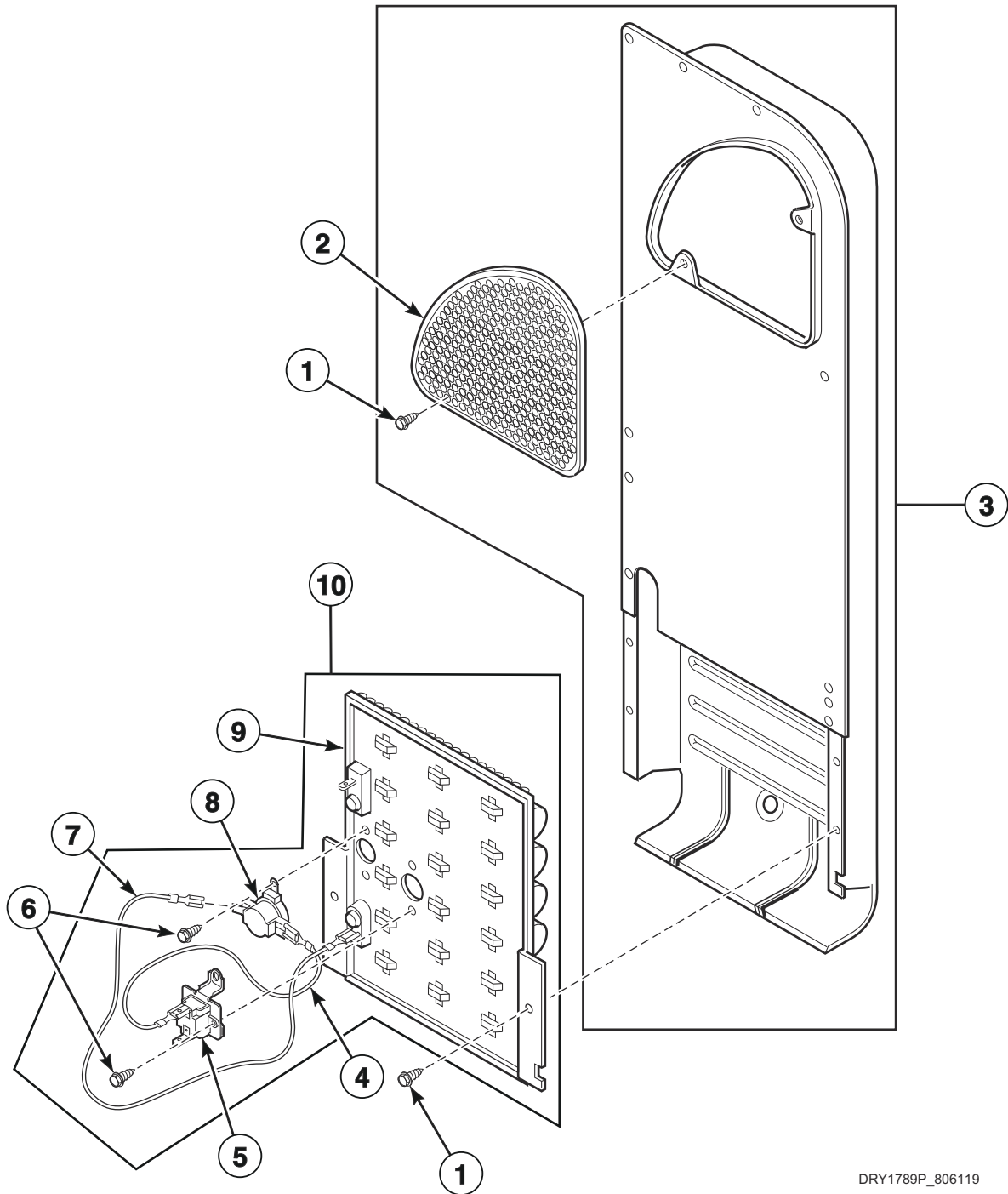
DRY10B_806119

Heater Duct and Element Assembly (Drawing 1 of 2)

REF	PART NO.	DESCRIPTION	COMMENTS
	756P3	Conversion Kit	400 Volt, 4 wire WYE to 240 Volt, 3 wire Delta
1	503688	Screw	
2	500820	Outlet Cover	
3	510025P	Heater Duct and Screw Assembly	Includes items 1 and 2
4	511270	Jumper Wire Assembly	3 Phase
5	70121001	End Stop	
6	511112P	Block to Relay Harness	Terminal block to contactor
7	M412693	Din Rail	
8	F330177P	Contactor	
9	511114P	Relay to Heater Harness	Contactor to heater
10	23222	Screw	
11	511412	Thermal Fuse Assembly	
12	510701	Limit Thermostat	
13	511014P	Heater	400 Volt/3 Phase

Heater Duct and Element Assembly (Drawing 2 of 2)

Single Phase Electric Models



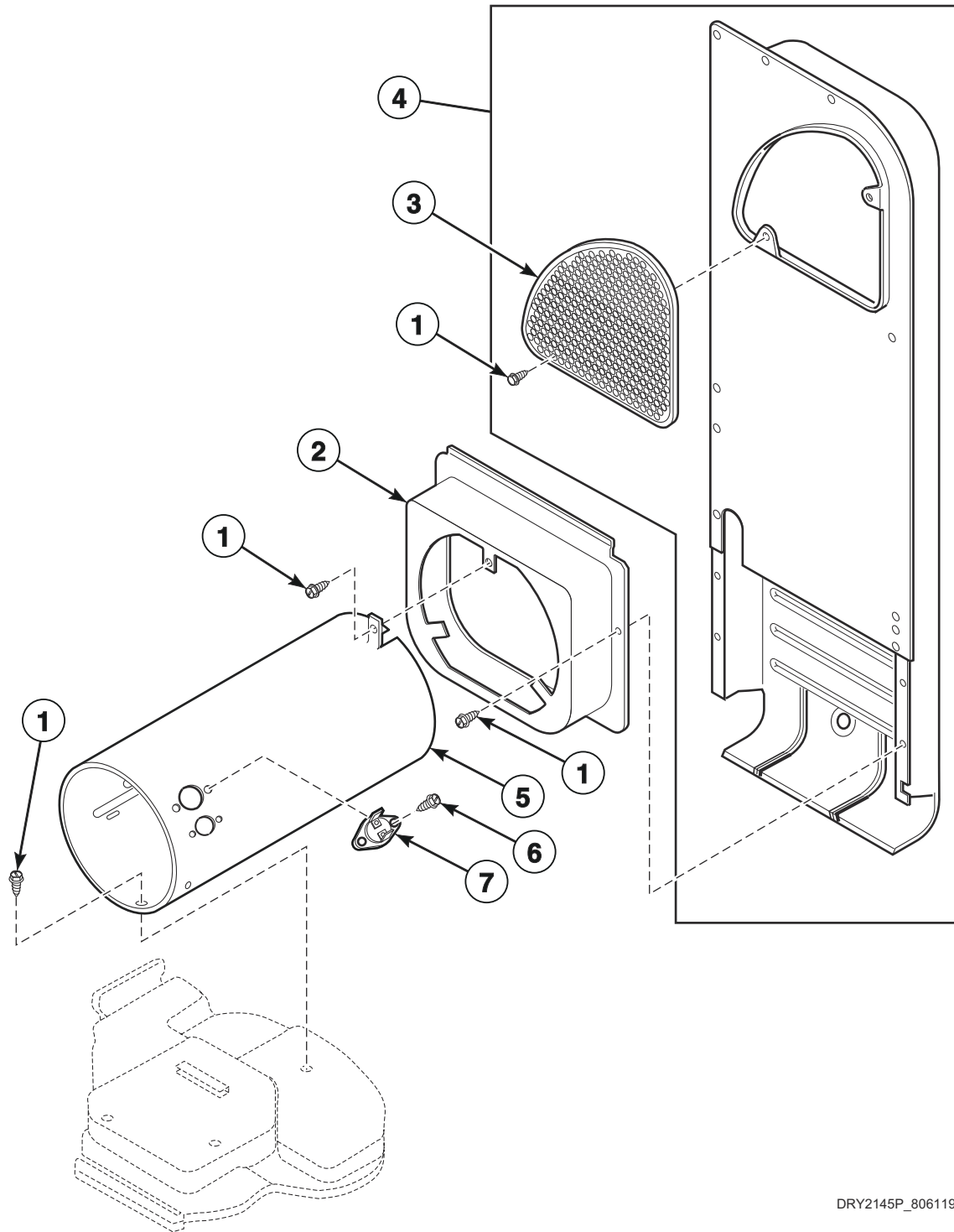
DRY1789P_806119

Heater Duct and Element Assembly (Drawing 2 of 2)

REF	PART NO.	DESCRIPTION	COMMENTS
1	503688	Screw	
2	500820	Outlet Cover	
3	510025P	Heater Duct and Screw Assembly	Includes item 2
4	510528	Wire Assembly	Orange; Thermostat jumper
5	511412	Thermal Fuse Assembly	
6	23222	Screw	
7	510527	Wire Assembly	Black; Fuse jumper
8	510701	Limit Thermostat	
9	510326P	Heater Assembly	4800 Watt; 240 Volt/50 Hertz; Models JT1JEASP413EW06, JT1JGASP413EW06, JT1JMASG413EN06, JT1JXASP413EW06, JTEJEASP303EW06, JTEJXASP303EW06, NT1JLASP413UW06, NT1JXASP403UW06, PTEJXASG303UG06, PTEJXASP303UG06, ST1JXASP403EW06, STEWYAJP303NN22 and STEWYAJP303NW22
	510324P	Heater Assembly	5000 Watt; 240 Volt/60 Hertz; Models HTENXASP283CW01 and HTENYASP283CW01
	510330P	Heater Assembly	4250 Watt; 208 Volt/60 Hertz; Models HTENXASP293CW01 and HTENYASP293CW01
	510327P	Heater Assembly	4000 Watt; 240 Volt/50 Hertz; Models PTEJXASP434AG01, STENXASP433AW01 and STENXASP433AW12
	510329P	Heater Assembly	5350 Watt; 240 Volt/60 Hertz; All other models
10	965P3	Heater Kit	Includes items 4-9; 4250 Watt; 208 Volt/60 Hertz; Models HTENXASP293CW01 and HTENYASP293CW01
	61929	Heater Kit Assembly	Includes items 4-9; 4800 Watt; 240 Volt/50 Hertz; Models JT1JEASP413EW06, JT1JGASP413EW06, JT1JMASG413EN06, JT1JXASP413EW06, JTEJEASP303EW06, JTEJXASP303EW06, NT1JLASP413UW06, NT1JXASP403UW06, PTEJXASG303UG06, PTEJXASP303UG06, ST1JXASP403EW06, STEWYAJP303NN22 and STEWYAJP303NW22
	61927	Heater Kit Assembly	Includes items 4-9; 5000 Watt; 240 Volt/60 Hertz; Models HTENXASP283CW01 and HTENYASP283CW01
	61930	Heater Kit Assembly	Includes items 4-9; 4000 Watt; 240 Volt/50 Hertz; Models PTEJXASP434AG01, STENXASP433AW01 and STENXASP433AW12
	61928	Heater Kit Assembly	Includes items 4-9; 4750 Watt; 208 Volt/60 Hertz; All other models
	964P3	Heater Kit	Includes items 4-9; 5350 Watt; 240 Volt/60 Hertz; All other models

Heater Duct Assembly

Gas Models



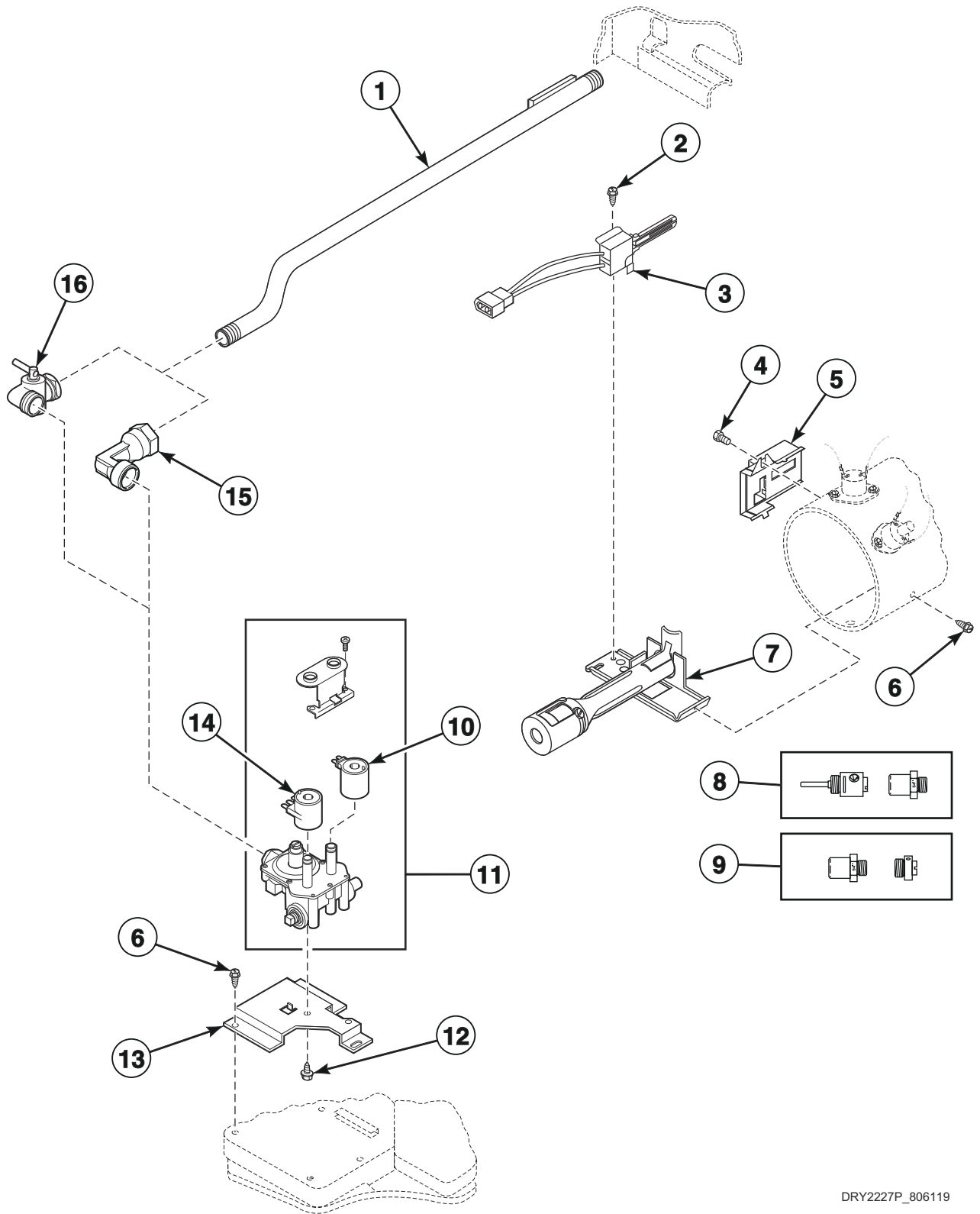
DRY2145P_806119

Heater Duct Assembly

REF	PART NO.	DESCRIPTION	COMMENTS
1	503688	Screw	
2	510101	Heat Duct Shroud	
3	500820	Outlet Cover	
4	510025P	Heater Duct and Screw Assembly	Includes items 1 and 3
5	510131	Combustion Duct	
6	51782	Screw	
7	510702	Limit Thermostat	Black; Auto reset

Gas Valve, Igniter and Gas Conversion Kits

Gas Model Dryers



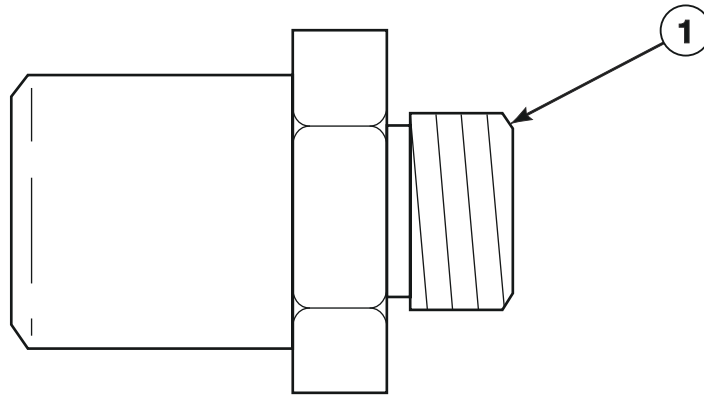
DRY2227P_806119

Gas Valve, Igniter and Gas Conversion Kits

REF	PART NO.	DESCRIPTION	COMMENTS
1	510204	Lead-In Pipe Assembly	
2	51782	Screw	
3	510184P	Igniter and Bracket Assembly	
4	23222	Screw	
5	510213	Sensor	
6	503688	Screw	
7	510149P	Burner Assembly	
8	458P3	L.P. Conversion Kit	60 Hertz; Used to convert dryers from N.G. or Mixed Gas to L.P.; 25,000 Btu; Models HTGNXASP093CW01, HTGNXASP113FW01, HTGNXASP123DW01, HTGNXASP543DW01, PTGJXASG543ZG01, PTGJXASP114TG01, PTGJXASP543ZG01, STGNCASP113TW01, STGNCFSP113TW01, STGNXASG113JW01, STGNXASG113TW01, STGNXASP113FW01, STGNXASP113TW01, STGNXASP123DW01, STGNXASP543DW01, STGNXFSP113TW01, STGNYASP113TN01, STGNYASP113TW01, STGNYFSP113TW01, STGWYASP113TW01, STLNXASP543NW23, STLNYASP543NW23, STLNYASP543PW01 and STLWXASP543NN22
	600P3	L.P. Conversion Kit	50 Hertz; Used to convert dryer from Natural Gas (N.G.) or Mixed Gas to Liquid Petroleum Gas (L.P.); 25,000 Btu; All other models
9	459P3	N.G. Conversion Kit	Used to convert dryers from L.P. to N.G. or Mixed Gas; 25,000 Btu
10	58804B	Secondary Coil	
11	60353P	Gas Valve Assembly	60 Hertz; 25,000 Btu; Models HTGNXASP093CW01, HTGNXASP113FW01, HTGNXASP123DW01, HTGNXASP543DW01, PTGJXASG543ZG01, PTGJXASP114TG01, PTGJXASP543ZG01, STGNCASP113TW01, STGNCFSP113TW01, STGNXASG113JW01, STGNXASG113TW01, STGNXASP113FW01, STGNXASP113TW01, STGNXASP123DW01, STGNXASP543DW01, STGNXFSP113TW01, STGNYASP113TN01, STGNYASP113TW01, STGNYFSP113TW01, STGWYASP113TW01, STLNXASP543NW23, STLNYASP543NW23, STLNYASP543PW01 and STLWXASP543NN22
	60443P	Valve Assembly	50 Hertz; 25,000 Btu; All other models
12	56124	Screw	
13	510128	Gas Valve Mounting Bracket	
14	58804A	Booster and Holding Coil	
15	513072	Elbow	Models STLNXASP543NW23, STLNYASP543NW23, STLNYASP543PW01 and STLWXASP543NN22
16	510205	Elbow Shut-Off Valve	All models except STLNXASP543NW23, STLNYASP543NW23, STLNYASP543PW01 and STLWXASP543NN22

Burner Orifice Spuds - For Higher Elevations

Gas Models

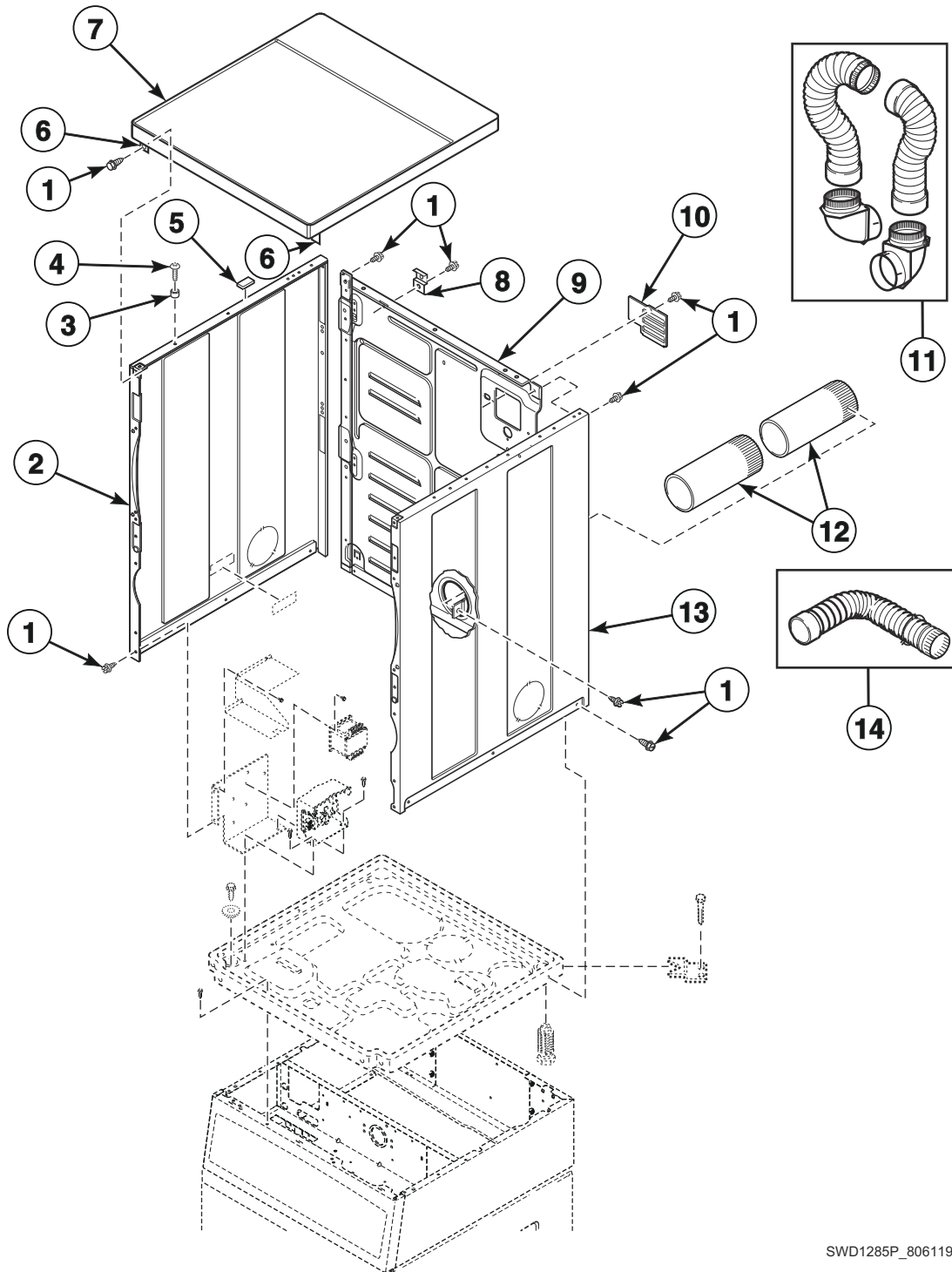


DRY2266P_806119

Burner Orifice Spuds - For Higher Elevations

REF	PART NO.	DESCRIPTION	COMMENTS
1	58755	L.P. Orifice	25,000 Btu; 7500-10,999 feet (2290-3354 m)
	503786	L.P. Orifice	25,000 Btu; 11,000 feet (3355 m) and higher
	58719	Screw Orifice	Natural Gas (N.G.); 25,000 Btu; 7000-8999 feet (2135-2744 m)
	503776	N.G. Orifice	25,000 Btu; 2000-2999 feet (610-914 m)
	510517	N.G. Orifice	25,000 Btu; 3000-5499 feet (915-1679 m)
	503778	N.G. Orifice	25,000 Btu; 5500-6999 feet (1680-2134 m)
	503779	N.G. Orifice	25,000 Btu; 9000-10,499 feet (2745-3199 m)
	503780	N.G. Orifice	25,000 Btu; 10,500 feet (3200 m) and higher

Dryer Cabinet and Exhaust Duct

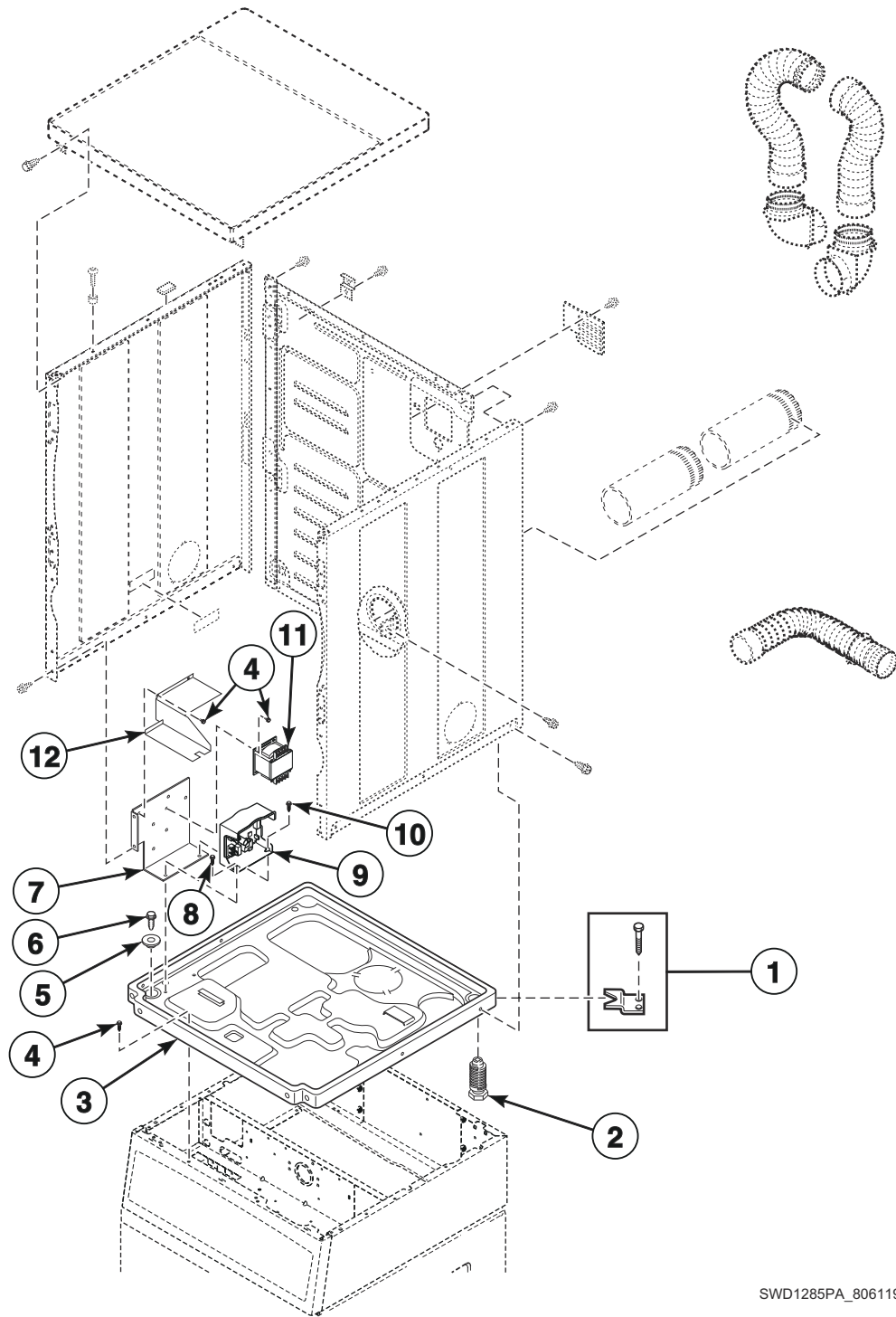


SWD1285P_806119

Dryer Cabinet and Exhaust Duct

REF	PART NO.	DESCRIPTION	COMMENTS
	122P4P	Porcelain Touch-Up Paint	White
	806436P	Paint	Dark gray
1	503688	Screw	
2	510001WP	Cabinet Side Panel	Left; White
	510001DGP	Cabinet Side Panel	Left; Dark gray
3	56079	Panel Locator	
4	39733	Screw	
5	56128	Bumper Pad	
6	510146	Bracket	
7	510032WP	Top Kit	White
	510032DG	Top Panel	Dark gray
8	510136	Top Hinge	
9	510005P	Cabinet Rear Panel	
10	510903	Access Panel Plate	
11	521P3	Flexible Venting Kit	
12	510137	Exhaust Duct	Each dryer requires 2 pieces
13	510002WP	Cabinet Side Panel	Right; White
	510002DGP	Cabinet Side Panel	Right; Dark gray
14	528P3	Directional Exhaust Kit	Used to vent dryer out the sides

Dryer Base



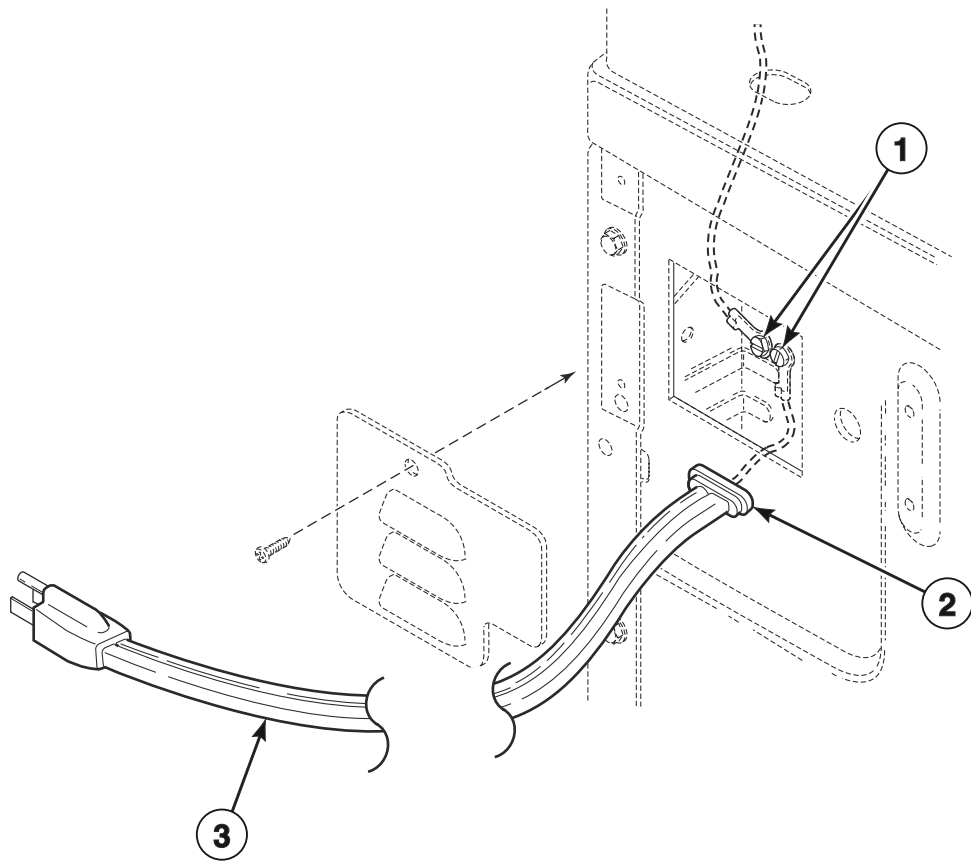
SWD1285PA_806119

Dryer Base

REF	PART NO.	DESCRIPTION	COMMENTS
1	526P3	Hold Down Kit	For mobile home installations
2	510135	Leveling Leg	
3	514245	Dryer Base	
4	503688	Screw	
5	26509	Washer	
6	36048	Screw	
7	514351	Bracket Assembly	Models JT2JEASP413EW06, JT2JGASP413EW06, JT2JMASG413EN06, JT2JXASP413EW06, JTGJEASP303EW06, JTGJXASP303EW06, NT2JLASP403UN01, NT2JLASP403UW01, NT2JLASP403UW06, NT2JXASP403UN01, NT2JXASP403UW06, PT2JGAJG403UG06, PT2JGAJP403UG06, PT2JGASG403UG06, PT2JGASP403UG06, PT2JXASG403UG06, PT2JXASP403UG06, PTGJXASG303UG06, PTGJXASG543ZG01, PTGJXASP303UG06, PTGJXASP304AG01, PTGJXASP543ZG01, ST2JXASP403EW06, STGNXASP303AW01, STGNXASP303AW12, STGNXASP543DW01, STGWYAJP303NN22, STLNXASP543NW23, STLNYASP543NW23, STLNYASP543PW01 and STLWXASP543NN22
8	514428	Screw	
9	513797P	Output Control Assembly	
	514420	Output Board Shield	All models except HTENXASP283CW01, HTENXASP293CW01, HTENYASP283CW01, HTENYASP293CW01, HTGNXASP093CW01, NT3JLASP403NN22, NT3JLASP403NW22, NT3JXASP403NW22, NTHJXASP543NW01, NTHJYASP543NW01, PTEJXASP174TG01, PTGJXASP114TG01, ST3JXASP403NW22, STENCASP173TW01, STENCFSP173TW01, STENXASP173TW01, STENXFSP173TW01, STENYASP173TN01, STENYASP173TW01, STENYFSP173TW01, STEWYAJP303NN22, STEWYAJP303NW22, STEWYASP173TW01, STGNCASP113TW01, STGNCFSP113TW01, STGNXASG113TW01, STGNXASP113TW01, STGNXFSP113TW01, STGNYASP113TN01, STGNYASP113TW01, STGNYFSP113TW01, STGWYAJP303NN22, STGWYASP113TW01, STLNXASP543NW23, STLNYASP543NW23, STLWXASP543NN22 and TT3JXASP403NW22
10	804667	Screw	
11	513763	Transformer	Models JT2JEASP413EW06, JT2JGASP413EW06, JT2JMASG413EN06, JT2JXASP413EW06, JTGJEASP303EW06, JTGJXASP303EW06, NT2JLASP403UN01, NT2JLASP403UW01, NT2JLASP403UW06, NT2JXASP403UN01, NT2JXASP403UW06, PT2JGAJG403UG06, PT2JGAJP403UG06, PT2JGASG403UG06, PT2JGASP403UG06, PT2JXASG403UG06, PT2JXASP403UG06, PTGJXASG303UG06, PTGJXASG543ZG01, PTGJXASP303UG06, PTGJXASP304AG01, PTGJXASP543ZG01, ST2JXASP403EW06, STGNXASP303AW01, STGNXASP303AW12, STGNXASP543DW01, STGWYAJP303NN22, STLNXASP543NW23, STLNYASP543NW23, STLNYASP543PW01 and STLWXASP543NN22
12	514334	Transformer Shield	Models JT2JEASP413EW06, JT2JGASP413EW06, JT2JMASG413EN06, JT2JXASP413EW06, JTGJEASP303EW06, JTGJXASP303EW06, NT2JLASP403UN01, NT2JLASP403UW01, NT2JLASP403UW06, NT2JXASP403UN01, NT2JXASP403UW06, PT2JGAJG403UG06, PT2JGAJP403UG06, PT2JGASG403UG06, PT2JGASP403UG06, PT2JXASG403UG06, PT2JXASP403UG06, PTGJXASG303UG06, PTGJXASG543ZG01, PTGJXASP303UG06, PTGJXASP304AG01, PTGJXASP543ZG01, ST2JXASP403EW06, STGNXASP303AW01, STGNXASP303AW12, STGNXASP543DW01, STGWYAJP303NN22, STLNXASP543NW23, STLNYASP543NW23, STLNYASP543PW01 and STLWXASP543NN22

Dryer Lead-In Cord

Models HTGNXASP093CW01, PTGJXASP114TG01, STGNCASP113TW01, STGNCFSP113TW01, STGNXASG113TW01, STGNXASP113TW01, STGNXFSP113TW01, STGNYASP113TN01, STGNYASP113TW01, STGNYFSP113TW01, STGWYASP113TW01, STLNXASP543NW23, STLNYASP543NW23, STLNYASP543PW01 and STLWXASP543NN22



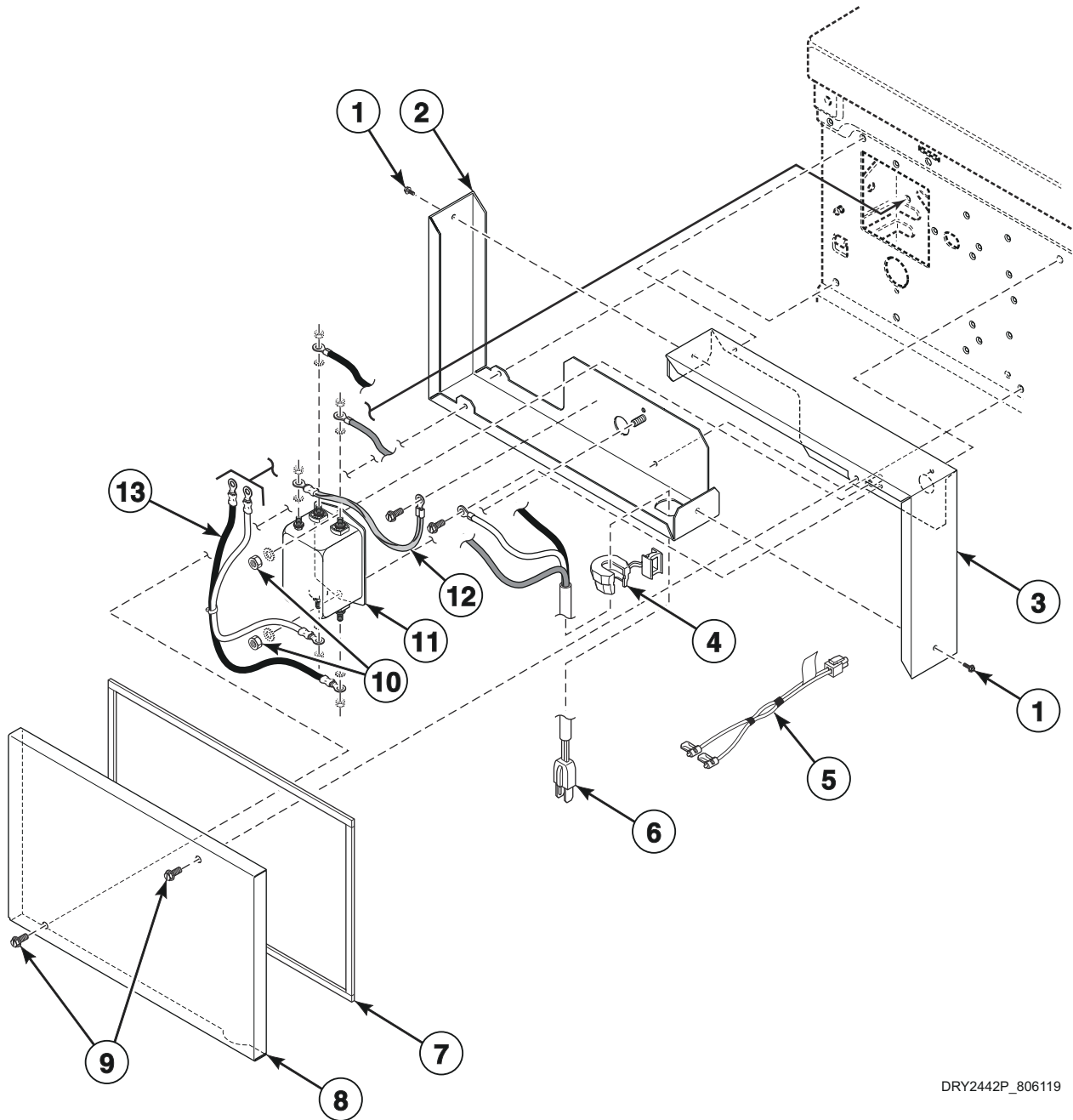
DRY1790P_806119

Dryer Lead-In Cord

REF	PART NO.	DESCRIPTION	COMMENTS
1	20530	Screw	
2	F140312	Connector	Model HTGNXASP093CW01
	38384	Strain Relief	All other models
3	203315	Lead-In Cord	Model STLNYASP543PW01
	203344	Lead-In Cord	Models STLNXASP543NW23, STLNYASP543NW23 and STLWXASP543NN22
	58992	Power Cord Assembly	Model HTGNXASP093CW01
	202777	Lead-In Cord	Models PTGJXASP114TG01, STGNCASP113TW01, STGNCFSP113TW01, STGNXASG113TW01, STGNXASP113TW01, STGNXFSP113TW01, STGNYASP113TN01, STGNYASP113TW01, STGNYFSP113TW01 and STGWYASP113TW01

Junction Box

All Models Except HTENXASP283CW01, HTENXASP293CW01, HTENYASP283CW01, HTENYASP293CW01, HTGNXASP093CW01, NT3JLASP403NN22, NT3JLASP403NW22, NT3JXASP403NW22, NTHJXASP543NW01, NTHJYASP543NW01, PTEJXASP174TG01, PTGJXASP114TG01, ST3JXASP403NW22, STENCASP173TW01, STENCFSP173TW01, STENXASP173TW01, STENXFSP173TW01, STENYASP173TN01, STENYASP173TW01, STENYFSP173TW01, STEWYAJP303NN22, STEWYAJP303NW22, STEWYASP173TW01, STGNCASP113TW01, STGNCFSP113TW01, STGNXASP113TW01, STGNXFSP113TW01, STGNXASP113TN01, STGNXASP113TW01, STGNXFSP113TW01, STGNYASP113TN01, STGNYASP113TW01, STGNYFSP113TW01, STGWYAJP303NN22, STGWYASP113TW01, STLNXASP543NW23, STLNYASP543NW23, STLWXASP543NN22 and TT3JXASP403NW22

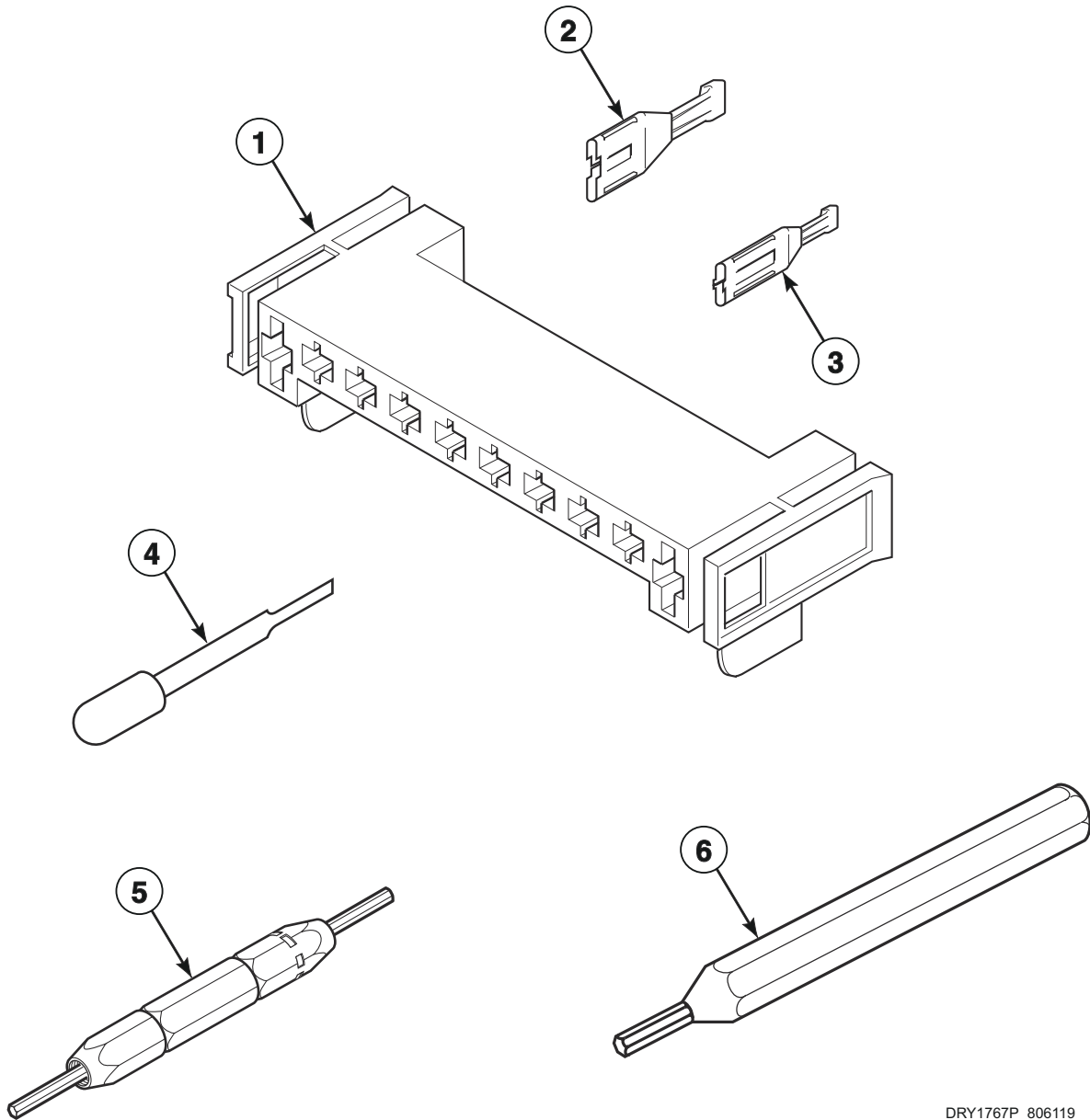


DRY2442P_806119

Junction Box

REF	PART NO.	DESCRIPTION	COMMENTS
1	503688	Screw	4 required
2	514399	Junction Box Assembly	3 Phase models
	514402	Junction Box Assembly	1 Phase Electric models
	514403	Lower Junction Box Assembly	1 Phase Gas models
3	514398	Junction Box Assembly	3 Phase models
	514400	Junction Box Assembly	1 Phase Electric models
	514401	Upper Junction Box Assembly	1 Phase Gas models
4	60298	Strain Relief	
5	804396	Filter Harness	Filter to main harness; Models JT2JEASP413EW06, JT2JGASP413EW06, JT2JMASG413EN06, JT2JXASP413EW06, JTGJEASP303EW06, JTGJXASP303EW06, NT2JLASP403UN01, NT2JLASP403UW01, NT2JLASP403UW06, NT2JXASP403UN01, NT2JXASP403UW06, PT2JGAJG403UG06, PT2JGAJP403UG06, PT2JGASG403UG06, PT2JGASP403UG06, PT2JXASG403UG06, PT2JXASP403UG06, PTGJXASG303UG06, PTGJXASG543ZG01, PTGJXASP303UG06, PTGJXASP543ZG01, ST2JXASP403EW06, STGNXASG113JW01 and STLNYASP543PW01
6	514952	Lead-In Cord	Model STGNXASG113JW01
	203208	Lead-In Cord	Models JT2JEASP413EW06, JT2JGASP413EW06, JT2JXASP413EW06, JTGJEASP303EW06, JTGJXASP303EW06, NT2JLASP403UN01, NT2JLASP403UW01, NT2JLASP403UW06, NT2JXASP403UN01, NT2JXASP403UW06, PT2JGAJG403UG06, PT2JGAJP403UG06, PT2JGASG403UG06, PT2JGASP403UG06, PT2JXASG403UG06, PT2JXASP403UG06, PTEJXASP303UG06, PTGJXASG303UG06, PTGJXASG543ZG01, PTGJXASP303UG06, PTGJXASP543ZG01 and ST2JXASP403EW06
	202926	Lead-In Cord	Models PTGJXASP304AG01, STGNXASP303AW01 and STGNXASP303AW12
	506106	Lead-In Cord Assembly	Models BT3JGAJP403UW01, BT3JGAJG403UW01, BT3JGAJP403UN01, BT3JGASG403UW01, BT3JGASP403UN01, BT3JGASP403UW01, BT3JLASG403UW01, BT3JLASP403UN01, BT3JLASP403UW01, BT3JXASG403UW01, BT3JXASP403UN01, BT3JXASP403UW01, NT3JLASP403UN01, NT3JLASP403UW01, NT3JXASP403UW01, PT3JGAJG403UG06, PT3JGAJP403UG06, PT3JGASG403UG06, PT3JGASP403UG06, PT3JXASG403UG06 and PT3JXASP403UG06
	503597	Lead-In Cord Assembly	Models HTENXASP133DW01, HTENXASP133FW01, HTENXASP543DW01, JT1JEASP413EW06, JT1JGASP413EW06, JT1JMASG413EN06, JT1JXASP413EW06, JTEJEASP303EW06, JTEJXASP303EW06, NT1JLASP413UW06, NT1JXASP403UW06, PTEJXASG303UG06, PTEJXASG543ZG01, PTEJXASP303UG06, PTEJXASP543ZG01, ST1JXASP403EW06, STENXASP133DW01, STENXASP133FW01 and STENXASP543DW01
	61605P	Lead-In Cord Kit	Models PTEJXASP434AG01, STENXASP433AW01 and STENXASP433AW12
	514061	Lead-In Cord	Models HTGNXASP123DW01, HTGNXASP543DW01, STGNXASP123DW01 and STGNXASP543DW01
	514953	Lead-In Cord	Models HTGNXASP113FW01 and STGNXASP113FW01
7	514379P	Junction Box Seal	4 required
8	514363	Junction Box Cover	
9	503661	Screw	2 required
10	51236	Nut	3 Phase models; 4 required
	29787	Nut	1 Phase models; 2 required
11	804844	Line Filter	1 Phase Electric models; 30 Amp
	804864	Line Filter	1 Phase Gas models; 10 Amp
	514384P	Filter	3 Phase models
12	514038	Ground Filter Harness	30 Amp; Electric models
	514039	Ground Filter Harness	10 Amp; Gas models
13	514037	Filter Harness	10 Amp; 1 Phase Gas models
	514036	Filter Harness	30 Amp; 1 Phase Electric models
	514040	Filter Harness	3 Phase models

Dryer Terminals and Terminal Extractor Tools

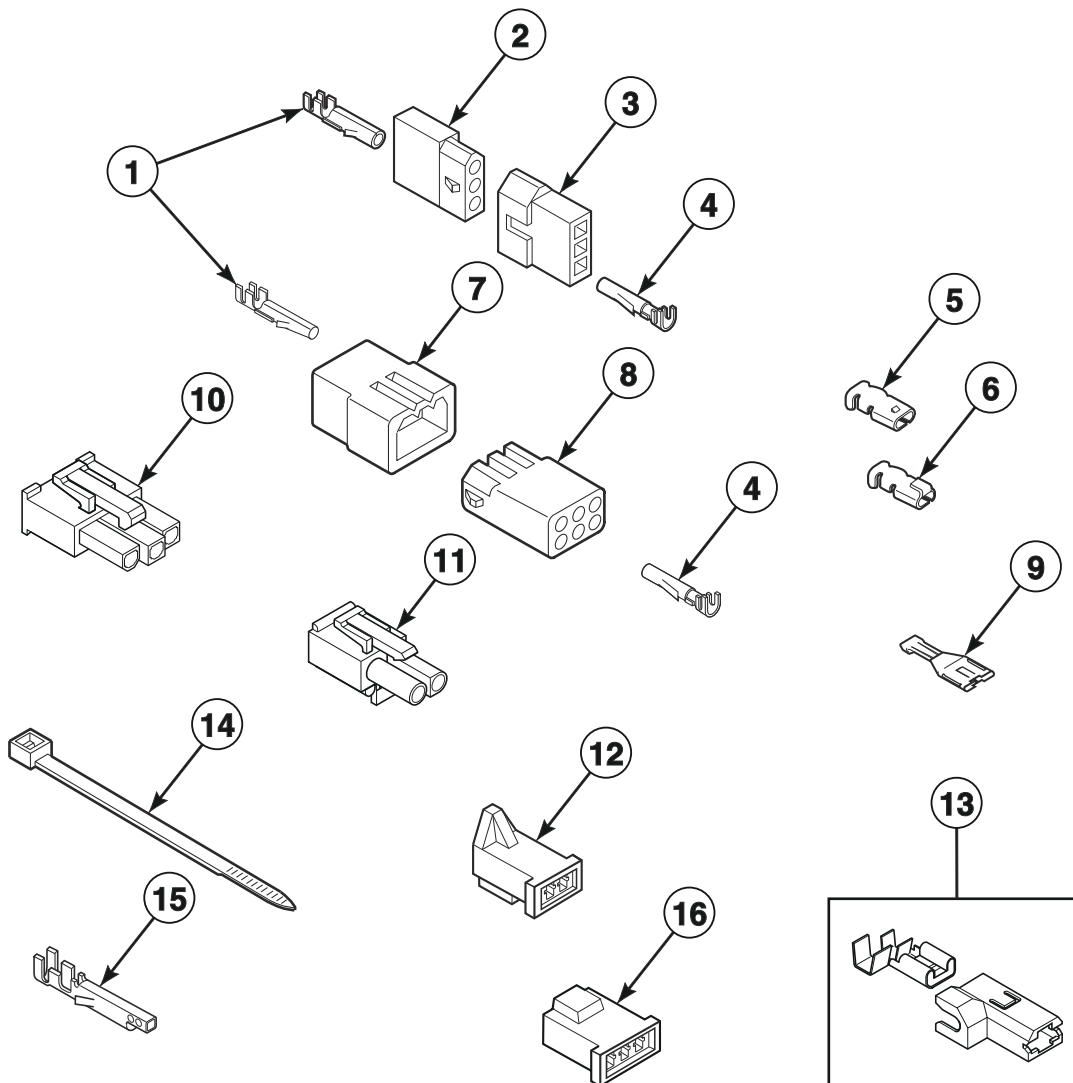


DRY1767P_806119

Dryer Terminals and Terminal Extractor Tools

REF	PART NO.	DESCRIPTION	COMMENTS
1	500338	10 Position Housing	
2	00255	Female Terminal	1/4 inch; (1) 12 gauge wire; Electric models
	00256	Female Terminal	1/4 inch; (1) or (2) 18 gauge wires; Gas models
3	00188	Female Terminal	For 1 or 2 wire application
4	283P4	Terminal Extractor Tool	For use on Molex connectors
5	190P4	Extractor Tool	For use on electric dryer terminals; Electric models
6	128P4	Extractor Tool	For use on gas dryer terminals; Gas models

Terminals

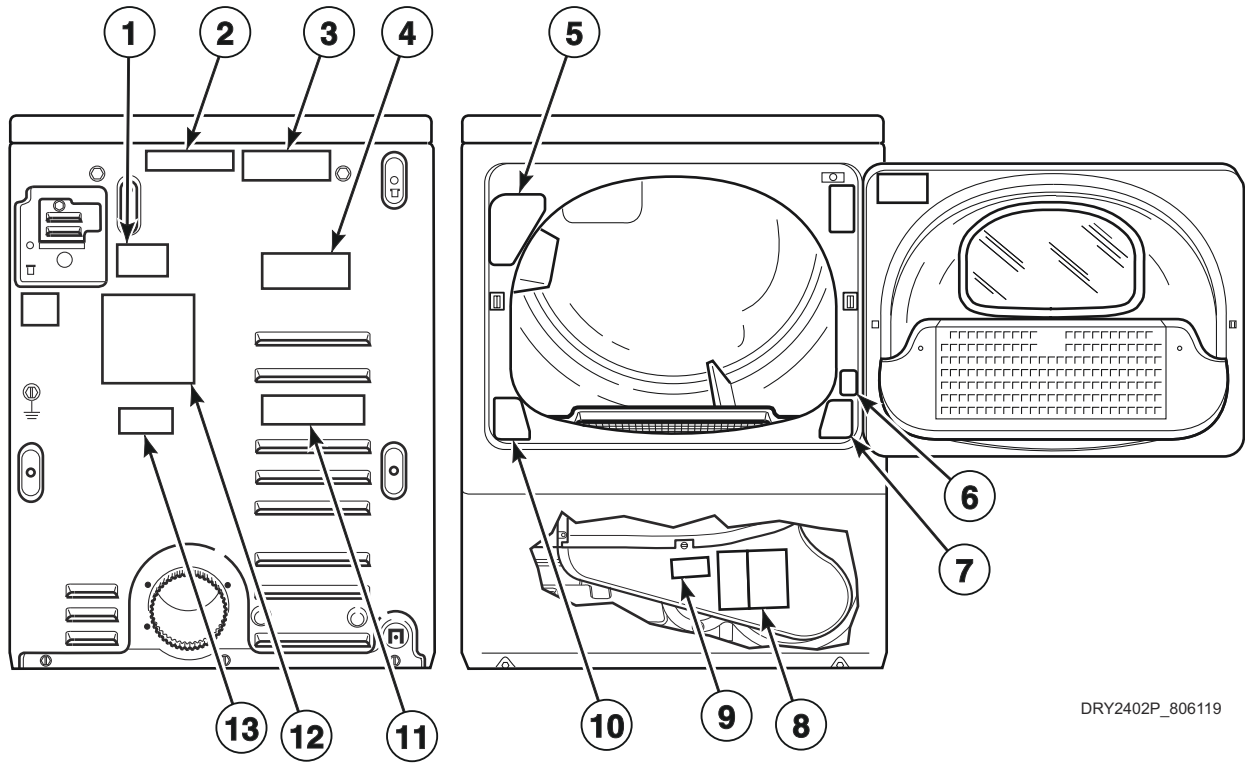


SWD1143P_806119

Terminals

REF	PART NO.	DESCRIPTION	COMMENTS
1	00117	Female Pin Terminal	
2	23039	3 Circuit Receptacle	
3	23040	Plug	
4	00116	Male Pin Terminal	
5	00189	Female Spade Terminal	Gas models
6	00361	Female Piggyback Terminal	Gas models
7	23033	9 Circuit Plug	
8	26708	6 Circuit Receptacle	
9	00256	Female Terminal	
10	36170	3 Circuit Receptacle	
11	501223	2 Circuit Receptacle	
12	58799	2 Circuit Connector	Gas models
13	00221	Insulated Female Flag Terminal	
14	55881	Harness Strap	
15	00252	Terminal	
16	58800	3 Circuit Connector	Gas models

Dryer Labels

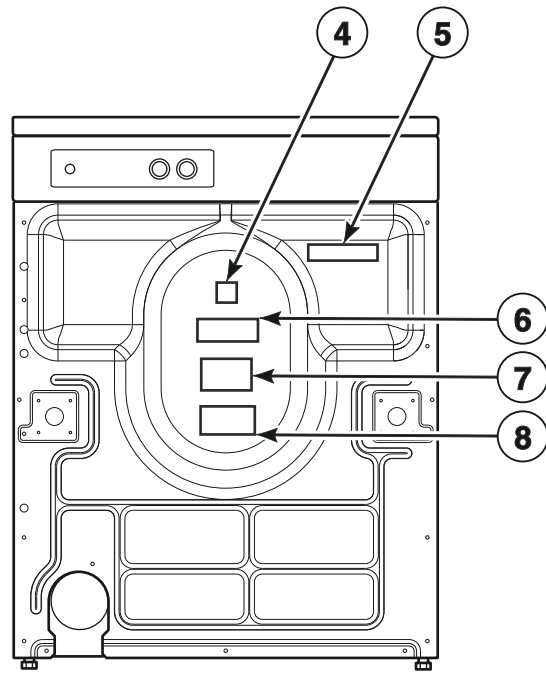
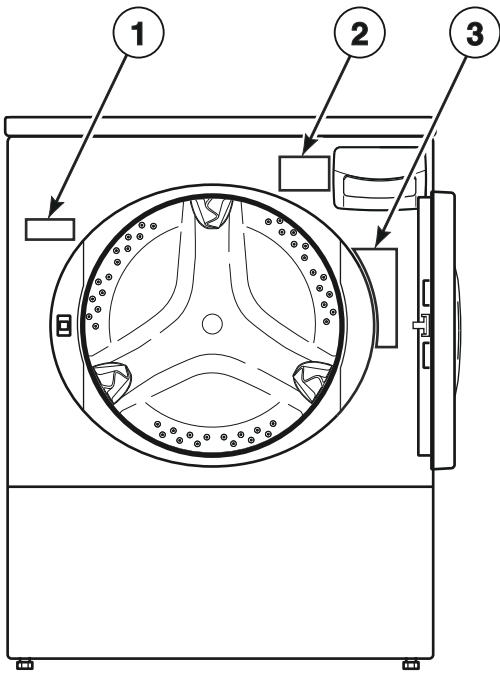


DRY2402P_806119

Dryer Labels

REF	PART NO.	DESCRIPTION	COMMENTS
1	803260	Warning Label	Turn off controls
2	505281	Disconnect Power Warning Label	Text; English
	500316	Warning Label	English/French; Disconnect power
3	44127701	Warning Label	Text; Electric shock
4	502791	Venting Instruction Label	
5	500281	Warning/Caution Label	
6	503887	Label	
7	512263	Warning Label	
8	511004	Gas Clearance Label	
	513341	Clearance Label	
9	500049	Warning Label	Text; Electric shock, rotating parts
	F8211201	Electrical Shock Label	Icon; Electric shock
	F8211301	Pinched Fingers Label	Icon; Crush hazard
10	502781	Lint Filter Label	Icon
11	505215	Gas Label	Text; Stainless steel flexible gas line
12	511005	Electric Clearance Label	
13	500497	Exhaust Warning Label	Text
	502507	Exhaust Warning Label	Icon
	502508	Warning Label	Icon; Fire

Washer Labels

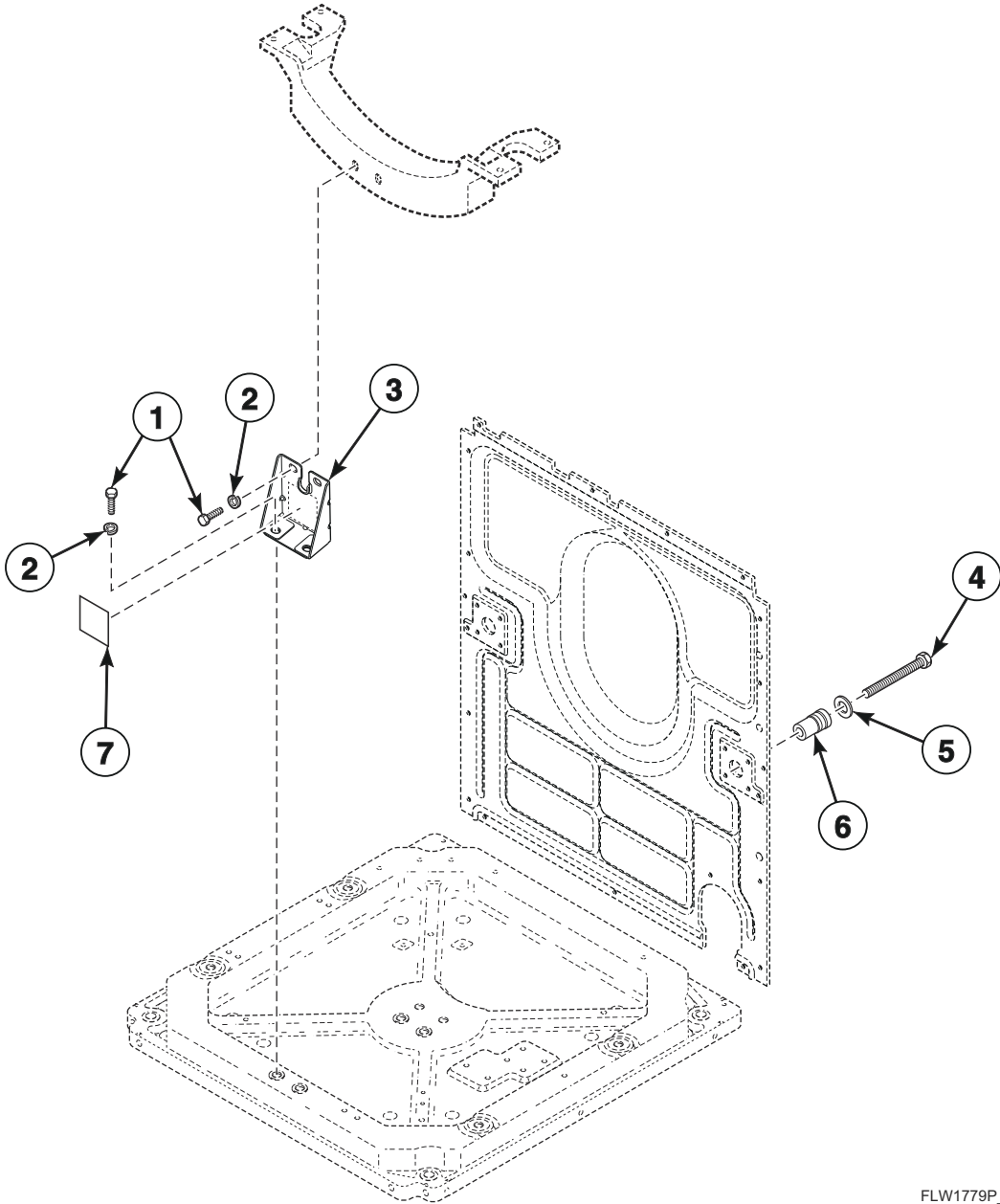


FLW1722P_806119

Washer Labels

REF	PART NO.	DESCRIPTION	COMMENTS
1	803011	Notice Label	
2	802074	Oversudsing Label	English
	802838	Oversudsing Label	Spanish
3	802367	Warning Label	Reduce fire risk; Door locked
4	513371	Read Instructions Label	
5	505281	Disconnect Power Warning Label	English
	801706	Caution Label	Icon; Ground machine
	500316	Warning Label	English/French; Disconnect power
6	685928	Left Hand Thread Label	Text; Left hand thread
	804949	Left Hand Thread Label	Icon; Left hand thread
7	803260	Warning Label	Disconnect power
	F8211201	Electrical Shock Label	Icon; Electric shock
8	500314	Warning Label	English/French
	F8211301	Pinched Fingers Label	Icon; Crush hazard

Shipping Materials

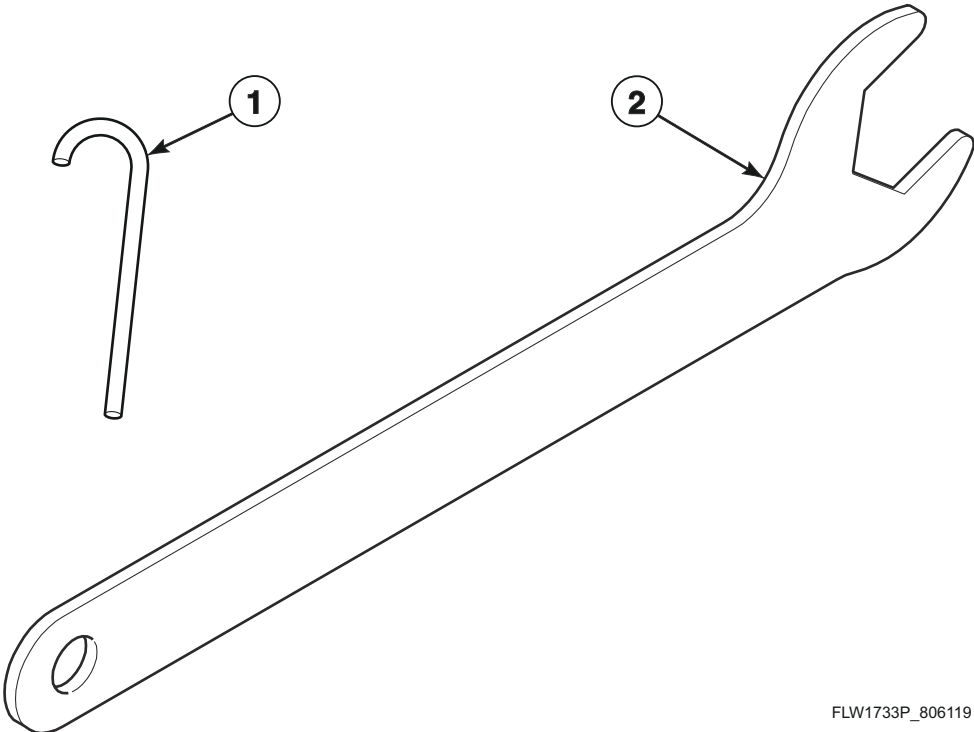


FLW1779P_806119

Shipping Materials

REF	PART NO.	DESCRIPTION	COMMENTS
1	M400043	Screw	
2	M400014	Washer	
3	804454	Shipping Brace	
4	800462	Screw	
5	800624	Washer	
6	803858	Shipping Spacer	
7	804488	Label	

Special Tools

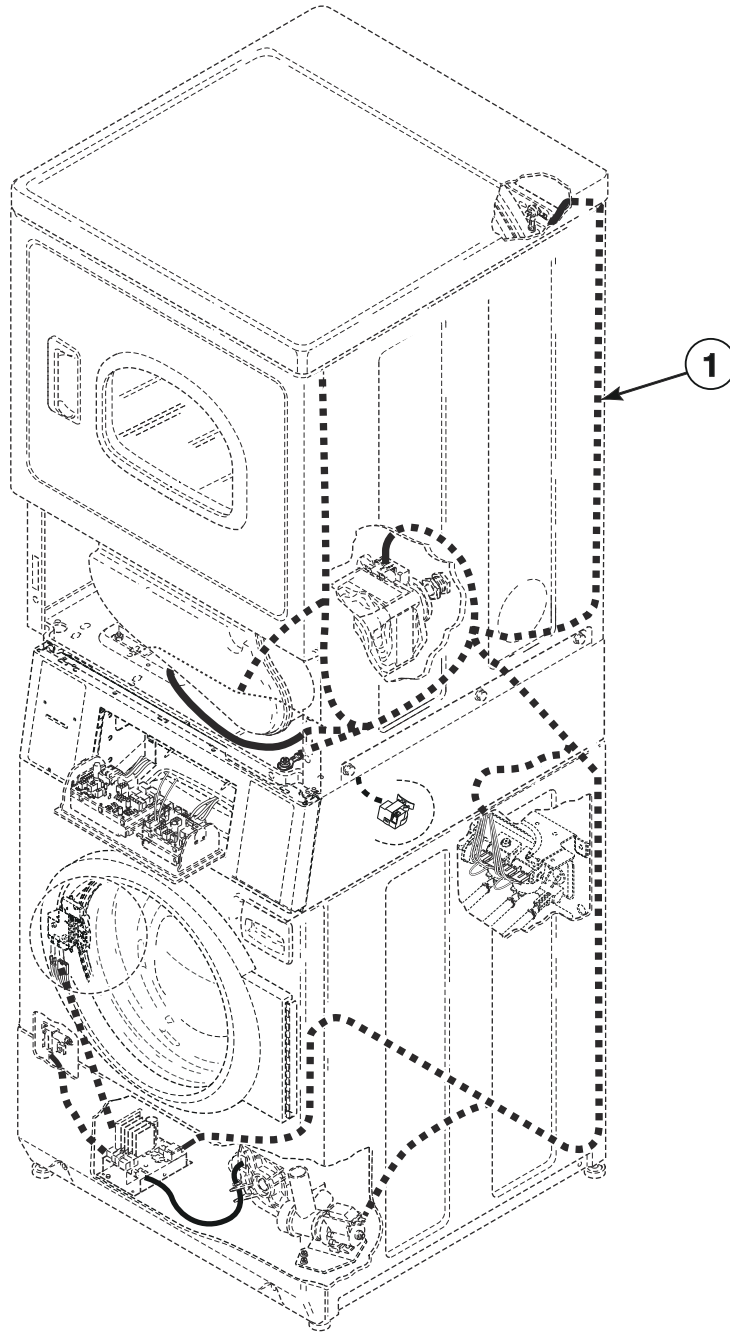


FLW1733P_806119

Special Tools

REF	PART NO.	DESCRIPTION	COMMENTS
1	802336	Pulley Bolt Tightening Fixture	Use to install inner basket
2	392P4	Wrench	Use for adjusting leveling leg nuts

Wire Harnesses and Wires (Drawing 1 of 2)



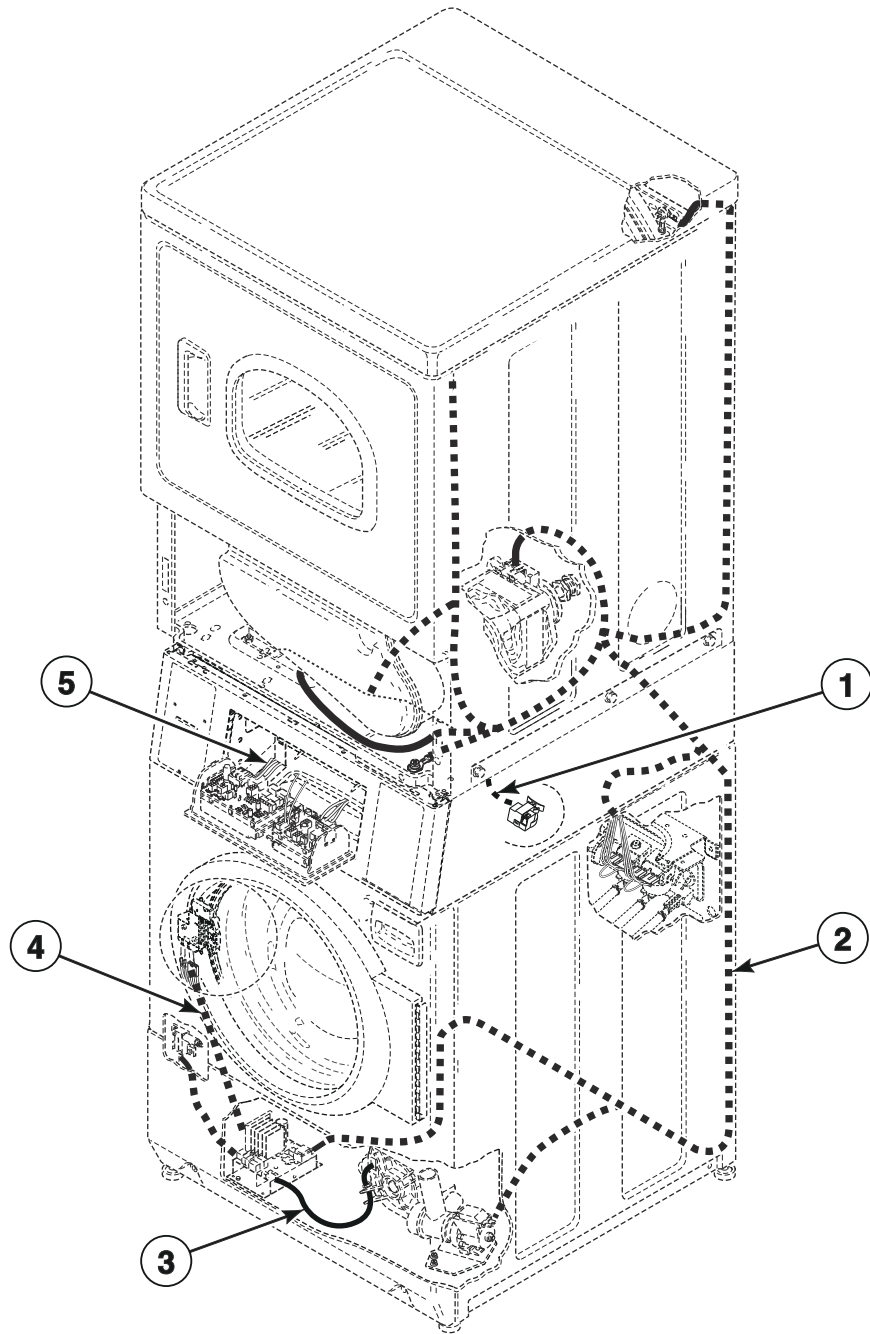
SWD1295P_806119

Wire Harnesses and Wires (Drawing 1 of 2)

REF	PART NO.	DESCRIPTION	COMMENTS
	45001	18 Gauge Wire	Black; Order wire by foot and terminals as required
	45380	12 Gauge Wire	Orange; Order wire by foot and terminals as required
	805684	Harness	Main harness to dryer base; Models HTENXASP283CW01, HTENXASP293CW01, HTENYASP283CW01, HTENYASP293CW01 and HTGNXASP093CW01
	514044	Power Harness	Models HTENXASP283CW01, HTENXASP293CW01, HTENYASP283CW01 and HTENYASP293CW01
	514083	Gas Power Harness	Model HTGNXASP093CW01
1	513968	Upper Electric Harness	Models HTENXASP283CW01, HTENXASP293CW01, HTENYASP283CW01, HTENYASP293CW01, PTEJXASP174TG01, STENCASP173TW01, STENCFSP173TW01, STENXASP173TW01, STENXFSP173TW01, STENYASP173TN01, STENYASP173TW01, STENYFSP173TW01 and STEWYASP173TW01
	513967	Upper Gas Harness	Models HTGNXASP093CW01, HTGNXASP113FW01, HTGNXASP123DW01, HTGNXASP543DW01, PTGJXASP114TG01, STGNCASP113TW01, STGNCFSP113TW01, STGNXASG113JW01, STGNXASG113TW01, STGNXASP113FW01, STGNXASP113TW01, STGNXASP123DW01, STGNXFSP113TW01, STGNYASP113TN01, STGNYASP113TW01, STGNYFSP113TW01 and STGWYASP113TW01
	513975	Upper Gas Harness	Models JT2JEASP413EW06, JT2JGASP413EW06, JT2JMASG413EN06, JT2JXASP413EW06, JTGJEASP303EW06, JTGJXASP303EW06, NT2JLASP403UN01, NT2JLASP403UW01, NT2JLASP403UW06, NT2JXASP403UN01, NT2JXASP403UW06, PT2JGAJG403UG06, PT2JGAJP403UG06, PT2JGASP403UG06, PT2JGASP403UG06, PT2JXASG403UG06, PT2JXASP403UG06, PTGJXASG303UG06, PTGJXASG543ZG01, PTGJXASP303UG06, PTGJXASP304AG01, PTGJXASP543ZG01, ST2JXASP403EW06, STGNXASP303AW01, STGNXASP303AW12, STGNXASP543DW01, STGWYAJP303NN22, STLNXASP543NW23, STLNYASP543NW23, STLNYASP543PW01 and STLWXASP543NN22
	513968	Upper Electric Harness	Models HTENXASP133DW01, HTENXASP133FW01, HTENXASP543DW01, JT1JEASP413EW06, JT1JGASP413EW06, JT1JMASG413EN06, JT1JXASP413EW06, JTEJEASP303EW06, JTEJXASP303EW06, NT1JLASP413UW06, NT1JXASP403UW06, NTHJXASP543NW01, NTHJYASP543NW01, PTEJXASG303UG06, PTEJXASG543ZG01, PTEJXASP303UG06, PTEJXASP434AG01, PTEJXASP543ZG01, ST1JXASP403EW06, STENXASP133DW01, STENXASP133FW01, STENXASP433AW01, STENXASP433AW12, STENXASP543DW01, STEWYAJP303NN22 and STEWYAJP303NW22
	513976	Upper Harness	Models BT3JGAJP403UW01, BT3JGAJG403UW01, BT3JGASP403UN01, BT3JGASP403UW01, BT3JLASG403UW01, BT3JLASP403UN01, BT3JLASP403UW01, BT3JXASG403UW01, BT3JXASP403UN01, BT3JXASP403UW01, NT3JLASG403UW01, NT3JLASP403NN22, NT3JLASP403NW22, NT3JLASP403UN01, NT3JLASP403UW01, NT3JXASG403UW01, NT3JXASP403NW22, NT3JXASP403UN01, NT3JXASP403UW01, PT3JGAJG403UG06, PT3JGAJP403UG06, PT3JGASP403UG06, PT3JGASP403UG06, PT3JXASG403UG06, PT3JXASP403UG06, ST3JXASP403NW22 and TT3JXASP403NW22

NOTE: Individual wires are not available separately. Order complete harness, or order wire by the foot. When applying terminals to wires, it is recommended that the terminals be soldered to the wires.

Wire Harnesses and Wires (Drawing 2 of 2)



SWD1295PA_806119

Wire Harnesses and Wires (Drawing 2 of 2)

REF	PART NO.	DESCRIPTION	COMMENTS
1	804433	Pressure Sensor Harness	
2	806032	Front Control Harness	Models BT3JGAJP403UW01, BT3JGAJG403UW01, BT3JGAJP403UN01, BT3JGASG403UW01, BT3JGASP403UN01, BT3JGASP403UW01, BT3JLASG403UW01, BT3JLASP403UN01, BT3JLASP403UW01, BT3JXASG403UW01, BT3JXASP403UN01, BT3JXASP403UW01, JT1JEASP413EW06, JT1JGASP413EW06, JT1JMASG413EN06, JT1JXASP413EW06, JT2JEASP413EW06, JT2JGASP413EW06, JT2JMASG413EN06, JT2JXASP413EW06, NT1JLASP413UW06, NT1JXASP403UW06, NT2JLASP403UN01, NT2JLASP403UW01, NT2JLASP403UW06, NT2JXASP403UN01, NT2JXASP403UW06, NT3JLASG403UW01, NT3JLASP403NN22, NT3JLASP403NW22, NT3JLASP403UN01, NT3JLASP403UW01, NT3JXASG403UW01, NT3JXASP403NW22, NT3JXASP403UN01, NT3JXASP403UW01, NTHJXASP543NW01, NTHJYASP543NW01, PT2JGAJG403UG06, PT2JGAJP403UG06, PT2JGASG403UG06, PT2JGASP403UG06, PT2JXASG403UG06, PT2JXASP403UG06, PT3JGAJG403UG06, PT3JGAJP403UG06, PT3JGASG403UG06, PT3JGASP403UG06, PT3JXASG403UG06, PT3JXASP403UG06, ST1JXASP403EW06, ST2JXASP403EW06, ST3JXASP403NW22 and TT3JXASP403NW22
	806031	Front Control Harness	All other models
3	806029	Motor Harness	
4	806028	Door Lock Harness Assembly	
5	513991	Security Cabinet Harness	

NOTE: Individual wires are not available separately. Order complete harness, or order wire by the foot. When applying terminals to wires, it is recommended that the terminals be soldered to the wires.

Parts Index

A

Access Panel and Guard Assembly	
514252DG	59
514252W	59
514253	59
Access Panel Assembly	
514250DG	59
514250WP	59
514251	59
804617DGP	27
804617W	27
804618	27
Access Panel Plate	
510903	83
Adhesive	
511637P	67, 71
Air Duct Assembly	
510151LG	69
510151W	69
Anchor	
155P3	45
Anchor Floor Mount Assembly	
802844P	45
Anti-Seize Compound	
27604P	37, 61, 63

B

Backflow Preventer	
800310	43
Balance Ring Assembly	
804393	37
Base Assembly	
803876	45
Bearing Housing Assembly	
803684P	37
Bearing Kit	
805730	37
Block to Relay Harness	
511112P	73
Blower Fan Assembly	
510139P	63
Blower Housing	
511969LG	61
511969WP	61
Blower Housing Seal	
510238P	61
Bolt	
29651	15
Booster and Holding Coil	
58804A	79
Bracket	
510146	83
Bracket Transformer	
514351	85
Bumper Pad	
36226	45
56128	83

Burner Assembly	
510149P	79

C

Cabinet Panel Kit	
800004WP	45
Cabinet Rear Panel	
510005P	83
Cabinet Side Panel	
510001DGP	83
510001WP	83
510002DGP	83
510002WP	83
800004DG	45
800005DG	45
800005W	45
802525P	45
802526P	45
Cable Connection Box	
39922	47
Card Insert Overlay	
511544	25
514391	23
Caution Label	
801706	97
Central Pay Harness	
805427	7
Chemical Injection Control	
804528	49
Chemical Injection Conversion Kit	
805772	49
Chemical Injection Label	
804607	49
Clamp Ring	
803802	35
Clean Lint Label	
502804	59
Clearance Label	
513341	95
Clip	
201572	21
Clothes Guard Deflector	
804467	35
804482	35
Coin Drop	
38963P	19
70441601P	19
Coin Drop Assembly	
CK114	19
CK123	19
38462P	19
38463	19
38464P	19
38467	19
38472	19
38519	19
38521	19
70441602	19
70482401	19

N/A items do not appear in index.

Coin Drop Wire Harness 201104	21
Coin Identification Paper 38725	21
Combustion Duct 510131	77
Connector F140312	87
M400149	49
801789	23
Connector, 2 Circuit 58799	93
Connector, 3 Circuit 58800	93
Contactors F330177P	73
70482603	11
Control Assembly 514138P	7
514139P	7
515442	7
804471P	7
804472P	7
806041P	7
Control Overlay 805381	9
805382	9
Control Panel 803964B	15
803964DG	15
803964W	15
803968B	23
803968W	23
803972B	23
803972DG	23
803972W	23
805545B	23
Control Panel and Bracket Assembly 800034W	7
Control Panel Assembly 804069B	7
804069DG	7
804069W	7
Control Shield 804363	7
Conversion Kit 756P3	73
Counterweight 803810	35
Cylinder Assembly 505929LGP	67
510265LGP	67
510265WP	67
Cylinder Baffle 510102LG	67
510102W	67
Cylinder Belt 511255P	63
Cylinder Glide 513710	67
Cylinder Glide Bracket 510145	67
Cylinder Roller 510708P	71

Cylinder Roller Bracket 510100	71
Cylinder Seal Assembly 510207P	67, 71

D

Detergent Hose 804717	29
Din Rail M412693	73
Directional Exhaust Kit 528P3	83
Disconnect Power Warning Label 505281	95, 97
Dispenser Assembly 803698	29
Dispenser Drawer 803667	29
Dispenser Handle 804227B	29
804227WP	29
804228	29
804415B	29
804415W	29
804526	29
Dispenser Inlet Hose 803849	29, 31
Dispenser Plate 803843	29
Door and Liner Assembly 511636WP	57
Door Assembly 804083WP	27
804210	27
Door Catch Assembly 510177	59
802803	27
Door Glass 802695P	27
Door Glass Mounting Plate 804239	27
Door Handle Wedge 510129LG	53, 55
510129W	53, 55
Door Hinge 802934	27
Door Latch Assembly 803920	27
Door Liner Grill 503870LG	55
503870W	55
Door Lock Drip Shield 804784	27
Door Lock Harness Assembly 806028	105
Door Pull 512947	53
Door Pull and Wedge Kit 510103WP	57
511213P	53
515950P	57

N/A items do not appear in index.

Door Seal	
804428P	27
Door Strike	
510181	53, 55
Door Strike Mount	
510127	53, 55
Drain Hose	
27154	43
Drain Hose Bracket	
803828	45
Drain Hose Elbow	
35766	43
Drain Pump Assembly	
803921P	43
803922	43
805722P	43
805724P	43
Drain Pump Drip Shield	
805561	43
Drain Pump Isolator	
803815	43
Drain Valve	
803293	41
Drain Valve Kit	
F975P3	41
F976P3	41
Drain-to-Cabinet Hose	
800903	41
Drip Shield	
514327	59
Drive Belt	
804985	39
Dryer Base	
514245	85
Dryer Door	
510013DG	53
510082WP	55
512969	53
Dryer Door Assembly	
514114W	55
Dryer Door Window	
503982P	55
Dual Coin Harness Assembly	
202871	19, 21
Dual Overlay	
39073	15

E

Elbow	
513072	79
Elbow Shut-Off Valve	
510205	79
Electric Clearance Label	
511005	95
Electrical Shock Label	
F8211201	95, 97
Electronic Coin Drop Assembly	
70294103P	21
70294104	21
70294105P	21
70294106	21
70294107	21

70294110	21
70294111	21
70294112	21
70294116	21
70294117	21
70294120	21
70294121	21
Electronic Coin Drop Kit	
CK099	21
CK100	21
CK101	21
CK103	21
CK108	21
CK109	21
CK110	21
CK113	21
CK115	21
CK116	21
CK117	21
CK118	21
CK120	21
CK121	21
End Stop	
70121001	73
Exhaust Duct	
510137	83
Exhaust Warning Label	
500497	95
502507	95
Expansion Clip	
70030501	15, 23
Extension Spring	
802285	27
Extractor Tool	
128P4	91
190P4	91

F

Felt Pad	
510189	67
Female Piggyback Terminal	
00361	93
Female Pin Terminal	
00117	93
Female Spade Terminal	
00189	93
Female Terminal	
00188	91
00255	91
00256	91, 93
Fill Hose	
202799	33
202800	33
20617	33
20618	33
Filter	
514384P	89
805634	11
Filter Harness	
514036	89
514037	89
514040	89
804396	11, 89
804797	11

N/A items do not appear in index.

Filter Jumper Harness 804805	47
Fitting 801792P	11
Flexible Venting Kit 521P3	83
Foam Pad 804875	29
Foreign Object Deflector 806308	35
806313	35
Front Bulkhead Assembly 510266P	67
Front Control Harness 806031	105
806032	105
Front Panel 510066DG	59
510066WP	59
512542	59
802277DG	27
802277WP	27
802288P	27
Front Panel Seal 511056	59
Fuse Notice Label 61294	69

G

Gas Clearance Label 511004	95
Gas Label 505215	95
Gas Power Harness 514083	103
Gas Valve Assembly 60353P	79
Gas Valve Mounting Bracket 510128	79
Gasket 802427	43
Glass Door Window 513910	57
Glass Mounting Clip 802700	27
Glide Kit RB170003	67
Gravity Drain Bracket 803291	41
803833	45
Gravity Drain Valve 803292	41
Grommet 29175	35
Ground Filter Harness 514038	89
514039	89

H

Harness 805684	103
Harness Strap 55881	51, 93
Heat Contactor Harness 805544	11
Heat Duct Shroud 510101	77
Heater 511014P	73
Heater Assembly 510324P	75
510326P	75
510327P	75
510329P	75
510330P	75
Heater Contactor Drip Shield 805356	11
Heater Duct and Screw Assembly 510025P	73, 75, 77
Heater Kit 964P3	75
965P3	75
Heater Kit Assembly 61927	75
61928	75
61929	75
61930	75
Heating Element 804777P	35
804778P	35
Hinge 511036	53, 55
Hinge Hole Plug 510186	59
Hinge Plate 802206	27
Hold Down Kit 526P3	85
Hose and Washers Kit 203675	33
203676	33
Hose Clamp F200204	43
F200206	29
20211	43
20391	43
685725	29, 41
802281	27
803891	35
804173	29, 31
Hose Clip 36985	35, 51
800553	37
Housing, 10 Position 500338	91

I

Idler Lever 510133	65
-----------------------------	----

N/A items do not appear in index.

Idler Lever and Wheel Assembly	510158	65
Idler Spring	510185	65
Idler Wheel and Bearing Assembly	510142P	65
Igniter and Bracket Assembly	510184P	79
Inner Basket Assembly	804374P	37
	805485	37
Inner Basket Assembly Kit	804376P	37
Inner Door Bezel	804562	27
Inner Door Bezel Kit	802307P	27
	802331P	27
Insert	685716	29
Instruction Label	805664	15
	805665	15
	806195	15
Insulated Female Flag Terminal	00221	93
Inverter Control Assembly	803949P	39

J

Jumper Wire Assembly	511270	73
Junction Box	803818	47, 49
	803819	47
	803827	49
	804559	47
	804561	47, 49
Junction Box Assembly	514398	89
	514399	89
	514400	89
	514402	89
Junction Box Cover	514363	89
	803820	47, 49
Junction Box Seal	514379P	89
	803832	47, 49

K

Key	54612	7
-----	-------	---

L

Label	503887	95
	804488	99

	804969	9
	805914	9
Lead-In Cord	202777	51, 87
	202926	89
	203208	89
	203315	87
	203344	87
	39926	47
	514061	89
	514952	89
	514953	89
	805974	47
Lead-In Cord Assembly	503597	89
	506106	89
	804556	47
Lead-In Cord Kit	61605P	89
Lead-In Pipe Assembly	510204	79
Left Hand Thread Label	685928	97
	804949	97
Leveling Leg	34319	45
	510135	85
Lid Assembly	802426P	43
Lifter	804382	37
Limit Thermostat	510701	73, 75
	510702	77
Line Filter	804844	89
	804864	89
	805633	11
Liner and Seal Assembly	510098LG	55
	510098W	55
Liner Door Seal	510147P	53, 55
Liner, Seal and Grill Assembly	510163WP	53
	513109P	53
Lint Filter	503980LG	69
	503980W	69
Lint Filter Label	502781	95
Lock Assembly	804339P	7
Lock Cam	27261	7
	804338	7
Lower Junction Box Assembly	514403	89
L.P. Conversion Kit	458P3	79
	600P3	79
L.P. Orifice	503786	81
	58755	81

N/A items do not appear in index.

M

Machine ID Control Assembly	
203361P	7
Male Pin Terminal	
00116	93
Meter Case Assembly	
804009B	15
804009DG	15
804009W	15
Mixing Valve	
803809	31
803838P	31
Mixing Valve Screen	
24122	31
Mixing Valve Shield	
804783	31
Motor and Pulley Assembly	
505843P	63
505869P	63
511629P	63
Motor and Rod Assembly Kit	
805726P	39
Motor Control Shield	
804792	39
804878	39
Motor Harness	
806029	105
Motor Hub Ring Kit	
590P3	63
Motor Mount	
510060	65
Motor Mount Clamp	
510180	63
Motor Pulley	
500011	63
500222	63
Motor Rod	
803861	39
Motor Shield	
514602	61
Mounting Tool Kit	
CK096	21

N

Network Varistor Assembly	
804651	11
Notice Label	
803011	97
Nut	
F430218	35, 37
03673	51
201216	21
21899	45
23951	27
29786	19, 41
29787	11, 89
36020	27
44071201	57
44087201	15
51236	89
52566	65

N/A items do not appear in index.

56156	65, 71
685846	27
800452	35, 37
802292	29
802343	35
804418	37

N.G. Conversion Kit	
459P3	79

N.G. Orifice	
503776	81
503778	81
503779	81
503780	81
510517	81

O

Operation Instructions	
805667	23

O-Ring	
F170208	29
802429P	43

Outer Door Bezel	
803710BP	27
803710WP	27
803711P	27

Outer Tub Assembly	
803864	35
803865	35

Outlet Cover	
500820	73, 75, 77

Out-of-Balance Switch Assembly	
803415	35

Out-of-Balance Switch Bracket	
804457	35

Output Board Shield	
514420	85

Output Control Assembly	
513797P	85

Overlay	
201091	15
514873	23
804852	9
805380	9
805383	9
805384	9
805385	9
805386	9
805387	9
805765	9
805767	9
805970	9
806174	9

Overlay Kit	
38676	15

Oversuding Label	
802074	97
802838	97

P

Paint	
806436P	45, 83

Panel Locator 56079	27, 45, 59, 83
Pinched Fingers Label F8211301	95, 97
Plug 23040	93
Plug, 9 Circuit 23033	93
Pop Rivet 685847	37
Porcelain Touch-Up Paint 122P4P	45, 83
Power Cord Assembly 202624	47
39931	47
58992	87
801450	47
802012	47
805761	51
805762	51
Power Harness 514044	103
Pressure Bulb 803837	35
Pressure Sensor 202470	45
Pressure Sensor Harness 804433	105
Pressure Sensor Tube Assembly 804483	35
Pulley Assembly 803974	37
Pulley Bolt Tightening Fixture 802336	101
Pump Housing 802428	43
Pump Housing Assembly 802434P	43
Pump-to-Elbow Hose 803734	43
Pump-to-Gravity Drain Kit 805769	43
805770	43
805771	43

R

Read Instructions Label 513371	97
Rear Access Panel 803998	15, 23
Rear Bulkhead Assembly 510905WP	71
511082P	71
Rear Panel 803789	45
803790	45
Rear Service Panel 805834	17, 25
Receptacle, 2 Circuit 501223	93
Receptacle, 3 Circuit 23039	93

36170	93
Receptacle, 6 Circuit 26708	93
Relay to Heater Harness 511114P	73
Retaining Ring 23748	39, 65, 71
Roller Kit RB170002	71
Rubber Foot 34318	45
501855	45

S

Screw M400043	37, 99
M400057	39
M405188	23
02916	41
20530	51, 87, 89
23222	73, 75, 79
31260	61
33562	59
36048	85
39733	27, 45, 59, 83
500226	55
500824	65
501285	69, 71
501524	7, 39
502535	63
503661	7, 11, 13, 27, 39, 41, 43, 45, 47, 49, 89
503688	7, 11, 15, 17, 23, 25, 59, 63, 67, 71, 73, 75, 77, 79, 83, 85
505295	53, 55, 67
505870	55
512921	27, 45
514428	85
515597	55
51782	77, 79
52864	69
52909	43
56124	79
61199	71
62588	67
685831	37
70240301	15, 23
800461	35
800462	35, 37, 99
800548	27, 29, 37
801001	29
801019	27
801045	27
801993	27
802431	43
802596	35
804399	37
804608	7
804667	85
804699	37
Screw Orifice 58719	81
Seal Kit RB170001	67, 71
Secondary Coil 58804B	79

N/A items do not appear in index.

Security Cabinet Front Assembly 511208W	25
Security Cabinet Harness 513991	105
Security Cabinet Warpper Assembly 800231W	25
Security Cabinet Wrapper Assembly 801235W	17
Sensor 510213	79
Shaft 56461P	65, 71
Shield Bracket 804018	7
Shipping Brace 804454	99
Shipping Plate 803851	45
Shipping Plug 8038589	45
Shipping Spacer 803858	99
Shock Assembly 803777	35
Single Coin Harness Assembly 202870	19
Single Drop Overlay 803476	15
Single Overlay 38717	15
Snap Bushing M402542	11, 49
503235	41
Speed Clip 28835	59
Standpipe Strap 33489	43
Strain Relief 38384	47, 51, 87
60298	47, 89
Supply Injection Wire Harness Assembly 804799	49
Switch 511632WP	17
512973	7, 15, 59

T

Terminal 00252	93
Terminal Block Assembly 505876	11
510190P	71
803988	11
Terminal Block Drip Shield 805344	11
Terminal Block Harness 804737	11
Terminal Block Shield 510237	71
514330	71
Terminal Extractor Tool 283P4	91

N/A items do not appear in index.

Thermal Fuse Assembly 511412	73, 75
Thermistor Assembly 502366	63
510523	63
Thermostat Shield 514325	61
Top Hinge 510136	83
Top Kit 510032WP	83
Top Panel 510032DG	83
Transformer 201375P	21
202757	7
202758	7
513763	85
Transformer Harness 804795	7
805428	7
Transformer Kit 203423	7
203424	7
Transformer Shield 514334	85
Trunnion Assembly 804405	37
Tub Front 803770	35
Tub Front Assembly 803879	35
Tub Front Seal 800432P	37
803801	35
Tubing 801635	29
Tub-to-Drain Hose 803873	41
Tub-to-Gravity Drain Hose 803874	41
Tub-to-Pump Hose 803816	43
803829	43

U

Union 801788	23
Upper Electric Harness 513968	103
Upper Gas Harness 513967	103
513975	103
Upper Harness 513976	103
Upper Junction Box Assembly 514401	89

V

Valve Assembly	
60443P.....	79
Venting Instruction Label	
502791.....	95

W

Warning Label	
44127701.....	95
500049.....	35, 95
500314.....	97
500316.....	95, 97
502508.....	95
512263.....	59, 95
802367.....	97
803260.....	95, 97
Warning/Caution Label	
500281.....	59, 95
Washer	
M400014.....	99
M400017.....	41
M400080.....	39
M400081.....	35
M403958.....	37
02834.....	39
03815.....	51
20290.....	33
26509.....	85
504082.....	71
52549.....	39, 65, 71
800457.....	37
800464.....	37
802254.....	33
803615.....	33
804458.....	35
Water Hose	
F200116.....	33
Window Clip	
513958.....	57
Window Trim	
503981W.....	57
513960W.....	57
Wire Assembly	
510527.....	75
510528.....	75
Wire Clamp Ring	
802283.....	27
Wire Clip	
504034.....	51
687500.....	51
Wire Guard	
201595P.....	19
Wire Tie	
38663.....	51
Wireless Network Board Harness	
F8536002.....	13
Wireless Network Kit	
203327.....	13
Wire, 12 Gauge	
45380.....	103

Wire, 18 Gauge	
45001.....	103
Wiring Harness Assembly	
202868.....	7
Wrapper Assembly	
804104DG.....	15
804104W.....	15
804108B.....	15, 23
804108DG.....	15, 23
804108W.....	15, 23
804111B.....	23
804111W.....	23
804112W.....	23
804115B.....	23
804115DG.....	23
804115W.....	23
Wrench	
392P4.....	101

N/A items do not appear in index.

