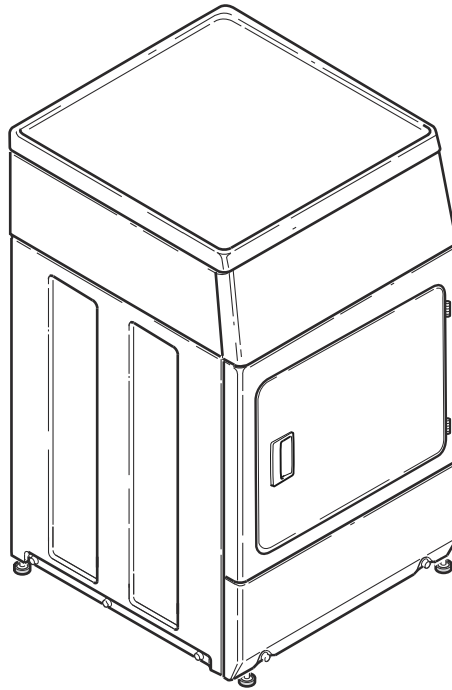


# Commercial Dryers

Metered and Nonmetered  
Refer to Page 5 for Model Numbers



DRY721C\_515203



# Table of Contents

Title	Page
Parts Ordering Information.....	3
Serial Plate Location .....	3
Model Identification .....	5
Control Panel and Controls - Rear Control Coin Drop Models.....	6
Control Panel and Controls - Rear Control Card Models .....	8
Non-Electronic Coin Drop - Rear Control Models .....	10
Electronic Coin Drop - Rear Control Models .....	12
Meter Case - Rear Control Coin Drop Models .....	14
Cabinet Top - Rear Control Models .....	16
Control Panel and Controls - 10 Degree Front Control Models (Drawing 1 of 2).....	18
Control Panel and Controls - 10 Degree Front Control Models (Drawing 2 of 2).....	20
Network Board Assembly.....	22
Non-Electronic Coin Drop - Front Control Models.....	24
Electronic Coin Drop - Front Control Models .....	26
Control Cabinet Controls - 10 Degree Front Control Models (Drawing 1 of 2).....	28
Control Cabinet Controls - 10 Degree Front Control Models (Drawing 2 of 2).....	30
Cabinet Top - 10 Degree Front Control Models.....	32
Control Cabinet - 45 Degree Front Control Models (Drawing 1 of 2).....	34
Control Cabinet - 45 Degree Front Control Models (Drawing 2 of 2).....	36
Loading Door without Window .....	38
Loading Door with Window .....	40
Access Panel .....	42
Front Panel and Seal .....	44
Motor and Belt.....	46
Exhaust Fan and Idler .....	48
Thermistor.....	50
Front Bulkhead, Air Duct and Felt Seal (Drawing 1 of 2) .....	52
Front Bulkhead, Air Duct and Felt Seal (Drawing 2 of 2) .....	54
Cylinder Assembly .....	56
Rear Bulkhead, Felt Seal and Cylinder Roller .....	58
Terminal Block .....	60
Terminal Block - 3 Phase Electric Models.....	62
Heater Duct Assembly - 3 Phase Electric Models.....	64
Heater Duct and Element Assembly - 1 Phase Electric Models .....	66
Heater Duct Assembly .....	68
Gas Valve and Igniter - Through Serial No. 1908000001 .....	70
Gas Valve and Igniter - Starting Serial No. 1908000001 .....	72
Gas Valve - Through Serial No. 1908000001 .....	74
Gas Valve - Starting Serial No. 1908000001 .....	76
Gas Conversion Kits .....	78
Burner Orifice Spuds - For Higher Elevations.....	80

© Copyright 2020, Alliance Laundry Systems LLC

All rights reserved. No part of the contents of this book may be reproduced or transmitted in any form or by any means without the expressed written consent of the publisher.

Cabinet, Exhaust Duct and Base .....	82
Contactor and Transformer .....	84
Ignition Control Module .....	86
Power Cord .....	88
Junction Box .....	90
Junction Box Filter and Harnesses .....	92
Terminal Block and Terminals .....	94
Terminals .....	96
Motor Connection Block and Tools .....	98
Wire Harnesses and Wires - Front Control Models (Drawing 1 of 2) .....	100
Wire Harnesses and Wires - Front Control Models (Drawing 2 of 2) .....	102
Wire Harnesses and Wires - Rear Control Models .....	104
Label Location on Rear of Cabinet .....	106
Parts Index .....	109

## Parts Ordering Information

If literature or replacement parts are required, contact the source from whom the machine was purchased or contact Alliance Laundry Systems at (920) 748-3950 for the name and address of the nearest authorized parts distributor.

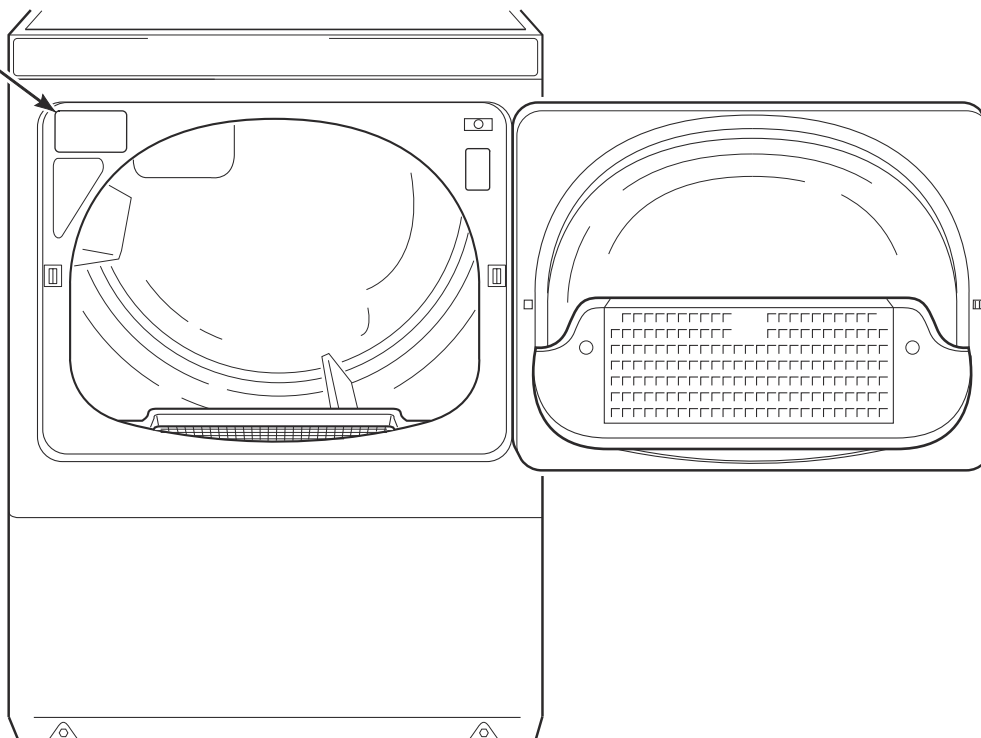
For technical assistance, call the number listed below:

(920) 748-3121 Ripon, Wisconsin

## Serial Plate Location

When calling or writing about your product, be sure to mention model and serial numbers. Model and serial numbers are located on serial plate(s) as shown.

SERIAL PLATE



DRY2283P\_515203



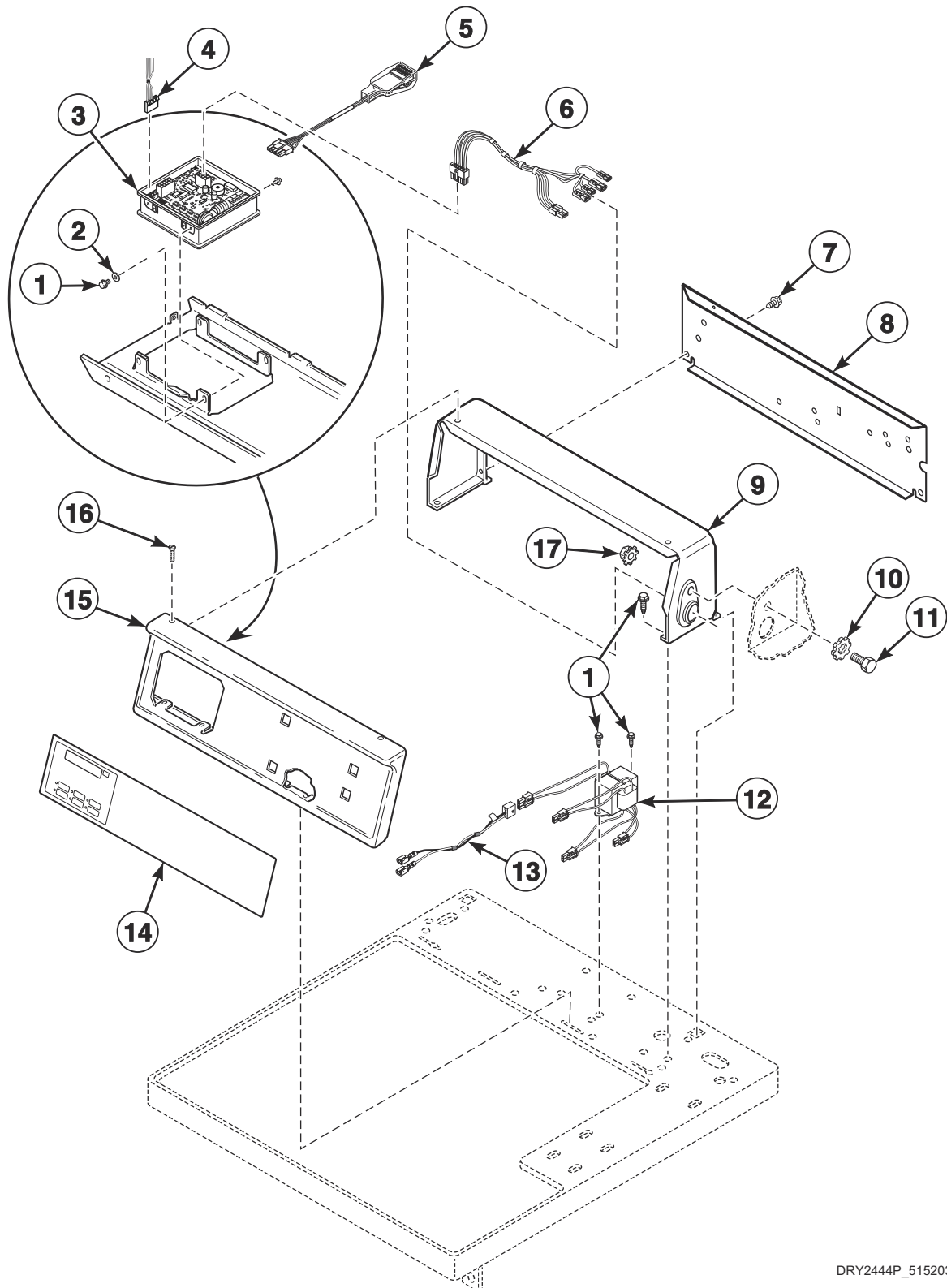
## Model Identification

Information in this manual is applicable to these dryer models:

BD3NGBGS403UW01	JDEJEAGW303EW01	SD3JGBGS403UW01
BD3NGBSS403UN01	JDEJGAGW303EW01	SDENEAGS153CW01
BD3NLBGS403UW01	JDEJGASW303EN01	SDENEAGS173CW01
BD3NLBSS403UN01	JDEJGBGW303EW01	SDENERGS153CW02
BD3NXAGS403UW01	JDEJGBSW303EN01	SDENERGS173CW02
BDGNGBGS303EW01	JDEJRAGW303EW01	SDENXAGS153CW01
BDGNLBGS303EW01	JDEJXAGW303EW01	SDENXAGS173CN01
BDGNXAGS303EW01	JDGJEAGW303EW01	SDENXAGS173CW01
HDENEAGS153CW01	JDGJGAGW303EW01	SDENXAGS433AW01
HDENEAGS173CW01	JDGJGASW303EN01	SDENXAGS543DW01
HDENERGS153CW01	JDGJGBGW303EW01	SDENXAGS543RW01
HDENERGS173CW01	JDGJGBSW303EN01	SDENXRGS153CW02
HDENXAGS173CN01	JDGJRAGW303EW01	SDENXRGS173CW02
HDENXAGW173CN01	JDGJXAGW303EW01	SDENXRGS433AW01
HDENXAGS153CW01	ND3NLBGS403NW22	SDENXRGS433LW01
HDENXAGS173CW01	ND3NLBGS403ZW01	SDENYAGS153CW01
HDENXAGS543DW01	ND3NLBSS403UN01	SDENYAGS173CW01
HDENXRGS153CW01	ND3NXASS403UN01	SDENYRGS153CW01
HDENXRGS173CW01	NDENXAGS173MW01	SDENYRGS173CW01
HDENYAGS153CW01	NDENXAGS303UW01	SDENYRGS303NW22
HDENYAGS173CW01	NDGNXAGS113MW01	SDENYRGS303ZW01
HDENYBGS173CW01	NDGNXAGS303EW01	SDEWXAGS433LW01
HDENYRGS153CW01	NDGNXAGS303ZW38	SDGNEAGS113CW01
HDENYRGS173CW01	PD3JGBGS403UG01	SDGNERGS113CW02
HDGNEAGS113CW01	PD3JXAGS403UG01	SDGNXAGS113CN01
HDGNERGS113CW01	PDEJGBGS303UG01	SDGNXAGS113CW01
HDGNXAGS113CN01	PDEJGBGS543ZG01	SDGNXAGS123DW01
HDGNXAGS123DW01	PDEJXAGS434AG01	SDGNXAGS303AW01
HDGNXAGS543DW01	PDGJGBGS303UG01	SDGNXAGS543DW01
HDGNXAGW113CN01	PDGJGBGS543ZG01	SDGNXRGS113CW02
HDGNXAGS113CW01	PDGJXAGS303UG01	SDGNXRGS303AW01
HDGNXRGS113CW01	PDGJXAGS304AG01	SDGNYAGS113CW01
HDGNYAGS113CW01	PDGJXAGS543ZG01	SDGNYRGS113CW01
HDGNYBGS113CW01		SDLNXRGS303LW01
HDGNYRGS113CW01		SDLNXRGS543NW23
		SDLNXRGS543PW01
		SDMNXRGS083JW01
		SDMNXRGS103JW01
		TD3NGBGS403NW36

# Control Panel and Controls - Rear Control Coin Drop Models

Models HDENERGS153CW01, HDENERGS173CW01, HDENXRGS153CW01, HDENXRGS173CW01, HDGNERGS113CW01, HDGNXRGS113CW01, SDENERGS153CW02, SDENERGS173CW02, SDENXRGS153CW02, SDENXRGS173CW02, SDENXRGS433AW01, SDENXRGS433LW01, SDENYAGS173CW01, SDGNERGS113CW02, SDGNXRGS113CW02, SDGNXRGS303AW01, SDLNXRGS303LW01, SDLNXRGS543NW23, SDLNXRGS543PW01, SDMNXRGS083JW01 and SDMNXRGS103JW01



DRY2444P\_515203

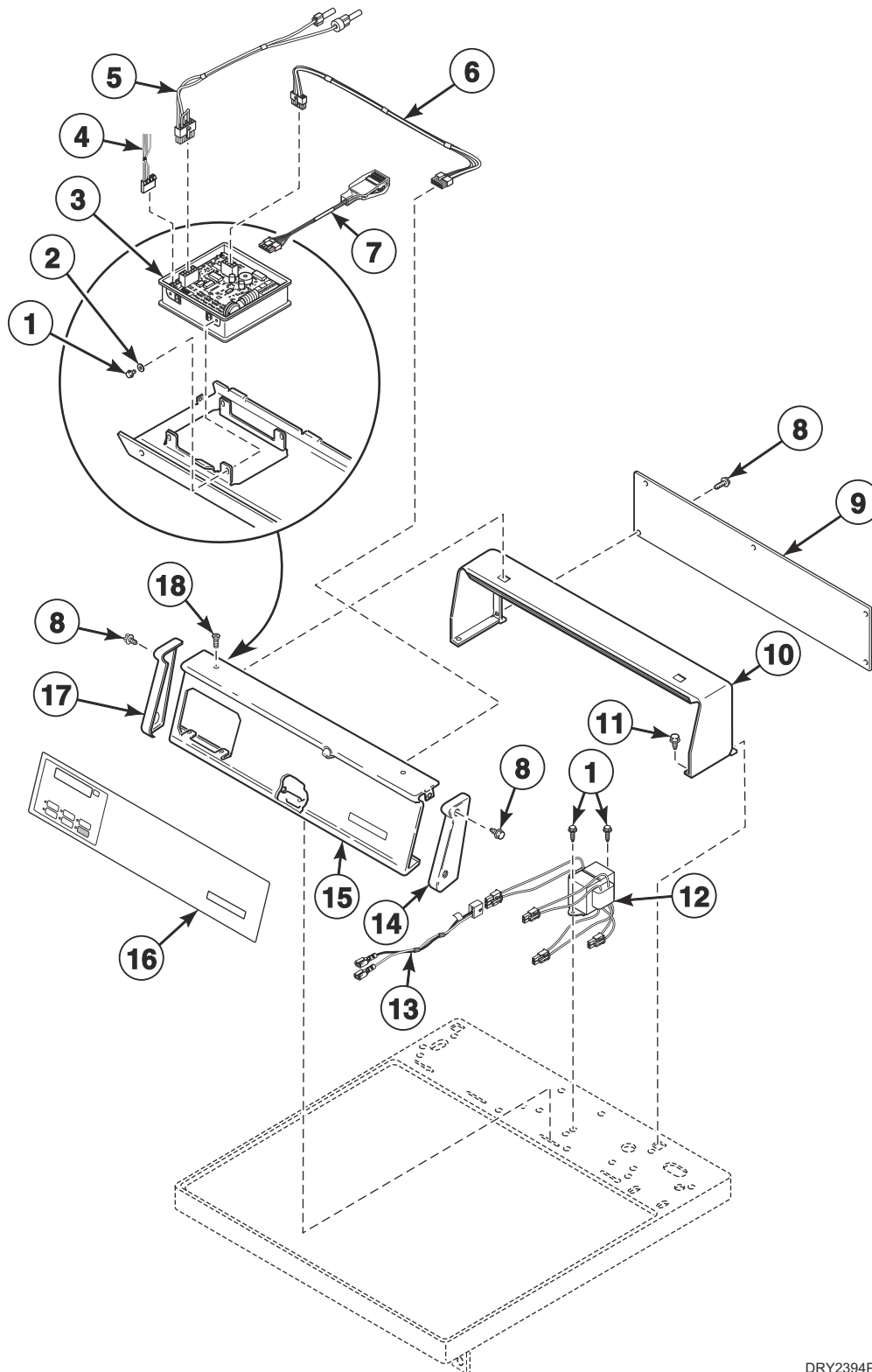


## Control Panel and Controls - Rear Control Coin Drop Models

REF	PART NO.	DESCRIPTION	COMMENTS
	905P3	Security Kit	Hood lock
	203328	Network Retrofit Kit	Wired
	203889	Wireless Network Kit	Through Serial No. 1902000001
	204689	Wireless Network Kit	Starting Serial No. 1902000001
	203346	USB IR Interface Kit	
	NK220	Network Controller Kit	Wired
	NK320	Ethernet Gateway Kit	Wireless
	NK330	USB Gateway Kit	Wireless
<b>1</b>	D503688	Screw	
<b>2</b>	200608	Washer	
<b>3</b>	D515807P	Control Assembly	
<b>4</b>	D511478	Central Pay Harness	
<b>5</b>	203361P	Machine ID Control Assembly	Model or serial number is required when ordering
<b>6</b>	202871	Dual Coin Harness Assembly	Coin drop
<b>7</b>	D501086	Screw	
<b>8</b>	804886	Hood Back Panel	
<b>9</b>	D502567W	Control Hood	White
<b>10</b>	M400017	Washer	
<b>11</b>	02916	Screw	
<b>12</b>	202757	Transformer	Models HDENERGS153CW01, HDENERGS173CW01, HDENXRGS153CW01, HDENXRGS173CW01, HDGNERGS113CW01, HDGNXRGS113CW01, SDENERGS153CW02, SDENERGS173CW02, SDENXRGS153CW02, SDENXRGS173CW02, SDGNERGS113CW02, SDGNXRGS113CW02, SDMNXRGS083JW01 and SDMNXRGS103JW01
<b>13</b>	D514071	Transformer Harness	Models HDENERGS153CW01, HDENERGS173CW01, HDENXRGS153CW01, HDENXRGS173CW01, SDENERGS153CW02, SDENERGS173CW02, SDENXRGS153CW02 and SDENXRGS173CW02
	804832	Harness	Models HDGNERGS113CW01, HDGNXRGS113CW01, SDGNERGS113CW02, SDGNXRGS113CW02, SDMNXRGS083JW01 and SDMNXRGS103JW01
<b>14</b>	D514367	Control Overlay	Models SDENERGS153CW02, SDENERGS173CW02, SDENXRGS153CW02, SDENXRGS173CW02, SDENXRGS433AW01, SDENXRGS433LW01, SDGNERGS113CW02, SDGNXRGS113CW02, SDGNXRGS303AW01, SDLNXRGS303LW01, SDMNXRGS083JW01 and SDMNXRGS103JW01
	D514485	Control Overlay	Models SDLNXRGS543NW23 and SDLNXRGS543PW01
	D514654	Control Overlay	Models HDENERGS153CW01, HDENERGS173CW01, HDENXRGS153CW01, HDENXRGS173CW01, HDGNERGS113CW01 and HDGNXRGS113CW01
<b>15</b>	D510067W	Control Panel	White
<b>16</b>	52864	Screw	Phillips head
	35528	Screw	Torx head
<b>17</b>	52566	Nut	

# Control Panel and Controls - Rear Control Card Models

Models HDENYRGS153CW01, HDENYRGS173CW01, HDGNYRGS113CW01, SDENYRGS153CW01, SDENYRGS173CW01, SDENYRGS303NW22, SDENYRGS303ZW01 and SDGNYRGS113CW01



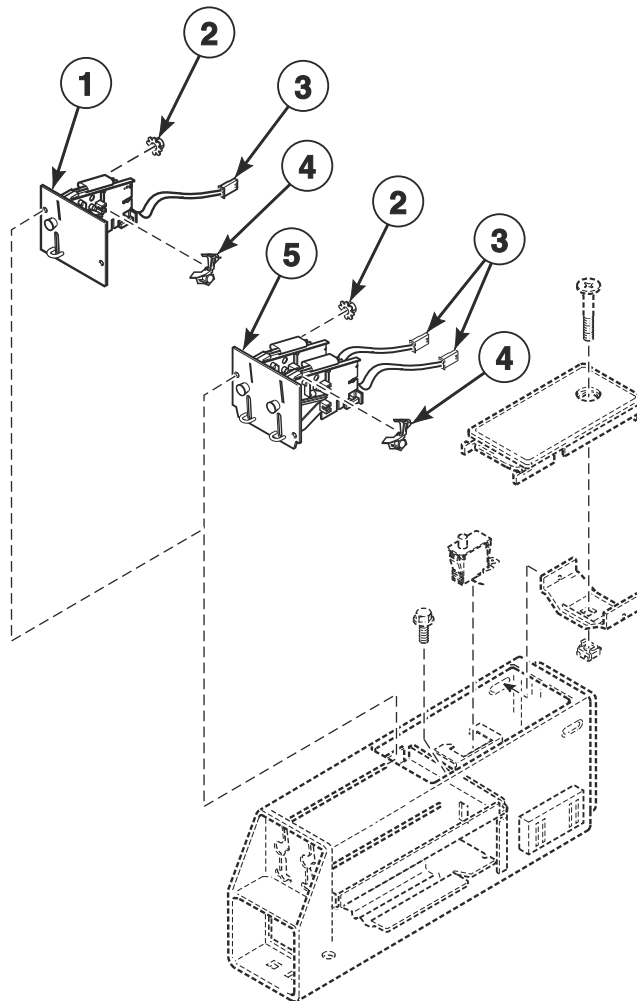
DRY2394P\_515203

## Control Panel and Controls - Rear Control Card Models

REF	PART NO.	DESCRIPTION	COMMENTS
	905P3	Security Kit	Hood lock
	203889	Wireless Network Kit	Through Serial No. 1902000001
	204689	Wireless Network Kit	Starting Serial No. 1902000001
	203328	Network Retrofit Kit	Wired
	203346	USB IR Interface Kit	
	NK220	Network Controller Kit	Wired
	NK320	Ethernet Gateway Kit	Wireless
	NK330	USB Gateway Kit	Wireless
<b>1</b>	D503688	Screw	
<b>2</b>	200608	Washer	
<b>3</b>	D515807P	Control Assembly	
<b>4</b>	D511478	Central Pay Harness	
<b>5</b>	202869	Wiring Harness Assembly	
<b>6</b>	800125P	Card Reader Wire Harness Assembly	
<b>7</b>	203361P	Machine ID Control Assembly	Model or serial number is required when ordering
<b>8</b>	D501086	Screw	
<b>9</b>	804884	Rear Panel	
<b>10</b>	D511253W	Control Hood	White
<b>11</b>	02916	Screw	
<b>12</b>	202758	Transformer	Models SDENYRGS303NW22 and SDENYRGS303ZW01
	202757	Transformer	All other models; Some models may have jumper wire attached to transformer. Discard jumper wire when replacing transformer
<b>13</b>	D514071	Transformer Harness	Models SDENYRGS303NW22 and SDENYRGS303ZW01
	D514073	Transformer Harness	Models HDENYRGS153CW01, HDENYRGS173CW01, SDENYRGS153CW01 and SDENYRGS173CW01
	804832	Harness	Models HDGNYRGS113CW01 and SDGNYRGS113CW01
<b>14</b>	210108W	End Cap	Right
<b>15</b>	D511055W	Control Panel	White
<b>16</b>	D514368	Control Overlay	Models SDENYRGS153CW01, SDENYRGS173CW01, SDENYRGS303NW22, SDENYRGS303ZW01 and SDGNYRGS113CW01
	D514655	Control Overlay	All other models
<b>17</b>	210109W	End Cap	Left
<b>18</b>	52864	Screw	Phillips head
	35528	Screw	Torx head

## Non-Electronic Coin Drop - Rear Control Models

Models HDENERGS153CW01, HDENERGS173CW01, HDENXRGS153CW01, HDENXRGS173CW01, HDGNERGS113CW01, HDGNXRGS113CW01, SDENERGS153CW02, SDENERGS173CW02, SDENXRGS153CW02, SDENXRGS173CW02, SDENXRGS433AW01, SDENXRGS433LW01, SDGNERGS113CW02, SDGNXRGS113CW02, SDGNXRGS303AW01, SDLNXRGS303LW01, SDLNXRGS543NW23, SDLNXRGS543PW01, SDMNXRGS083JW01 and SDMNXRGS103JW01



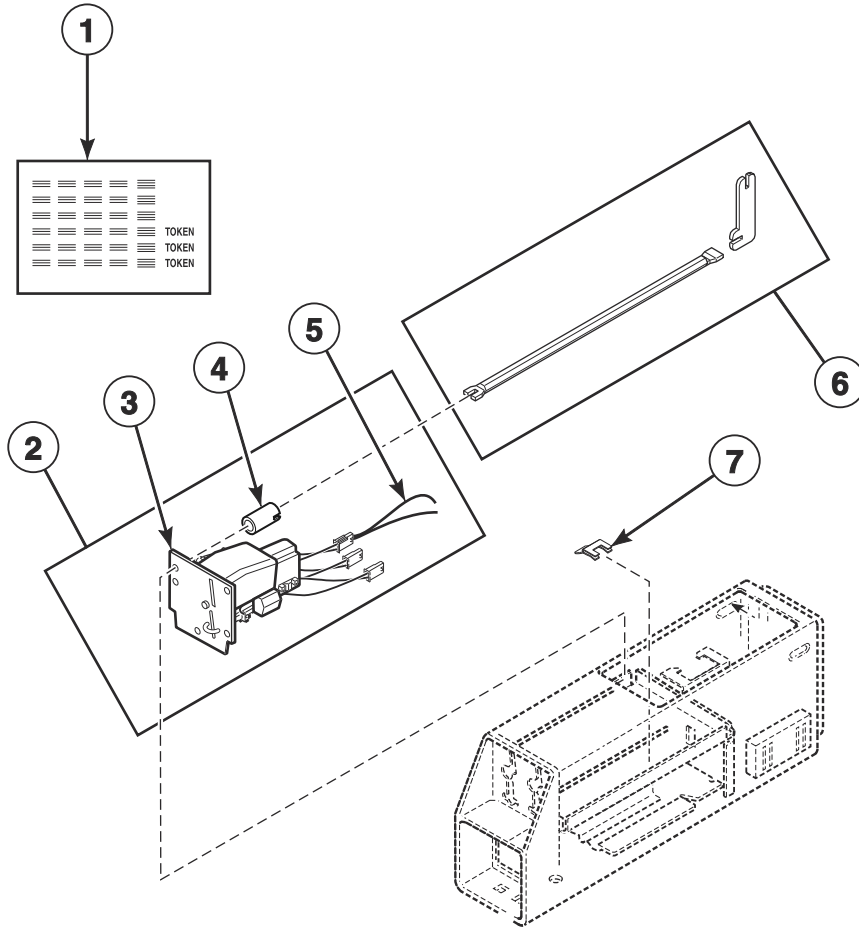
DRY2094P\_515203

## Non-Electronic Coin Drop - Rear Control Models

REF	PART NO.	DESCRIPTION	COMMENTS
1	38462P	Coin Drop Assembly	Token; 118-1 mzp; .880 diameter x .079 thick; Brass
	38463	Coin Drop Assembly	Token; 118-5 mzp; .990 diameter x .081 thick; Silver
	38464P	Coin Drop Assembly	Canada; .25
	38475	Coin Drop Assembly	Japan; 100 yen
	CK077	Coin Drop Kit	Taiwan; 10 NT
	70441601P	Coin Drop	U.S.; \$.25
	38963P	Coin Drop	Token 118-16 not available; Replacement for 38963P Coin Drop only
	CK114	Coin Drop Assembly	Singapore; Old 1.00
	CK123	Coin Drop Kit	Singapore; New 1.00
2	29786	Nut	
3	200674P	Opto Coupler	
4	201595P	Wire Guard	Anti-stringing security device; Add to coin drops beginning January 2005
5	70441602	Coin Drop Assembly	Canada; .25 and 1.00
	38467	Coin Drop Assembly	Australia; .20 and 1.00
	38472	Coin Drop Assembly	England; 20 pence and 1 pound
	38519	Coin Drop Assembly	Japan; 100 and 500 yen
	38521	Coin Drop Assembly	Korea; 100 and 500 won
	70482401	Coin Drop Assembly	New Zealand; 1.00 and 2.00
	39157	Coin Drop Assembly	Israel; 1 and 5 shekel

# Electronic Coin Drop - Rear Control Models

Models HDENERGS153CW01, HDENERGS173CW01, HDENXRGS153CW01, HDENXRGS173CW01, HDGNERGS113CW01, HDGNXRGS113CW01, SDENERGS153CW02, SDENERGS173CW02, SDENXRGS153CW02, SDENXRGS173CW02, SDENXRGS433AW01, SDENXRGS433LW01, SDGNERGS113CW02, SDGNXRGS113CW02, SDGNXRGS303AW01, SDLNXRGS303LW01, SDLNXRGS543NW23, SDLNXRGS543PW01, SDMNXRGS083JW01 and SDMNXRGS103JW01



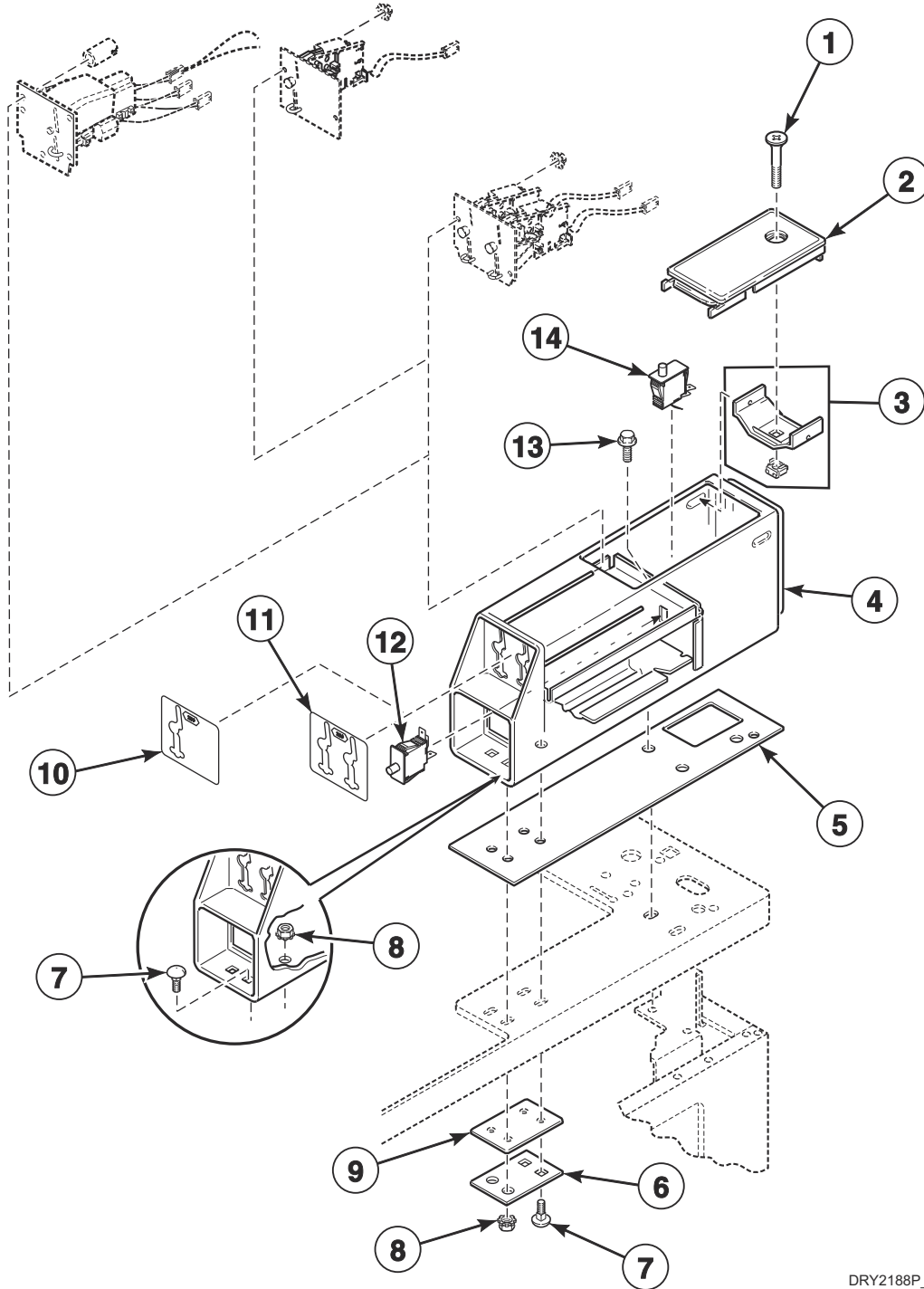
DRY2095P\_515203

## Electronic Coin Drop - Rear Control Models

REF	PART NO.	DESCRIPTION	COMMENTS
1	38725	Coin Identification Paper	For use with items 2 and 3
2	CK115	Electronic Coin Drop Kit	Includes items 3-5; United States and Canada coins
	CK099	Electronic Coin Drop Kit	Includes items 3-5; Australia, New Zealand, Hong Kong and South Korea coins
	CK100	Electronic Coin Drop Kit	Includes items 3-5; Euro and Great Britain coins
	CK101	Electronic Coin Drop Kit	Includes items 3-5; Euro, Denmark and Norway coins
	CK103	Electronic Coin Drop Kit	Includes items 3-5; Euro, Lithuania and Latvia coins
	CK106	Electronic Coin Drop Kit	Includes items 3-5; Malaysia, Russia, China and Singapore coins
	CK108	Electronic Coin Drop Kit	Includes items 3-5; South Africa coins
	CK109	Electronic Coin Drop Kit	Includes items 3-5; Euro coins
	CK110	Electronic Coin Drop Kit	Includes items 3-5; Mexico, Ecuador and United States coins
	CK113	Electronic Coin Drop Kit	Includes items 3-5; Japan and Taiwan coins
	CK116	Electronic Coin Drop Kit	Includes items 3-5; Malaysia and China coins
	CK117	Electronic Coin Drop Kit	Includes items 3-5; Russia coins
	CK118	Electronic Coin Drop Kit	Includes items 3-5; Philippine coins
	CK120	Electronic Coin Drop Kit	Includes items 3-5; Chile coins
CK121	Electronic Coin Drop Kit	Includes items 3-5; Singapore coins	
3	70294103P	Electronic Coin Drop Assembly	Euro and Great Britain coins
	70294104	Electronic Coin Drop Assembly	Euro, Denmark and Norway coins
	70294106	Electronic Coin Drop Assembly	Mexico, Ecuador and United States coins
	70294107	Electronic Coin Drop Assembly	Euro, Lithuania and Latvia coins
	70294109	Electronic Coin Drop Assembly	Malaysia, Russia, China and Singapore coins
	70294110	Electronic Coin Drop Assembly	South Africa coins
	70294111	Electronic Coin Drop Assembly	Euro coins
	70513311	Electronic Coin Drop Assembly	Malaysia and China coins
	70294117	Electronic Coin Drop Assembly	Russia coins
	70294120	Electronic Coin Drop Assembly	Chile coins
	70294121	Electronic Coin Drop Assembly	Singapore coins
4	201216	Nut	For use with items 2 and 3
5	201104	Coin Drop Wire Harness	For use with items 2 and 3
6	CK096	Mounting Tool Kit	For use with items 2 and 3
7	201572	Clip	For use with items 2 and 3

# Meter Case - Rear Control Coin Drop Models

Models HDENERGS153CW01, HDENERGS173CW01, HDENXRGS153CW01, HDENXRGS173CW01, HDGNERGS113CW01, HDGNXRGS113CW01, SDENERGS153CW02, SDENERGS173CW02, SDENXRGS153CW02, SDENXRGS173CW02, SDENXRGS433AW01, SDENXRGS433LW01, SDGNERGS113CW02, SDGNXRGS113CW02, SDGNXRGS303AW01, SDLNXRGS303LW01, SDLNXRGS543NW23, SDLNXRGS543PW01, SDMNXRGS083JW01 and SDMNXRGS103JW01



DRY2188P\_515203

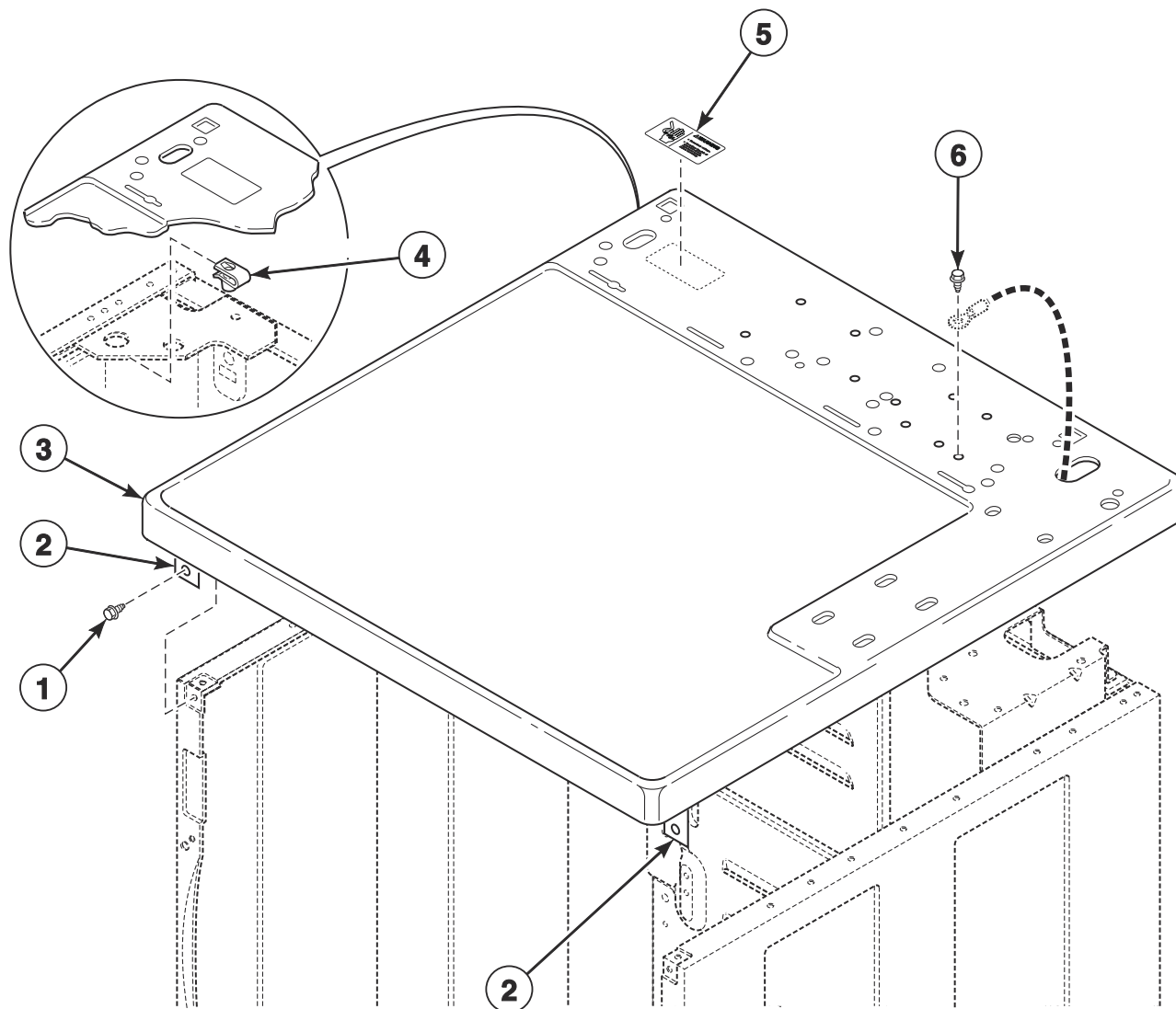


## Meter Case - Rear Control Coin Drop Models

REF	PART NO.	DESCRIPTION	COMMENTS
1	D503673	Screw	
2	39874WP	Service Door Assembly	White
3	204616	Meter Case Locking Bracket Kit	
4	802505W	Meter Case Assembly	White; For electronic coin drop; Models HDENERGS153CW01, HDENERGS173CW01 and HDGNERGS113CW01
	807401W	Meter Case Assembly Kit	Models SDENERGS153CW02, SDENERGS173CW02, SDENXRGs153CW02, SDENXRGs173CW02, SDGNERGS113CW02 and SDGNXRGs113CW02
	202877W	Meter Case Assembly	White; Standard capacity; All other models
	807401W	Meter Case Assembly Kit	White; High capacity; All other models
5	26354	Meter Case Gasket	
6	35525	Meter Case Lockdown Bracket	
7	203798	Bolt	
8	29786	Nut	
9	35526	Meter Case Bracket Gasket	
10	38717	Single Overlay	For non-electronic coin drops
	201091	Overlay	For electronic coin drops
11	39073	Dual Overlay	
12	D512973	Switch	Through Serial No. 1810000001
	70529301	Switch	Starting Serial No. 1810000001
13	36048	Screw	
14	D512973	Switch	Used through Serial No. 1810000001

## Cabinet Top - Rear Control Models

Models HDENERGS153CW01, HDENERGS173CW01, HDENXRGS153CW01, HDENXRGS173CW01, HDENYRGS153CW01, HDENYRGS173CW01, HDGNERGS113CW01, HDGNXRGS113CW01, HDGNYRGS113CW01, SDENERGS153CW02, SDENERGS173CW02, SDENXRGS153CW02, SDENXRGS173CW02, SDENXRGS433AW01, SDENXRGS433LW01, SDENYRGS153CW01, SDENYRGS173CW01, SDENYRGS303NW22, SDENYRGS303ZW01, SDGNERGS113CW02, SDGNXRGS113CW02, SDGNXRGS303AW01, SDGNYRGS113CW01, SDLNXRGS303LW01, SDLNXRGS543NW23, SDLNXRGS543PW01, SDMNXRGS083JW01 and SDMNXRGS103JW01



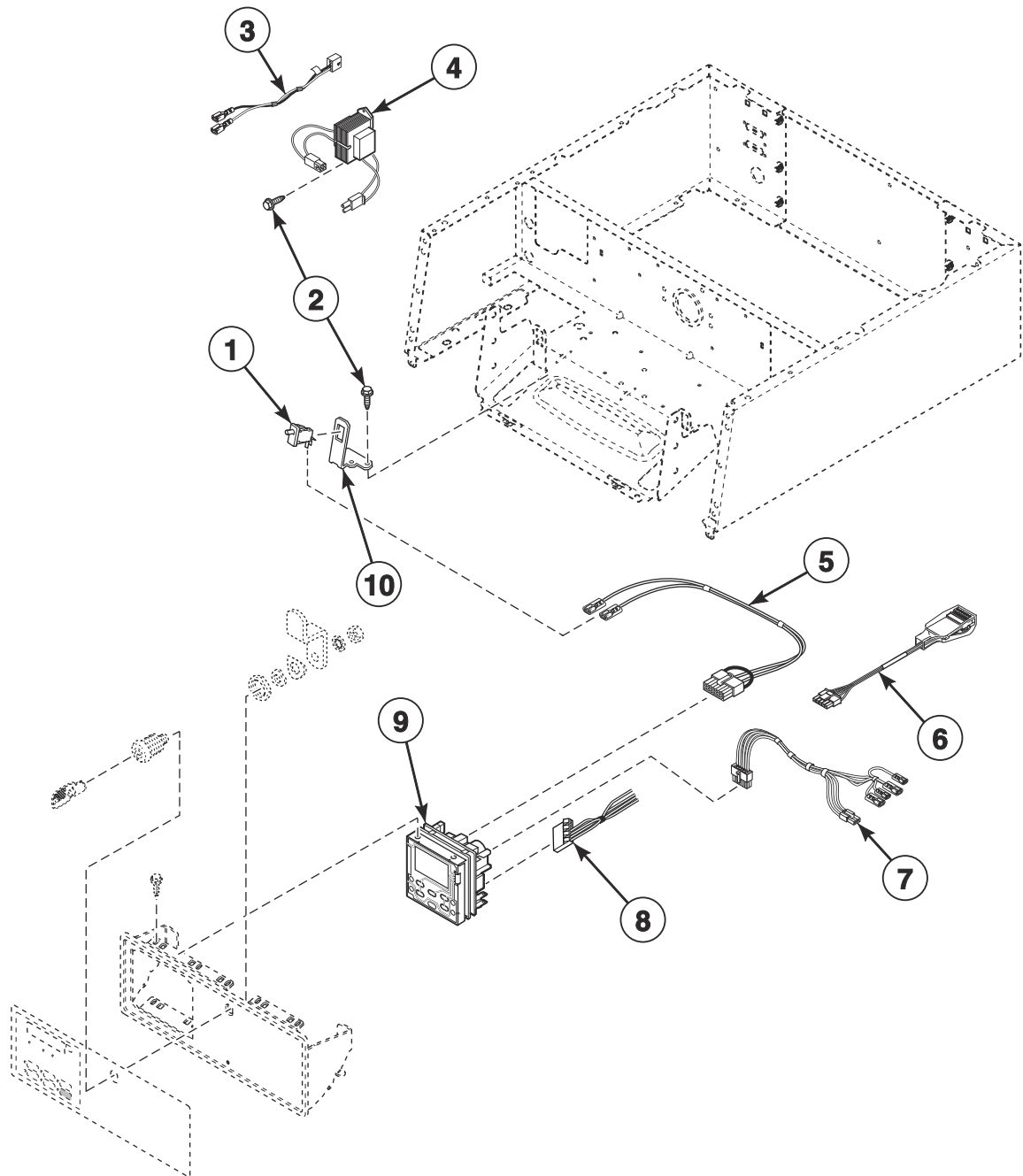
DRY2181P\_515203

## Cabinet Top - Rear Control Models

REF	PART NO.	DESCRIPTION	COMMENTS
1	D503688	Screw	
2	D510146	Bracket	
3	D511530WP	Top Panel Kit	White; Models HDENYRGS153CW01, HDENYRGS173CW01, HDGNYRGS113CW01, SDENYRGS303NW22, SDENYRGS303ZW01 and SDGNYRGS113CW01
	D511527WP	Top Kit	White; All other models
4	27222	Nut	
5	D505281	Disconnect Power Warning Label	English
	F8614201	Shock Warning Label	Icon
	D500316	Warning Label	English/French
6	D503688	Screw	

# Control Panel and Controls - 10 Degree Front Control Models (Drawing 1 of 2)

Models BD3NXAGS403UW01, BDGNXAGS303EW01, HDENEAGS153CW01, HDENEAGS173CW01, HDENXAGS153CW01, HDENXAGS173CN01, HDENXAGS173CW01, HDENXAGS543DW01, HDENXAGW173CN01, HDENYAGS153CW01, HDENYAGS173CW01, HDGNEAGS113CW01, HDGNXAGS113CN01, HDGNXAGS113CW01, HDGNXAGS123DW01, HDGNXAGS543DW01, HDGNXAGW113CN01, HDGNYAGS113CW01, JDEJEAGW303EW01, JDEJGAGW303EW01, JDEJGASW303EN01, JDEJRAGW303EW01, JDEJXAGW303EW01, JDGJEAGW303EW01, JDGJGAGW303EW01, JDGJGASW303EN01, JDGJRAGW303EW01, JDGJXAGW173CW01, ND3NXASS403UN01, NDENXAGS173MW01, NDENXAGS303UW01, NDGNXAGS113MW01, NDGNXAGS303EW01, NDGNXAGS303ZW38, PD3JXAGS403UG01, PDEJXAGS434AG01, PDGJXAGS303UG01, PDGJXAGS304AG01, PDGJXAGS543ZG01, SDENEAGS153CW01, SDENEAGS173CW01, SDENXAGS153CW01, SDENXAGS173CN01, SDENXAGS173CW01, SDENXAGS433AW01, SDENXAGS543DW01, SDENXAGS543RW01, SDENYAGS153CW01, SDENYAGS173CW01, SDEWXAGS433LW01, SDGNEAGS113CW01, SDGNXAGS113CN01, SDGNXAGS113CW01, SDGNXAGS123DW01, SDGNXAGS303AW01, SDGNXAGS543DW01 and SDGNYAGS113CW01



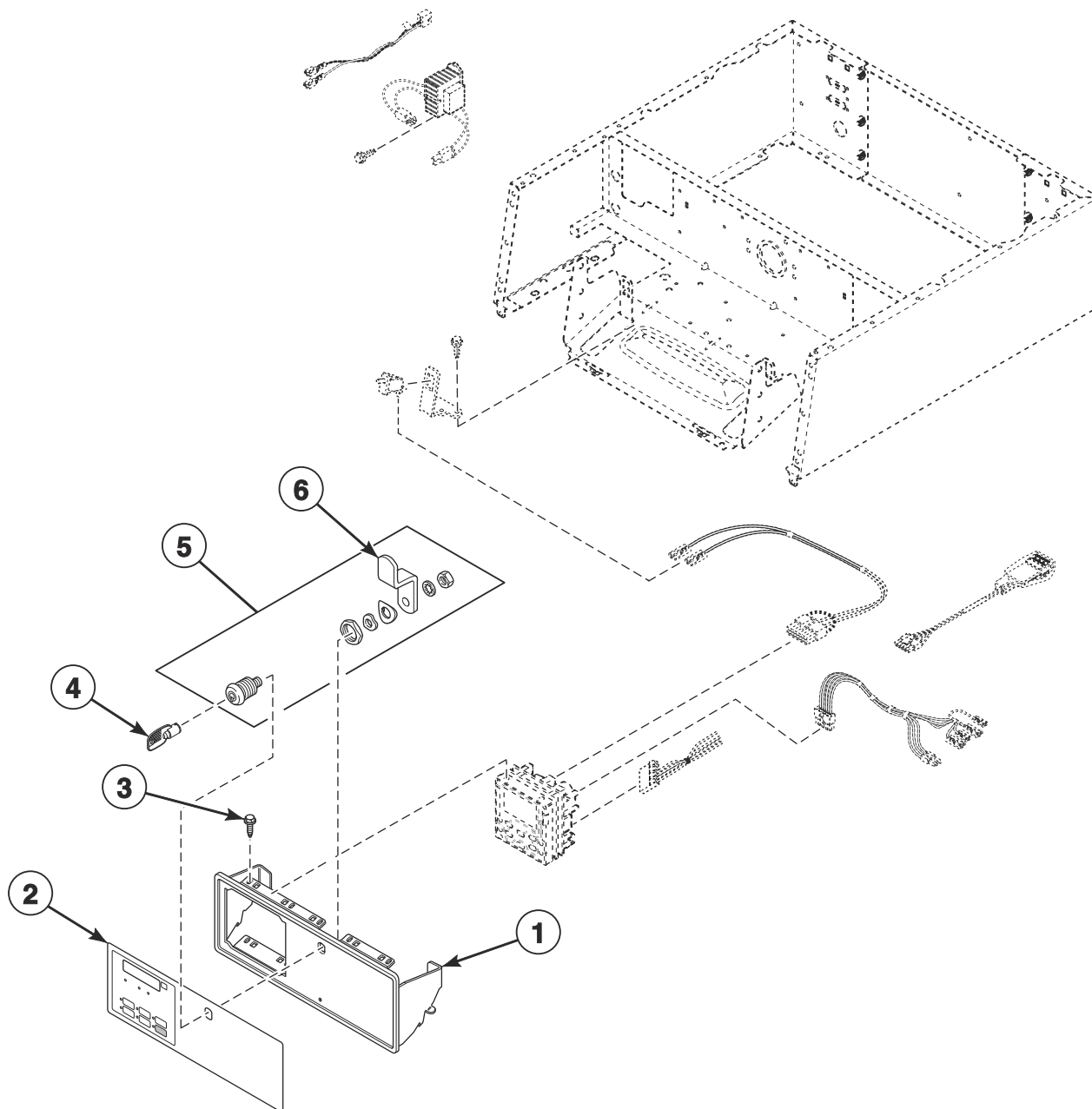
DRY2395P\_515203

## Control Panel and Controls - 10 Degree Front Control Models (Drawing 1 of 2)

REF	PART NO.	DESCRIPTION	COMMENTS
	203346	USB IR Interface Kit	
	203889	Wireless Network Kit	Through Serial No. 1902000001
	204689	Wireless Network Kit	Starting Serial No. 1902000001
	203328	Network Retrofit Kit	Wired
	NK220	Network Controller Kit	Wired
	NK320	Ethernet Gateway Kit	Wireless
	NK330	USB Gateway Kit	Wireless
<b>1</b>	D512973	Switch	Used through Serial No. 1810000001
<b>2</b>	D503661	Screw	
<b>3</b>	805428	Transformer Harness	Model JDGJRAGW303EW01
	D514069	Transformer Harness	Models JDEJEAGW303EW01, JDEJRAGW303EW01, JDEJXAGW303EW01 and JDGJRAGW303EW01
	D514072	Transformer Harness	Models HDENXAGS173CN01, HDENXAGS153CW01, HDENXAGS173CW01, HDENYAGS153CW01, HDENYAGS173CW01, SDENXAGS153CW01, SDENXAGS173CN01, SDENXAGS173CW01, SDENYAGS153CW01 and SDENYAGS173CW01
	804795	Transformer Harness	Models HDGNXAGS113CN01, HDGNXAGS113CW01, HDGNYAGS113CW01, SDGNEAGS113CW01, SDGNXAGS113CN01, SDGNXAGS113CW01 and SDGNYAGS113CW01
<b>4</b>	202757	Transformer	Models HDENXAGS173CN01, HDENXAGS153CW01, HDENXAGS173CW01, HDENYAGS153CW01, HDENYAGS173CW01, HDGNXAGS113CN01, HDGNXAGS113CW01, HDGNYAGS113CW01, SDENXAGS153CW01, SDENXAGS173CN01, SDENXAGS173CW01, SDENYAGS153CW01, SDENYAGS173CW01 and SDGNYAGS113CW01
	202758	Transformer	Models JDEJEAGW303EW01, JDEJGAGW303EW01, JDEJGASW303EN01, JDEJRAGW303EW01, JDEJXAGW303EW01, JDGJEAGW303EW01, JDGJGAGW303EW01, JDGJGASW303EN01, JDGJRAGW303EW01 and JDGJXAGW303EW01
<b>5</b>	202868	Wiring Harness Assembly	Models HDENYAGS153CW01, HDENYAGS173CW01, HDGNYAGS113CW01, JDEJGAGW303EW01, JDEJGASW303EN01, JDEJRAGW303EW01, JDGJGAGW303EW01, JDGJGASW303EN01, JDGJRAGW303EW01, SDENYAGS153CW01, SDENYAGS173CW01 and SDGNYAGS113CW01
<b>6</b>	203361P	Machine ID Control Assembly	Model or serial number is required when ordering
<b>7</b>	202871	Dual Coin Harness Assembly	Coin drop; All models except HDENYAGS153CW01, HDENYAGS173CW01, HDGNYAGS113CW01, JDEJGAGW303EW01, JDEJGASW303EN01, JDGJGAGW303EW01, JDGJGASW303EN01, SDENYAGS153CW01, SDENYAGS173CW01 and SDGNYAGS113CW01
<b>8</b>	D511478	Central Pay Harness	
<b>9</b>	D514139P	Control Assembly	Models BD3NXAGS403UW01 and BDGNXAGS303EW01
	D515809P	Control Assembly	Models PD3JXAGS403UG01, PDEJXAGS434AG01, PDGJXAGS303UG01, PDGJXAGS304AG01 and PDGJXAGS543ZG01
	D515807P	Control Assembly	All other models
<b>10</b>	800379	Audit Switch Bracket	

# Control Panel and Controls - 10 Degree Front Control Models (Drawing 2 of 2)

Models BD3NXAGS403UW01, BDGNXAGS303EW01, HDENEAGS153CW01, HDENEAGS173CW01, HDENXAGS153CW01, HDENXAGS173CN01, HDENXAGS173CW01, HDENXAGS543DW01, HDENXAGW173CN01, HDENYAGS153CW01, HDENYAGS173CW01, HDGNEAGS113CW01, HDGNXAGS113CN01, HDGNXAGS113CW01, HDGNXAGS123DW01, HDGNXAGS543DW01, HDGNXAGW113CN01, HDGNYAGS113CW01, JDEJEAGW303EW01, JDEJGAGW303EW01, JDEJGASW303EN01, JDEJRAGW303EW01, JDEJXAGW303EW01, JDGJEAGW303EW01, JDGJGAGW303EW01, JDGJGASW303EN01, JDGJRAGW303EW01, JDGJXAGW303EW01, ND3NXASS403UN01, NDENXAGS173MW01, NDENXAGS303UW01, NDGNXAGS113MW01, NDGNXAGS303EW01, NDGNXAGS303ZW38, PD3JXAGS403UG01, PDEJXAGS434AG01, PDGJXAGS303UG01, PDGJXAGS304AG01, PDGJXAGS543ZG01, SDENEAGS153CW01, SDENEAGS173CW01, SDENXAGS153CW01, SDENXAGS173CN01, SDENXAGS173CW01, SDENXAGS433AW01, SDENXAGS543DW01, SDENXAGS543RW01, SDENYAGS153CW01, SDENYAGS173CW01, SDEWXAGS433LW01, SDGNEAGS113CW01, SDGNXAGS113CN01, SDGNXAGS113CW01, SDGNXAGS123DW01, SDGNXAGS303AW01, SDGNXAGS543DW01 and SDGNYAGS113CW01



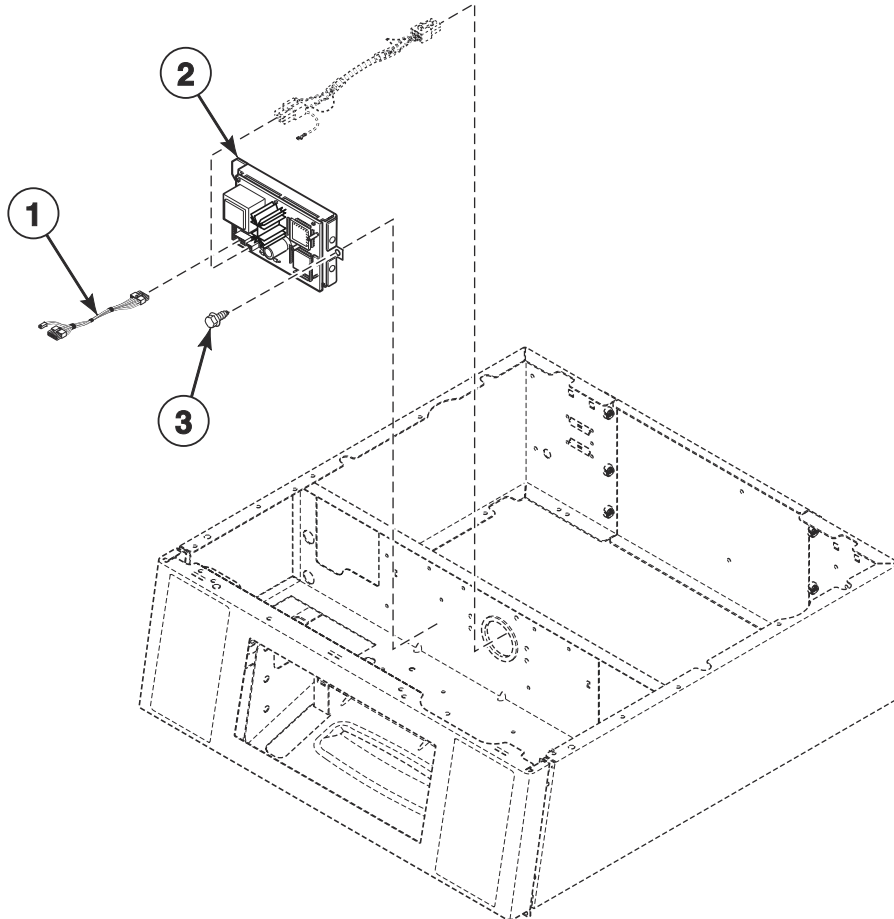
DRY2395PA\_515203

## Control Panel and Controls - 10 Degree Front Control Models (Drawing 2 of 2)

REF	PART NO.	DESCRIPTION	COMMENTS
	203346	USB IR Interface Kit	
	203889	Wireless Network Kit	Through Serial No. 1902000001
	204689	Wireless Network Kit	Starting Serial No. 1902000001
	203328	Network Retrofit Kit	Wired
	NK220	Network Controller Kit	Wired
	NK320	Ethernet Gateway Kit	Wireless
	NK330	USB Gateway Kit	Wireless
<b>1</b>	D513777B	Control Panel and Bracket Assembly	Black; Models HDENXAGS173CN01, HDENXAGW173CN01, HDGNXAGS113CN01, HDGNXAGW113CN01, JDEJEAGW303EW01, JDEJGAGW303EW01, JDEJGASW303EN01, JDEJRAGW303EW01, JDEJXAGW303EW01, JDGJEAGW303EW01, JDGJGAGW303EW01, JDGJGASW303EN01, JDGJRAGW303EW01, JDGJXAGW303EW01, ND3NXASS403UN01, SDENXAGS173CN01 and SDGNXAGS113CN01
	D513777DG	Control Panel and Bracket Assembly	Dark gray; Models PD3JXAGS403UG01, PDEJXAGS434AG01, PDGJXAGS303UG01, PDGJXAGS304AG01 and PDGJXAGS543ZG01
	D513777W	Control Panel and Bracket Assembly	White; All other models
<b>2</b>	D514373	Control Overlay	Models BD3NXAGS403UW01 and BDGNXAGS303EW01
	D514657	Control Overlay	Models ND3NXASS403UN01, NDENXAGS303UW01 and NDGNXAGS303EW01
	D514369	Control Overlay	Models SDENEAGS153CW01, SDENEAGS173CW01, SDENXAGS153CW01, SDENXAGS173CN01, SDENXAGS173CW01, SDENXAGS433AW01, SDENXAGS543DW01, SDENXAGS543RW01, SDENYAGS153CW01, SDENYAGS173CW01, SDEWXAGS433LW01, SDGNEAGS113CW01, SDGNXAGS113CN01, SDGNXAGS113CW01, SDGNXAGS123DW01, SDGNXAGS303AW01, SDGNXAGS543DW01 and SDGNYAGS113CW01
	D514479	Control Overlay	Models HDGNXAGS123DW01 and HDGNXAGS543DW01
	D514659	Control Overlay	Models JDEJEAGW303EW01, JDEJRAGW303EW01, JDEJXAGW303EW01, JDGJEAGW303EW01, JDGJRAGW303EW01 and JDGJXAGW303EW01
	D514926	Control Overlay	Models PD3JXAGS403UG01, PDGJXAGS303UG01 and PDGJXAGS543ZG01
	D515415	Control Overlay	Models JDEJGAGW303EW01, JDEJGASW303EN01, JDGJGAGW303EW01 and JDGJGASW303EN01
	D515652	Control Overlay	Models PDEJXAGS434AG01 and PDGJXAGS304AG01
	D517425	Control Overlay	Models NDENXAGS173MW01, NDGNXAGS113MW01 and NDGNXAGS303ZW38
	D514370	Control Overlay	All other models
<b>3</b>	D501524	Screw	
<b>4</b>	54612	Key	800
<b>5</b>	27260P	Lock Kit	Includes item 4
<b>6</b>	804338	Lock Cam	

# Network Board Assembly

Model SDEWXAGS433LW01



SWD1288P\_515203

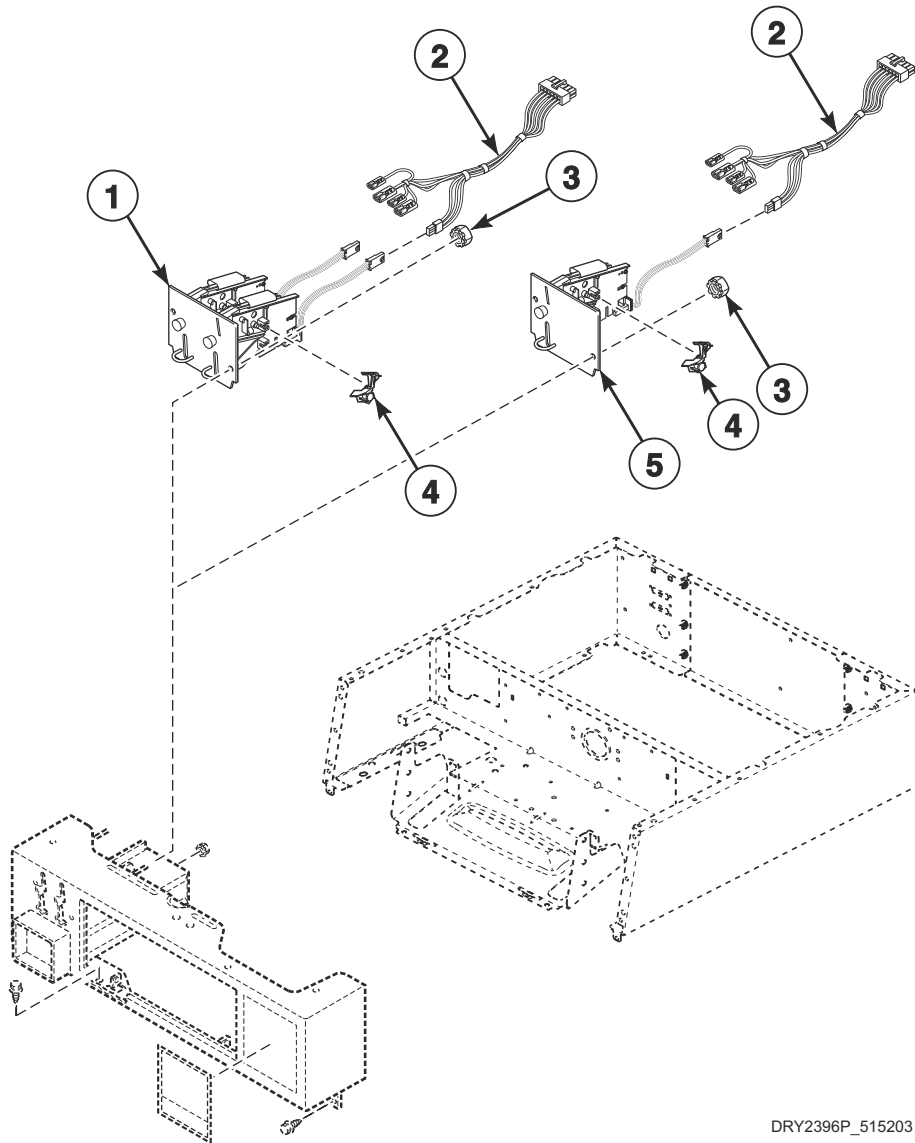


# Network Board Assembly

REF	PART NO.	DESCRIPTION	COMMENTS
1	F8536002	Wireless Network Board Harness	Through Serial No. 1902000001
	F8674006	Wireless Network Harness	Starting Serial No. 1902000001
2	203889	Wireless Network Kit	Through Serial No. 1902000001
	807211	Wireless Network Control Assembly	Starting Serial No. 1902000001
3	D503661	Screw	

# Non-Electronic Coin Drop - Front Control Models

Models BD3NXAGS403UW01, BDGNXAGS303EW01, HDENEAGS153CW01, HDENEAGS173CW01, HDENXAGS153CW01, HDENXAGS173CN01, HDENXAGS173CW01, HDENXAGS543DW01, HDENXAGW173CN01, HDGNEAGS113CW01, HDGNXAGS113CN01, HDGNXAGS113CW01, HDGNXAGS123DW01, HDGNXAGS543DW01, HDGNXAGW113CN01, JDEJEAGW303EW01, JDEJRAGW303EW01, JDEJXAGW303EW01, JDGJEAGW303EW01, JDGJRAGW303EW01, JDGJXAGW303EW01, ND3NXASS403UN01, NDENXAGS173MW01, NDENXAGS303UW01, NDGNXAGS113MW01, NDGNXAGS303EW01, NDGNXAGS303ZW38, PD3JXAGS403UG01, PDEJXAGS434AG01, PDGJXAGS303UG01, PDGJXAGS304AG01, PDGJXAGS543ZG01, SDENEAGS153CW01, SDENEAGS173CW01, SDENXAGS153CW01, SDENXAGS173CN01, SDENXAGS173CW01, SDENXAGS433AW01, SDENXAGS543DW01, SDENXAGS543RW01, SDEWXAGS433LW01, SDGNEAGS113CW01, SDGNXAGS113CN01, SDGNXAGS113CW01, SDGNXAGS123DW01, SDGNXAGS303AW01 and SDGNXAGS543DW01



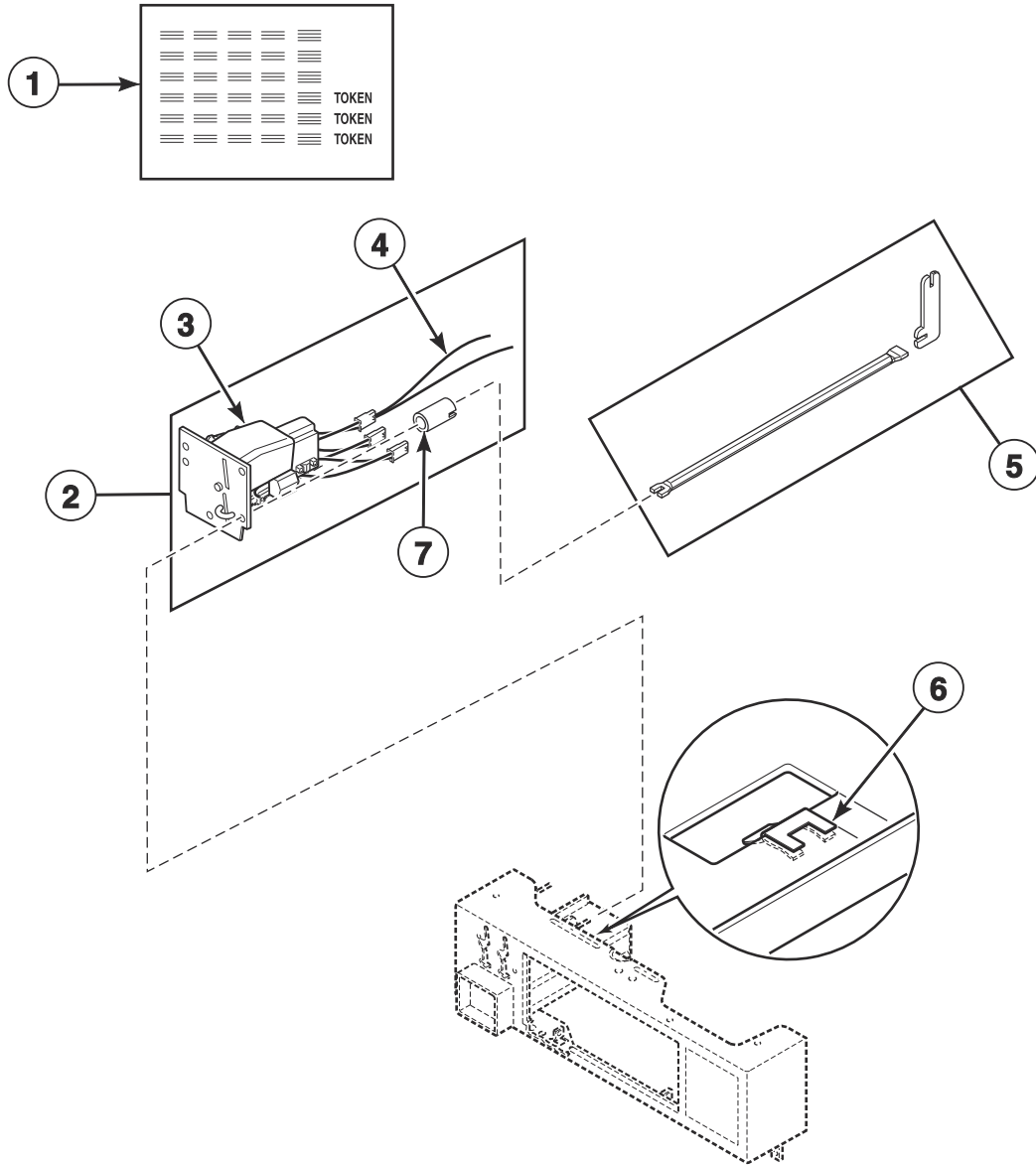
DRY2396P\_515203

## Non-Electronic Coin Drop - Front Control Models

REF	PART NO.	DESCRIPTION	COMMENTS
1	70441602	Coin Drop Assembly	Canada; .25 and 1.00
	38467	Coin Drop Assembly	Australia; .20 and 1.00
	38472	Coin Drop Assembly	England; 20 pence and 1 pound
	38519	Coin Drop Assembly	Japan; 100 and 500 yen
	38521	Coin Drop Assembly	Korea; 100 and 500 won
	70482401	Coin Drop Assembly	New Zealand; 1.00 and 2.00
	39157	Coin Drop Assembly	Israel; 1 and 5 shekel
2	802905	Harness Assembly	Coin drop
3	29786	Nut	
4	201595P	Wire Guard	Anti-stringing security device
5	38462P	Coin Drop Assembly	Token; 118-1 mzp; .880 diameter x .079 thick; Brass
	38463	Coin Drop Assembly	Token; 118-5 mzp; .990 diameter x .081 thick; Silver
	38464P	Coin Drop Assembly	Canada; .25
	38475	Coin Drop Assembly	Japan; 100 yen
	CK077	Coin Drop Kit	Taiwan; 10 NT
	70441601P	Coin Drop	U.S.; \$.25
	38963P	Coin Drop	Token 118-16 not available; Replacement for 38963P Coin Drop only
	CK114	Coin Drop Assembly	Singapore; Old 1.00
	CK123	Coin Drop Kit	Singapore; New 1.00

# Electronic Coin Drop - Front Control Models

Models BD3NXAGS403UW01, BDGNXAGS303EW01, HDENEAGS153CW01, HDENEAGS173CW01, HDENXAGS153CW01, HDENXAGS173CN01, HDENXAGS173CW01, HDENXAGS543DW01, HDENXAGW173CN01, HDGNEAGS113CW01, HDGNXAGS113CN01, HDGNXAGS113CW01, HDGNXAGS123DW01, HDGNXAGS543DW01, HDGNXAGW113CN01, JDEJEAGW303EW01, JDGJEAGW303EW01, ND3NXASS403UN01, NDENXAGS173MW01, NDENXAGS303UW01, NDGNXAGS113MW01, NDGNXAGS303EW01, NDGNXAGS303ZW38, PD3JXAGS403UG01, PDEJXAGS434AG01, PDGJXAGS303UG01, PDGJXAGS304AG01, PDGJXAGS543ZG01, SDENEAGS153CW01, SDENEAGS173CW01, SDENXAGS153CW01, SDENXAGS173CN01, SDENXAGS173CW01, SDENXAGS433AW01, SDENXAGS543DW01, SDENXAGS543RW01, SDEWXAGS433LW01, SDGNEAGS113CW01, SDGNXAGS113CN01, SDGNXAGS113CW01, SDGNXAGS123DW01, SDGNXAGS303AW01 and SDGNXAGS543DW01



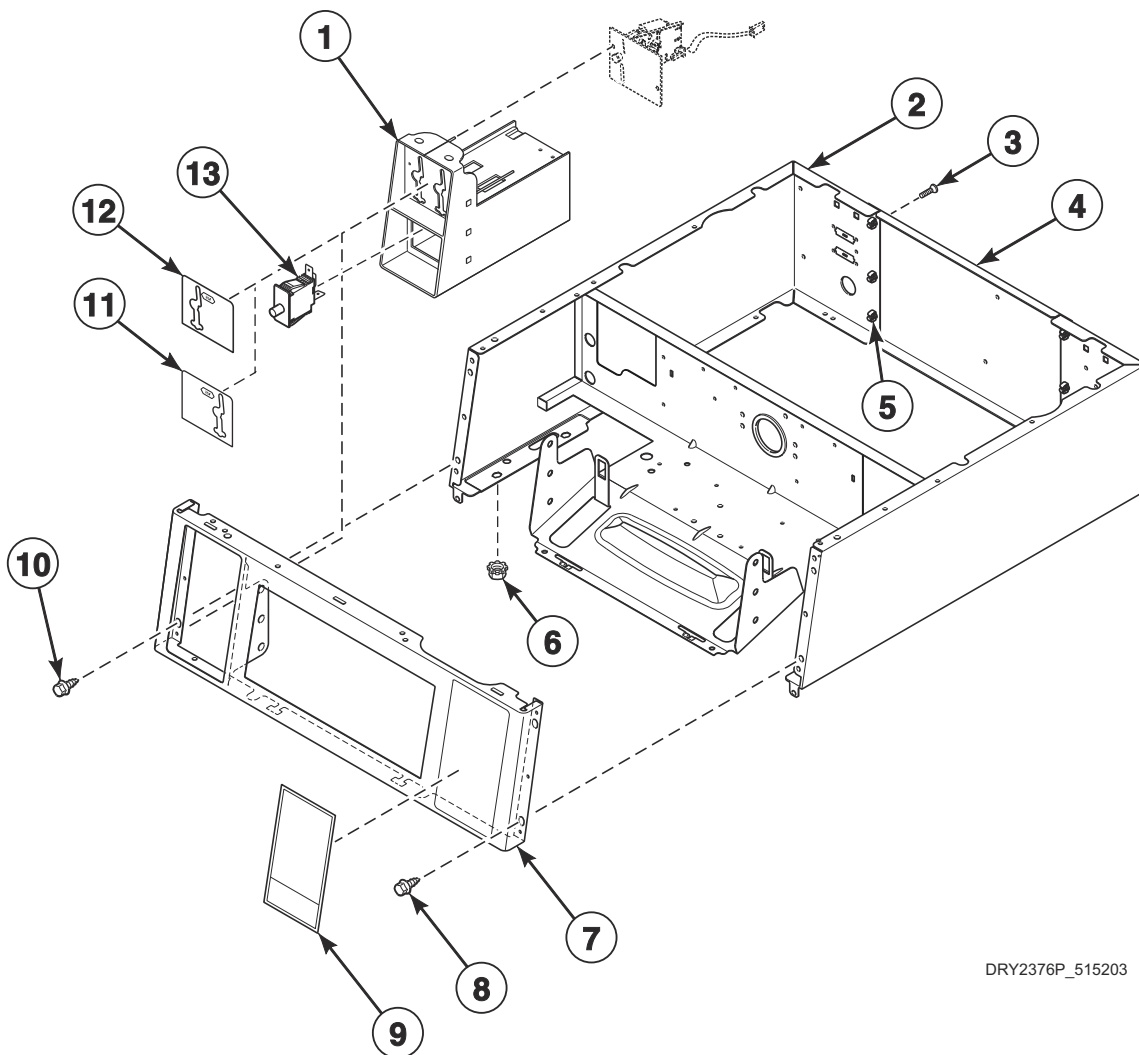
DRY2183P\_515203

## Electronic Coin Drop - Front Control Models

REF	PART NO.	DESCRIPTION	COMMENTS
1	38725	Coin Identification Paper	For use with items 2 and 3
2	CK115	Electronic Coin Drop Kit	Includes items 3, 4 and 7; United States and Canada coins
	CK099	Electronic Coin Drop Kit	Includes items 3, 4 and 7; Australia, New Zealand, Hong Kong and South Korea coins
	CK100	Electronic Coin Drop Kit	Includes items 3, 4 and 7; Euro and Great Britain coins
	CK101	Electronic Coin Drop Kit	Includes items 3, 4 and 7; Euro, Denmark and Norway coins
	CK103	Electronic Coin Drop Kit	Includes items 3, 4 and 7; Euro, Lithuania and Latvia coins
	CK106	Electronic Coin Drop Kit	Includes items 3, 4 and 7; Malaysia, Russia, China and Singapore coins
	CK108	Electronic Coin Drop Kit	Includes items 3, 4 and 7; South Africa coins
	CK109	Electronic Coin Drop Kit	Includes items 3, 4 and 7; Euro coins
	CK110	Electronic Coin Drop Kit	Includes items 3, 4 and 7; Mexico, Ecuador and United States coins
	CK113	Electronic Coin Drop Kit	Includes items 3, 4 and 7; Japan and Taiwan coins
	CK116	Electronic Coin Drop Kit	Includes items 3, 4 and 7; Malaysia and China coins
	CK117	Electronic Coin Drop Kit	Includes items 3, 4 and 7; Russia coins
	CK118	Electronic Coin Drop Kit	Includes items 3, 4 and 7; Philippine coins
	CK120	Electronic Coin Drop Kit	Includes items 3, 4 and 7; Chile coins
	CK121	Electronic Coin Drop Kit	Includes items 3, 4 and 7; Singapore coins
3	70294103P	Electronic Coin Drop Assembly	Euro and Great Britain coins
	70294104	Electronic Coin Drop Assembly	Euro, Denmark and Norway coins
	70294106	Electronic Coin Drop Assembly	Mexico, Ecuador and United States coins
	70294107	Electronic Coin Drop Assembly	Euro, Lithuania and Latvia coins
	70294109	Electronic Coin Drop Assembly	Malaysia, Russia, China and Singapore coins
	70294110	Electronic Coin Drop Assembly	South Africa coins
	70294111	Electronic Coin Drop Assembly	Euro coins
	70294122	Electronic Coin Drop Assembly	Euro, Great Britain and token
	70513311	Electronic Coin Drop Assembly	Malaysia and China coins
	70294117	Electronic Coin Drop Assembly	Russia coins
	70294120	Electronic Coin Drop Assembly	Chile coins
	70294121	Electronic Coin Drop Assembly	Singapore coins
4	201104	Coin Drop Wire Harness	For use with items 2 and 3
5	CK096	Mounting Tool Kit	For use with items 2 and 3
6	201572	Clip	For use with items 2 and 3
7	29786	Nut	

# Control Cabinet Controls - 10 Degree Front Control Models (Drawing 1 of 2)

Models BD3NXAGS403UW01, BDGNXAGS303EW01, HDENEAGS153CW01, HDENEAGS173CW01, HDENXAGS153CW01, HDENXAGS173CN01, HDENXAGS173CW01, HDENXAGS543DW01, HDENXAGW173CN01, HDGNEAGS113CW01, HDGNXAGS113CN01, HDGNXAGS113CW01, HDGNXAGS123DW01, HDGNXAGS543DW01, HDGNXAGW113CN01, JDEJEAGW303EW01, JDEJGAGW303EW01, JDEJGASW303EN01, JDEJRAGW303EW01, JDEJXAGW303EW01, JDGJEAGW303EW01, JDGJGAGW303EW01, JDGJGASW303EN01, JDGJRAGW303EW01, JDGJXAGW303EW01, ND3NXASS403UN01, NDENXAGS173MW01, NDENXAGS303UW01, NDGNXAGS113MW01, NDGNXAGS303EW01, NDGNXAGS303ZW38, PD3JXAGS403UG01, PDEJXAGS434AG01, PDGJXAGS303UG01, PDGJXAGS304AG01, PDGJXAGS543ZG01, SDENEAGS153CW01, SDENEAGS173CW01, SDENXAGS153CW01, SDENXAGS173CN01, SDENXAGS173CW01, SDENXAGS433AW01, SDENXAGS543DW01, SDENXAGS543RW01, SDEWXAGS433LW01, SDGNEAGS113CW01, SDGNXAGS113CN01, SDGNXAGS113CW01, SDGNXAGS123DW01, SDGNXAGS303AW01 and SDGNXAGS543DW01



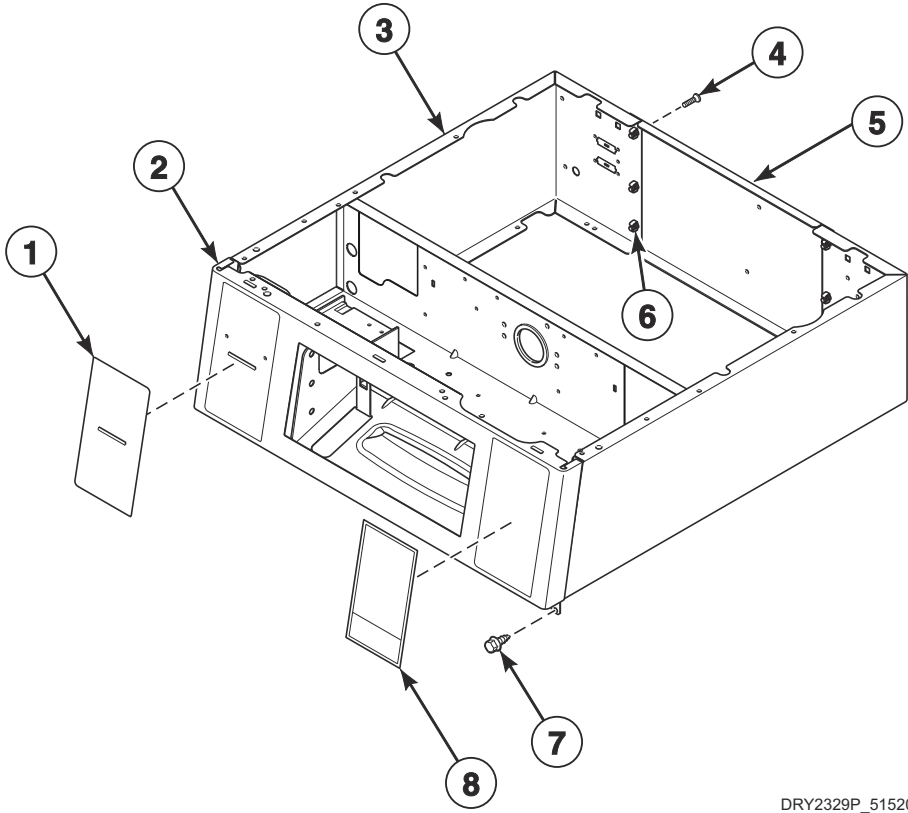
DRY2376P\_515203

## Control Cabinet Controls - 10 Degree Front Control Models (Drawing 1 of 2)

REF	PART NO.	DESCRIPTION	COMMENTS	
1	807396B	Meter Case Assembly	Black; Requires high capacity coin vault; Models HDENXAGS173CN01, HDENXAGW173CN01, HDGNXAGS113CN01, HDGNXAGW113CN01, JDEJEAGW303EW01, JDEJGAGW303EW01, JDEJGASW303EN01, JDEJRAGW303EW01, JDEJXAGW303EW01, JDGJEAGW303EW01, JDGJGAGW303EW01, JDGJGASW303EN01, JDGJRAGW303EW01, JDGJXAGW303EW01, ND3NXASS403UN01, SDENXAGS173CN01 and SDGNXAGS113CN01	
	807254DG	Meter Case Assembly	Dark gray; Requires high capacity coin vault; Models PD3JXAGS403UG01, PDEJXAGS434AG01, PDGJXAGS303UG01, PDGJXAGS304AG01 and PDGJXAGS543ZG01	
	807396W	Meter Case Assembly	White; Requires high capacity coin vault; All other models	
2	804104B	Wrapper Assembly	Black; Models HDENXAGS173CN01, HDENXAGW173CN01, HDGNXAGS113CN01, HDGNXAGW113CN01, JDEJGASW303EN01, JDGJGASW303EN01, ND3NXASS403UN01, SDENXAGS173CN01 and SDGNXAGS113CN01	
	804104DG	Wrapper Assembly	Dark gray; Models PD3JXAGS403UG01, PDEJXAGS434AG01, PDGJXAGS303UG01, PDGJXAGS304AG01 and PDGJXAGS543ZG01	
	804103W	Wrapper Assembly	White; Models JDEJRAGW303EW01 and JDGJRAGW303EW01	
	804104W	Wrapper Assembly	White; All other models	
3	70240301	Screw	6 required	
4	803998	Rear Access Panel		
5	70030501	Expansion Clip	6 required	
6	44087201	Nut		
	7	803970B	Control Panel	Models JDEJGAGW303EW01, JDEJGASW303EN01, JDGJGAGW303EW01 and JDGJGASW303EN01
		803962BP	Control Panel	Black; Models HDENXAGS173CN01, HDENXAGW173CN01, HDGNXAGS113CN01, HDGNXAGW113CN01, JDEJEAGW303EW01, JDEJRAGW303EW01, JDEJXAGW303EW01, JDGJEAGW303EW01, JDGJRAGW303EW01, JDGJXAGW303EW01, ND3NXASS403UN01, SDENXAGS173CN01 and SDGNXAGS113CN01
	803962DG	Control Panel	Dark gray; Models PD3JXAGS403UG01, PDEJXAGS434AG01, PDGJXAGS303UG01, PDGJXAGS304AG01 and PDGJXAGS543ZG01	
	803962WP	Control Panel	White; All other models	
8	M405188	Screw	Use with stainless steel side panels	
	D503688	Screw	Use with painted side panels	
9	D514392	Operating Instructions Label	Models BD3NXAGS403UW01, ND3NXASS403UN01, NDENXAGS303UW01 and PDEJXAGS434AG01	
	D514681	Nameplate Overlay	Models JDEJEAGW303EW01, JDEJGAGW303EW01, JDEJGASW303EN01, JDEJRAGW303EW01, JDEJXAGW303EW01, JDGJEAGW303EW01, JDGJGAGW303EW01, JDGJGASW303EN01, JDGJRAGW303EW01 and JDGJXAGW303EW01	
	D514929	Operating Instructions Label	Models PD3JXAGS403UG01, PDGJXAGS303UG01, PDGJXAGS304AG01 and PDGJXAGS543ZG01	
	D514393	Operating Instructions Label	All other models; English	
	D517764	Operating Instructions Label	All other models; Icon	
10	29651	Bolt		
11	803476	Single Drop Overlay	Models JDEJEAGW303EW01 and JDGJEAGW303EW01	
12	201091	Overlay	Models HDGNEAGS113CW01 and SDGNEAGS113CW01	
13	D512973	Switch	Through Serial No. 1810000001	
	70529301	Switch	Starting Serial No. 1810000001	

# Control Cabinet Controls - 10 Degree Front Control Models (Drawing 2 of 2)

Models HDENYAGS153CW01, HDENYAGS173CW01, HDGNYAGS113CW01, SDENYAGS153CW01,  
SDENYAGS173CW01 and SDGNYAGS113CW01



DRY2329P\_515203

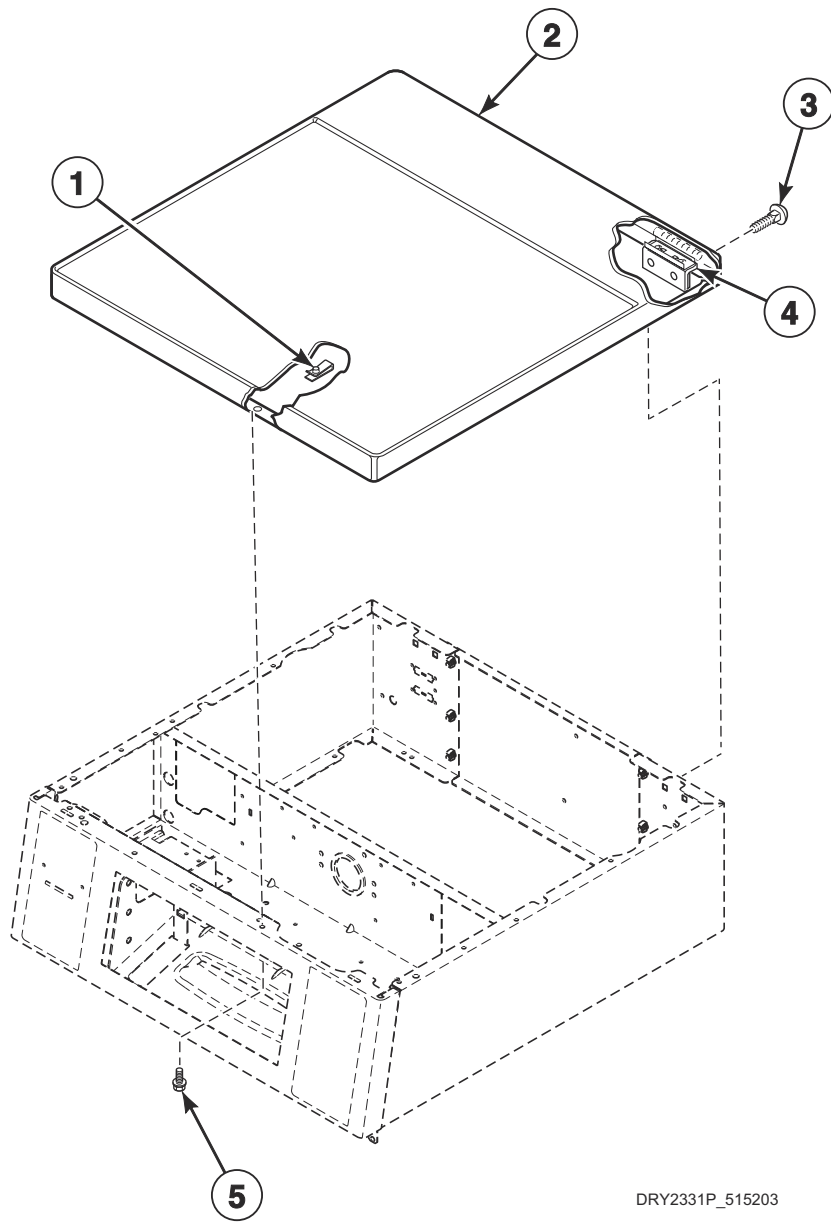


# Control Cabinet Controls - 10 Degree Front Control Models (Drawing 2 of 2)

REF	PART NO.	DESCRIPTION	COMMENTS
1	D514873	Overlay	Gray
2	804149WP	Security Cabinet Assembly	White
3	804112W	Wrapper Assembly	White
4	70240301	Screw	6 required
5	803998	Rear Access Panel	
6	70030501	Expansion Clip	6 required
7	D503688	Screw	
8	D514393	Operating Instructions Label	

# Cabinet Top - 10 Degree Front Control Models

Models BD3NXAGS403UW01, BDNXAGS303EW01, HDENEAGS153CW01, HDENEAGS173CW01, HDENXAGS153CW01, HDENXAGS173CN01, HDENXAGS173CW01, HDENXAGS543DW01, HDENXAGW173CN01, HDENYAGS153CW01, HDENYAGS173CW01, HDGNEAGS113CW01, HDGNXAGS113CN01, HDGNXAGS113CW01, HDGNXAGS123DW01, HDGNXAGS543DW01, HDGNXAGW113CN01, HDGNYAGS113CW01, JDEJEAGW303EW01, JDEJGAGW303EW01, JDEJGASW303EN01, JDEJRAGW303EW01, JDEJXAGW303EW01, JDGJEAGW303EW01, JDGJGAGW303EW01, JDGJGASW303EN01, JDGJRAGW303EW01, JDGJXAGW303EW01, ND3NXASS403UN01, NDENXAGS173MW01, NDENXAGS303UW01, NDGNXAGS113MW01, NDGNXAGS303EW01, NDGNXAGS303ZW38, PD3JXAGS403UG01, PDEJXAGS434AG01, PDGJXAGS303UG01, PDGJXAGS304AG01, PDGJXAGS543ZG01, SDENEAGS153CW01, SDENEAGS173CW01, SDENXAGS153CW01, SDENXAGS173CN01, SDENXAGS173CW01, SDENXAGS433AW01, SDENXAGS543DW01, SDENXAGS543RW01, SDENYAGS153CW01, SDENYAGS173CW01, SDEWXAGS433LW01, SDGNEAGS113CW01, SDGNXAGS113CN01, SDGNXAGS113CW01, SDGNXAGS123DW01, SDGNXAGS303AW01, SDGNXAGS543DW01 and SDGNYAGS113CW01



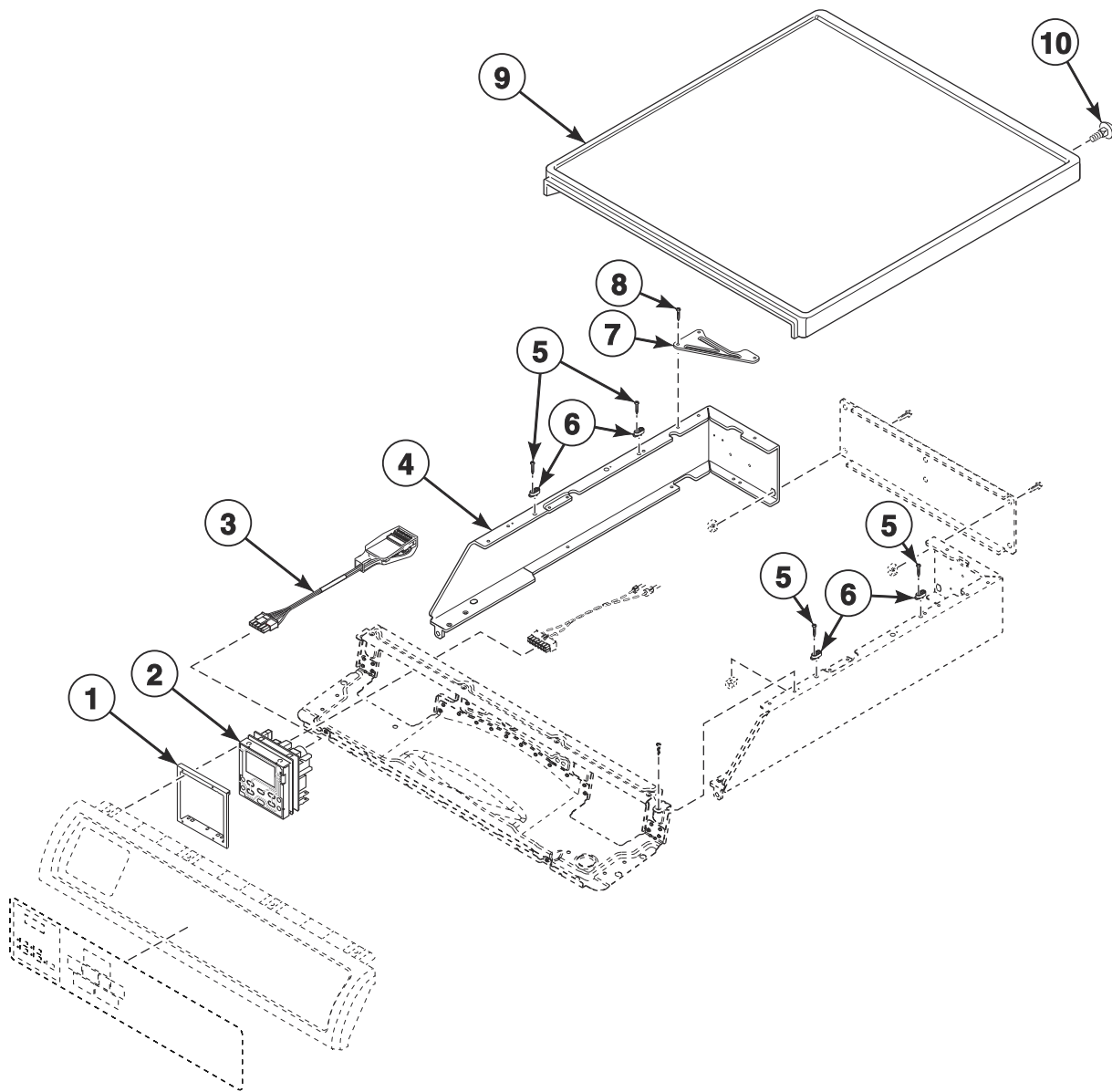
DRY2331P\_515203

## Cabinet Top - 10 Degree Front Control Models

REF	PART NO.	DESCRIPTION	COMMENTS
1	36020	Nut	
2	803869	Top Panel	Stainless steel; Models HDENXAGS173CN01, HDENXAGW173CN01, HDGNXAGS113CN01, HDGNXAGW113CN01, JDEJGASW303EN01, JDGJGASW303EN01, ND3NXASS403UN01, SDENXAGS173CN01 and SDGNXAGS113CN01
	804023DG	Top Panel	Dark gray; Models PD3JXAGS403UG01, PDEJXAGS434AG01, PDGJXAGS303UG01, PDGJXAGS304AG01 and PDGJXAGS543ZG01
	803868WP	Top Panel	White; All other models
3	29651	Bolt	
4	D504228	Top Mounting Bracket	
5	23008	Screw	

# Control Cabinet - 45 Degree Front Control Models (Drawing 1 of 2)

Models BD3NGBGS403UW01, BD3NGBSS403UN01, BD3NLBGS403UW01, BD3NLBSS403UN01, BDGNGBGS303EW01, BDGNLBGS303EW01, HDENYBGS173CW01, HDGNYBGS113CW01, JDEJGBGW303EW01, JDEJGBSW303EN01, JDGJGBGW303EW01, JDGJGBSW303EN01, ND3NLBGS403NW22, ND3NLBGS403ZW01, ND3NLBSS403UN01, PD3JGBGS403UG01, PDEJGBGS303UG01, PDEJGBGS543ZG01, PDGJGBGS303UG01, PDGJGBGS543ZG01, SD3JGBGS403UW01 and TD3NGBGS403NW36



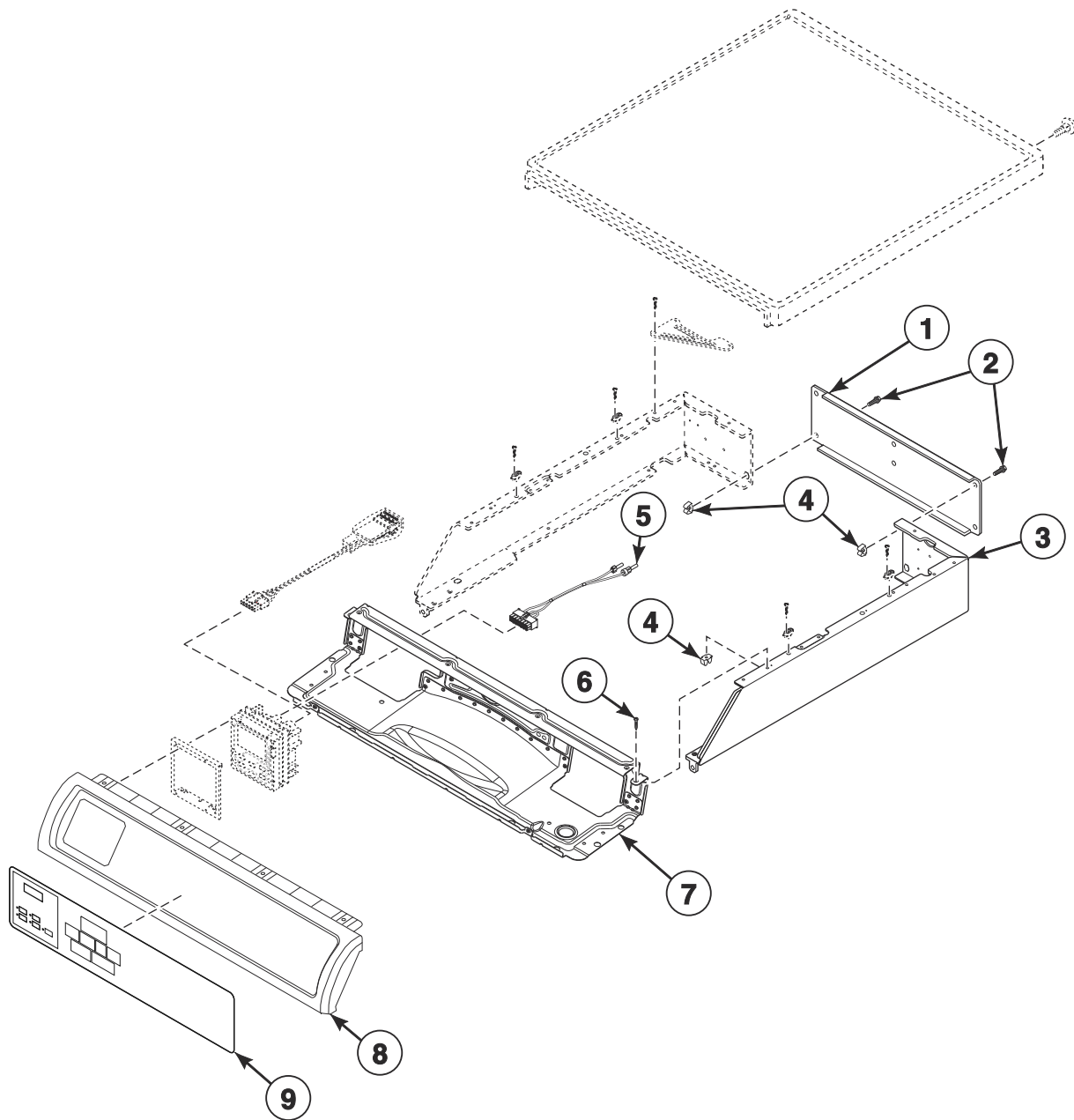
DRY2359P\_515203

# Control Cabinet - 45 Degree Front Control Models (Drawing 1 of 2)

REF	PART NO.	DESCRIPTION	COMMENTS
	36226	Bumper Pad	4 required
1	D514261	Control Bracket	
2	D515809P	Control Assembly	Models PD3JGBGS403UG01, PDEJGBGS303UG01, PDEJGBGS543ZG01, PDGJGBGS303UG01 and PDGJGBGS543ZG01
	D515807P	Control Assembly	Models HDENYBGS173CW01, HDGNYBGS113CW01, JDEJGBGW303EW01, JDEJGBSW303EN01, JDGJGBGW303EW01, JDGJGBSW303EN01, ND3NLBGS403NW22, ND3NLBGS403ZW01, ND3NLBSS403UN01, SD3JGBGS403UW01 and TD3NGBGS403NW36
	D514139P	Control Assembly	Models BD3NGBGS403UW01, BD3NGBSS403UN01, BD3NLBGS403UW01, BD3NLBSS403UN01, BDGNBGS303EW01 and BDGNLBGS303EW01
3	203361P	Machine ID Control Assembly	Model or serial number is required when ordering
4	804627W	Control Wrapper	White; Left; Models BD3NGBGS403UW01, BD3NLBGS403UW01, BDGNBGS303EW01, BDGNLBGS303EW01, HDENYBGS173CW01, HDGNYBGS113CW01, JDEJGBGW303EW01, JDGJGBGW303EW01, ND3NLBGS403NW22, ND3NLBGS403ZW01, SD3JGBGS403UW01 and TD3NGBGS403NW36
	804627B	Control Wrapper	Black; Left; Models BD3NGBSS403UN01, BD3NLBSS403UN01, JDEJGBSW303EN01, JDGJGBSW303EN01 and ND3NLBSS403UN01
	804627DG	Control Wrapper	Dark gray; Left; Models PD3JGBGS403UG01, PDEJGBGS303UG01, PDEJGBGS543ZG01, PDGJGBGS303UG01 and PDGJGBGS543ZG01
5	39733	Screw	4 required
6	803761	Top Panel Guide	4 required
7	805345	Rear Wrapper Brace	2 required
8	D503688	Screw	6 required
9	804684	Top Panel	Stainless steel; Models BD3NGBSS403UN01, BD3NLBSS403UN01, JDEJGBSW303EN01, JDGJGBSW303EN01 and ND3NLBSS403UN01
	804685WP	Top Panel	White; Models BD3NGBGS403UW01, BD3NLBGS403UW01, BDGNBGS303EW01, BDGNLBGS303EW01, HDENYBGS173CW01, HDGNYBGS113CW01, JDEJGBGW303EW01, JDGJGBGW303EW01, ND3NLBGS403NW22, ND3NLBGS403ZW01, SD3JGBGS403UW01 and TD3NGBGS403NW36
	804685DG	Top Panel	Dark gray; Models PD3JGBGS403UG01, PDEJGBGS303UG01, PDEJGBGS543ZG01, PDGJGBGS303UG01 and PDGJGBGS543ZG01
10	29651	Bolt	

# Control Cabinet - 45 Degree Front Control Models (Drawing 2 of 2)

Models BD3NGBGS403UW01, BD3NGBSS403UN01, BD3NLBGS403UW01, BD3NLBSS403UN01, BDGNGBGS303EW01, BDGNLBGS303EW01, HDENYBGS173CW01, HDGNYBGS113CW01, JDEJGBGW303EW01, JDEJGBSW303EN01, JDGJGBGW303EW01, JDGJGBSW303EN01, ND3NLBGS403NW22, ND3NLBGS403ZW01, ND3NLBSS403UN01, PD3JGBGS403UG01, PDEJGBGS303UG01, PDEJGBGS543ZG01, PDGJGBGS303UG01, PDGJGBGS543ZG01, SD3JGBGS403UW01 and TD3NGBGS403NW36



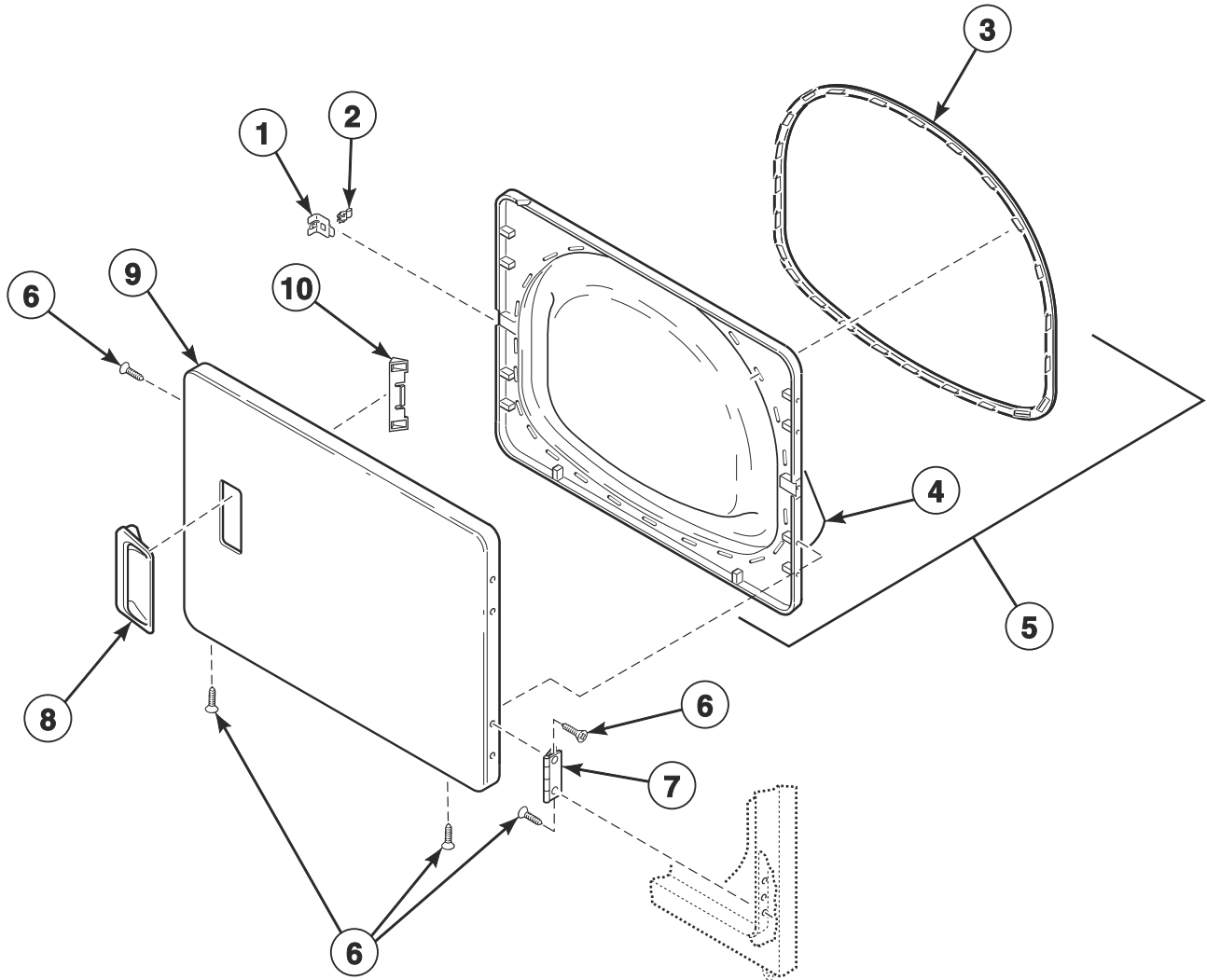
DRY2359PA\_515203

## Control Cabinet - 45 Degree Front Control Models (Drawing 2 of 2)

REF	PART NO.	DESCRIPTION	COMMENTS
	36226	Bumper Pad	4 required
1	804614	Rear Access Panel	
2	D503688	Screw	
3	804630W	Control Wrapper	White; Right; Models BD3NGBGS403UW01, BD3NLBGS403UW01, BDGNGBGS303EW01, BDGNLBGS303EW01, HDENYBGS173CW01, HDGNYBGS113CW01, JDEJGBGW303EW01, JDGJGBGW303EW01, ND3NLBGS403NW22, ND3NLBGS403ZW01, SD3JGBGS403UW01 and TD3NGBGS403NW36
	804630B	Control Wrapper	Black; Right; Models BD3NGBSS403UN01, BD3NLBSS403UN01, JDEJGBSW303EN01, JDGJGBSW303EN01 and ND3NLBSS403UN01
	804630DG	Control Wrapper	Dark gray; Right; Models PD3JGBGS403UG01, PDEJGBGS303UG01, PDEJGBGS543ZG01, PDGJGBGS303UG01 and PDGJGBGS543ZG01
4	70030501	Expansion Clip	
5	202869	Wiring Harness Assembly	
6	804667	Screw	
7	804613	Top Panel Brace Assembly	
8	D514287W	Control Panel Assembly	Models HDENYBGS173CW01 and HDGNYBGS113CW01
	D514454	Control Panel Assembly	Models BD3NGBGS403UW01, BD3NLBGS403UW01, BDGNGBGS303EW01, BDGNLBGS303EW01, ND3NLBGS403NW22, ND3NLBGS403ZW01, SD3JGBGS403UW01 and TD3NGBGS403NW36
	D514455	Control Panel Assembly	Models BD3NGBSS403UN01, BD3NLBSS403UN01, JDEJGBGW303EW01, JDEJGBSW303EN01, JDGJGBGW303EW01, JDGJGBSW303EN01 and ND3NLBSS403UN01
	D514468	Control Panel Assembly	Models PD3JGBGS403UG01, PDEJGBGS303UG01, PDEJGBGS543ZG01, PDGJGBGS303UG01 and PDGJGBGS543ZG01
9	D515059	Control Overlay	Models HDENYBGS173CW01 and HDGNYBGS113CW01
	D514656	Control Overlay	Models BD3NGBGS403UW01, BD3NGBSS403UN01, BD3NLBGS403UW01, BD3NLBSS403UN01, BDGNGBGS303EW01 and BDGNLBGS303EW01
	D514658	Control Overlay	Models ND3NLBGS403NW22, ND3NLBGS403ZW01, ND3NLBSS403UN01 and TD3NGBGS403NW36
	D514660	Control Overlay	Models JDEJGBGW303EW01, JDEJGBSW303EN01, JDGJGBGW303EW01 and JDGJGBSW303EN01
	D514928	Control Overlay	Models PD3JGBGS403UG01, PDEJGBGS303UG01, PDEJGBGS543ZG01, PDGJGBGS303UG01 and PDGJGBGS543ZG01
	D517618	Control Overlay	Model SD3JGBGS403UW01

# Loading Door without Window

All Models Except JDEJEAGW303EW01, JDEJGAGW303EW01, JDEJGASW303EN01, JDEJGBGW303EW01, JDEJGBSW303EN01, JDEJRAGW303EW01, JDEJXAGW303EW01, JDGJEAGW303EW01, JDGJGAGW303EW01, JDGJGASW303EN01, JDGJGBGW303EW01, JDGJGBSW303EN01, JDGJRAGW303EW01 and JDGJXAGW303EW01



DRY1857P\_515203

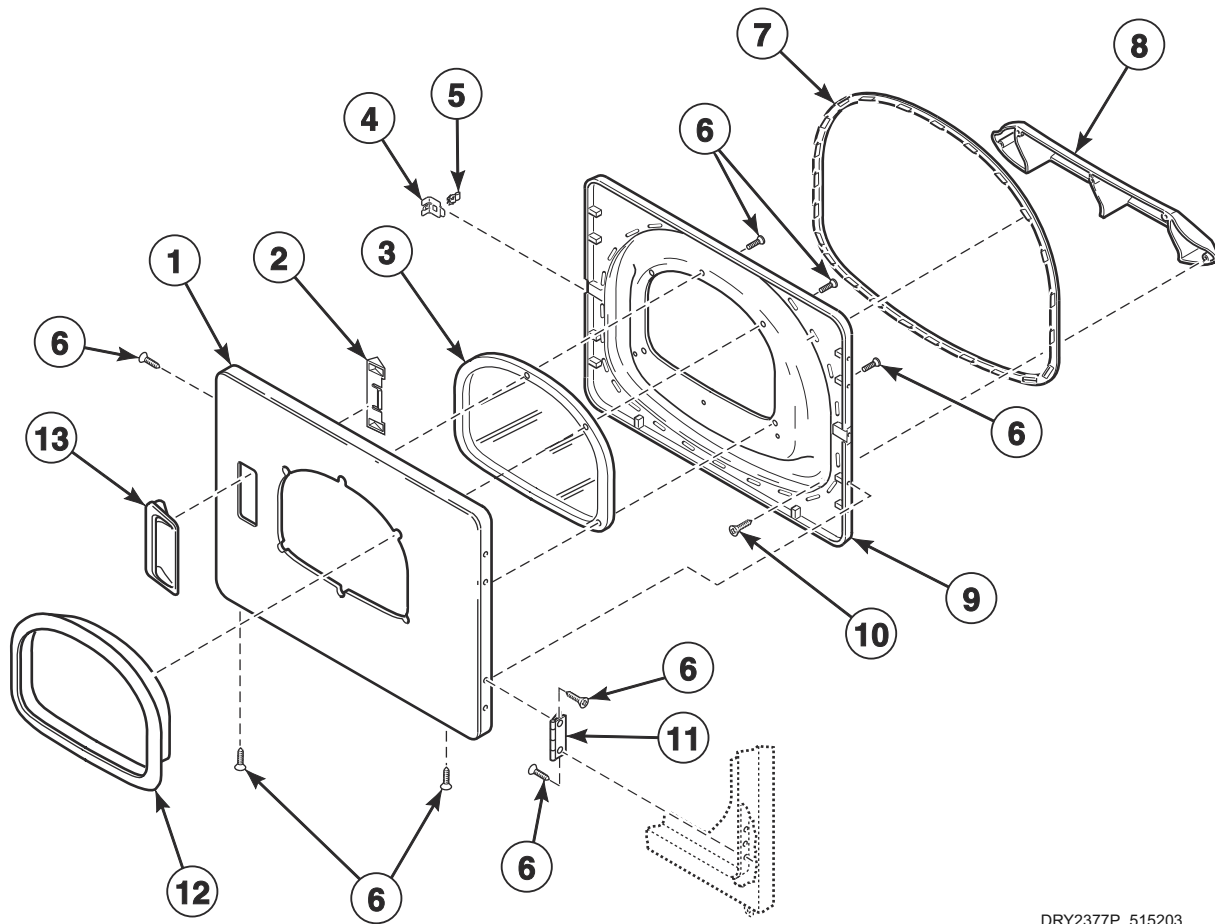


## Loading Door without Window

REF	PART NO.	DESCRIPTION	COMMENTS
1	D510127	Door Strike Mount	Through Serial No. 1812999999
2	D510181	Door Strike	
3	D510147P	Liner Door Seal	Through Serial No. 1812999999
4	D503870LG	Door Liner Grill	Gray
	D503870W	Door Liner Grill	White
5	D510163WP	Liner, Seal and Grill Assembly	White; Includes item 3; Through Serial No. 1812999999
	D516508	Door Liner Assembly	Includes seal; Starting Serial No. 1901000001
6	D500226	Screw	
7	D511036	Hinge	
8	D511213P	Door Pull and Wedge Kit	Black; Includes item 9; Models BD3NGBSS403UN01, BD3NLBSS403UN01, HDENXAGS173CN01, HDENXAGW173CN01, HDGNXAGS113CN01, HDGNXAGW113CN01, ND3NLBSS403UN01, ND3NXASS403UN01, SDENXAGS173CN01 and SDGNXAGS113CN01
	D512947	Door Pull	Light gray; Includes item 9; Models PD3JGBGS403UG01, PD3JXAGS403UG01, PDEJGBGS303UG01, PDEJGBGS543ZG01, PDEJXAGS434AG01, PDGJGBGS303UG01, PDGJGBGS543ZG01, PDGJXAGS303UG01, PDGJXAGS304AG01 and PDGJXAGS543ZG01
	D510103WP	Door Pull and Wedge Kit	White; Includes item 9; All other models
9	D512969	Dryer Door	Stainless steel; Includes item 9; Models BD3NGBSS403UN01, BD3NLBSS403UN01, HDENXAGS173CN01, HDENXAGW173CN01, HDGNXAGS113CN01, HDGNXAGW113CN01, ND3NLBSS403UN01, ND3NXASS403UN01, SDENXAGS173CN01 and SDGNXAGS113CN01
	D510013DG	Dryer Door	Dark gray; Includes item 9; Models PD3JGBGS403UG01, PD3JXAGS403UG01, PDEJGBGS303UG01, PDEJGBGS543ZG01, PDEJXAGS434AG01, PDGJGBGS303UG01, PDGJGBGS543ZG01, PDGJXAGS303UG01, PDGJXAGS304AG01 and PDGJXAGS543ZG01
	D510013WP	Dryer Door	White; All other models
10	D510129W	Door Handle Wedge	

# Loading Door with Window

Models JDEJEAGW303EW01, JDEJGAGW303EW01, JDEJGASW303EN01, JDEJGBGW303EW01, JDEJGBSW303EN01, JDEJRAGW303EW01, JDEJXAGW303EW01, JDGJEAGW303EW01, JDGJGAGW303EW01, JDGJGASW303EN01, JDGJGBGW303EW01, JDGJGBSW303EN01, JDGJRAGW303EW01 and JDGJXAGW303EW01

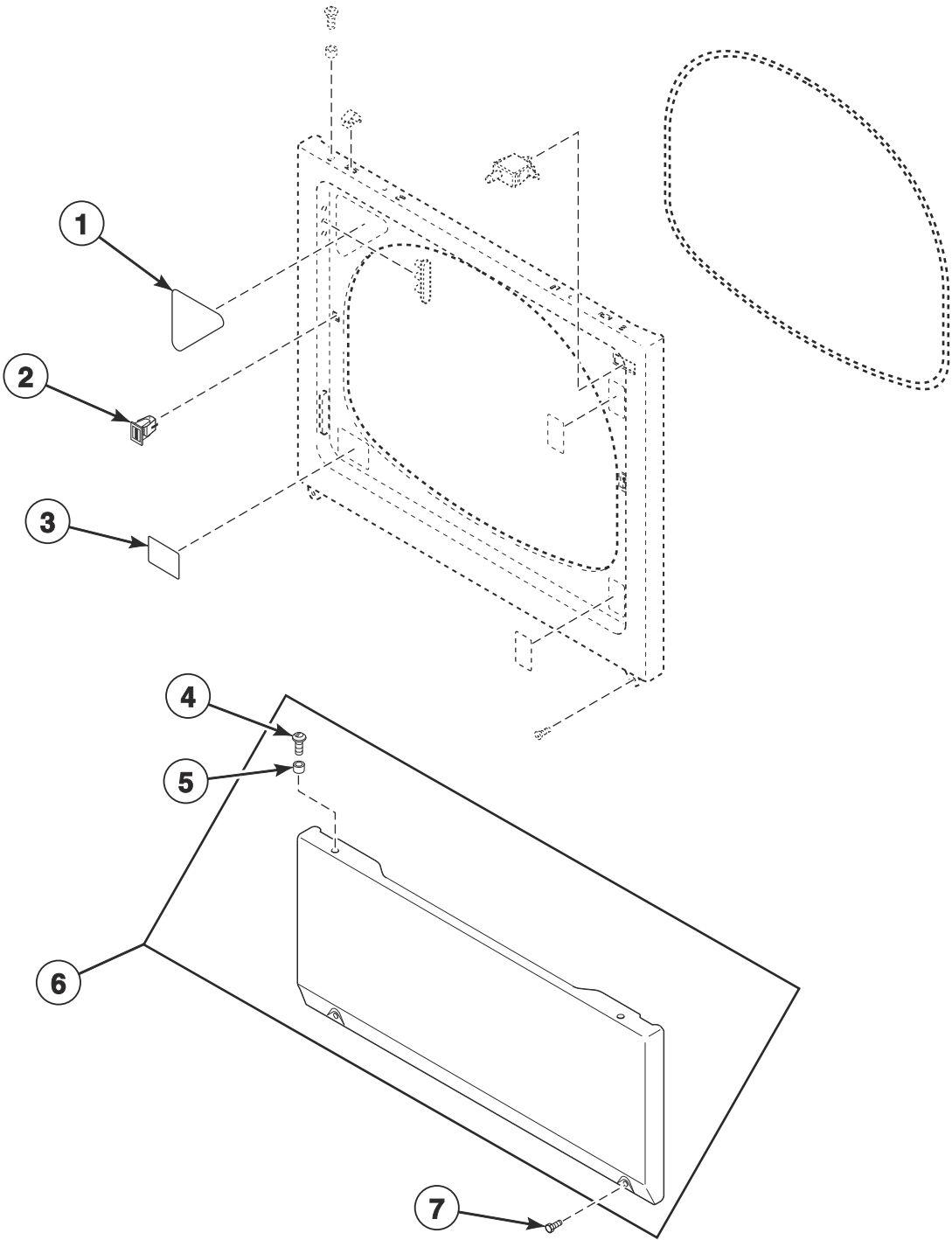


DRY2377P\_515203

## Loading Door with Window

REF	PART NO.	DESCRIPTION	COMMENTS
1	D513225	Dryer Door	Stainless steel; Models JDEJGASW303EN01, JDEJGBSW303EN01, JDGJGASW303EN01 and JDGJGBSW303EN01; Through Serial No. 1812999999
	D515964	Dryer Door	Stainless steel; Models JDEJGASW303EN01, JDEJGBSW303EN01, JDGJGASW303EN01 and JDGJGBSW303EN01; Starting Serial No. 1901000001
	D510082WP	Dryer Door	All other models; Through Serial No. 1812999999
	D515961W	Dryer Door	All other models; Starting Serial No. 1901000001
2	D510103WP	Door Pull and Wedge Kit	Models JDEJGASW303EN01, JDEJGBSW303EN01, JDGJGASW303EN01 and JDGJGBSW303EN01
	D510129W	Door Handle Wedge	All other models
3	D503982P	Dryer Door Window	Through Serial No. 1812999999
	D515681	Dryer Door Window	Starting Serial No. 1901000001
4	D510127	Door Strike Mount	Through Serial No. 1812999999
5	D510181	Door Strike	
6	D500226	Screw	
7	D510147P	Liner Door Seal	Through Serial No. 1812999999
8	D503870LG	Door Liner Grill	Models JDEJGASW303EN01, JDEJGBSW303EN01, JDGJGASW303EN01 and JDGJGBSW303EN01
	D503870W	Door Liner Grill	All other models
9	D516509	Liner and Seal Assembly	Includes seal
10	D505870	Screw	
11	D511036	Hinge	
12	D512633	Window Trim	Gray; Models JDEJGASW303EN01, JDEJGBSW303EN01, JDGJGASW303EN01 and JDGJGBSW303EN01; Through Serial No. 1812999999
	D515955	Window Trim	Gray; Models JDEJGASW303EN01, JDEJGBSW303EN01, JDGJGASW303EN01 and JDGJGBSW303EN01; Starting Serial No. 1901000001
	D503981W	Window Trim	White; All other models; Through Serial No. 1812999999
	D515956W	Window Trim	White; All other models; Starting Serial No. 191000001
	13	D511213P	Door Pull and Wedge Kit
	D512947	Door Pull	All other models

# Access Panel

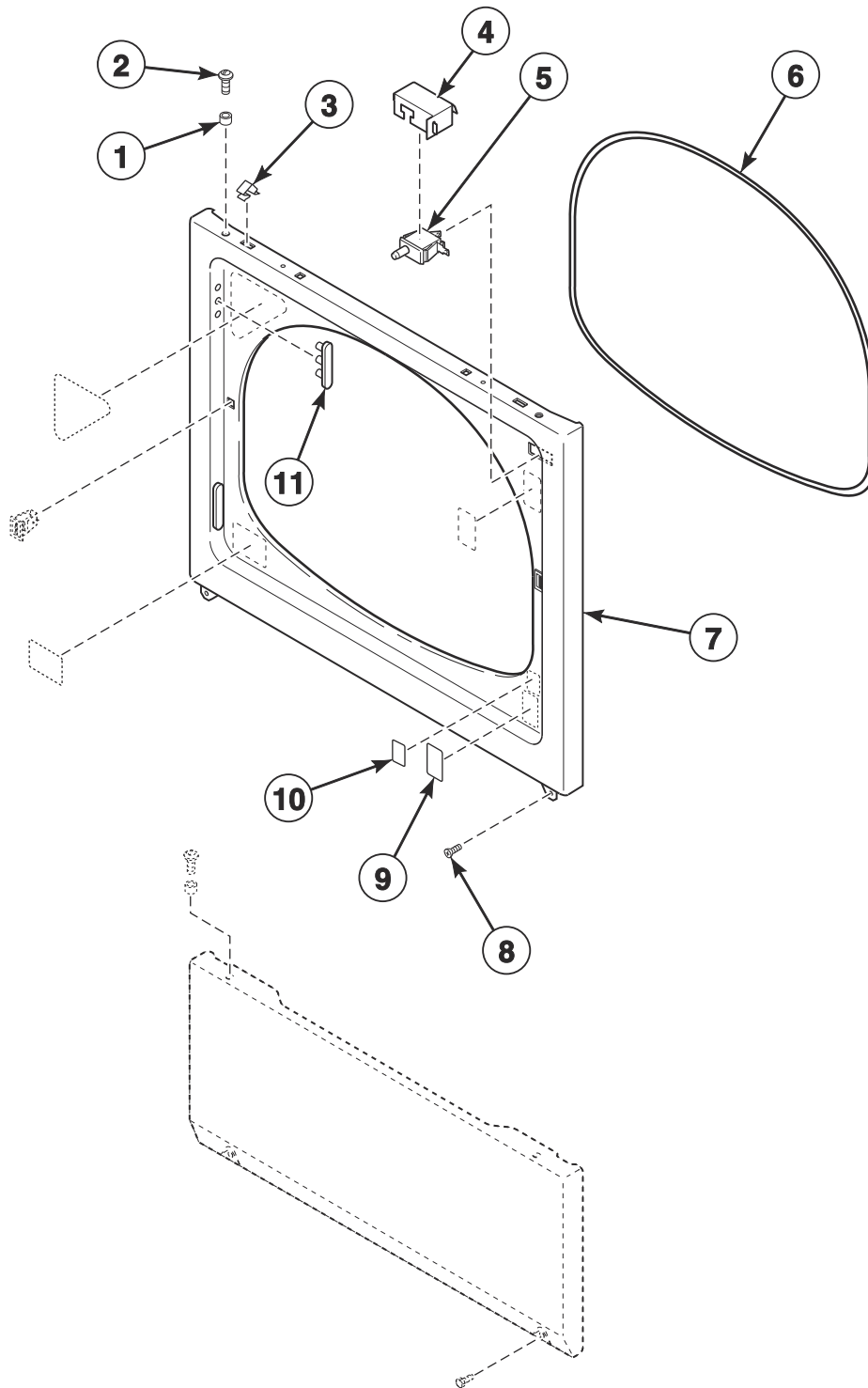


DRY1776P\_515203

## Access Panel

REF	PART NO.	DESCRIPTION	COMMENTS
1	D514867	Warning Label	Thai
	D514410	Warning Label	Arabic
	D502825	Warning Label	Spanish
	D514866	Warning Label	Japanese
	D514226	Warning Label	Brazilian Portuguese
	D500253	Caution Label	English/French
	D500281	Warning/Caution Label	English
2	D510177	Door Catch Assembly	
3	D502804	Lint Filter Label	Models SDENXAGS433AW01, SDENXRGS433AW01, SDENXRGS433LW01, SDGNXAGS303AW01, SDGNXRGS303AW01 and SDLNXRGS303LW01
	D502781	Lint Filter Label	All other models
4	39733	Screw	
5	56079	Panel Locator	
6	D514251	Access Panel Assembly	Stainless steel; Models BD3NGBSS403UN01, BD3NLBSS403UN01, HDENXAGS173CN01, HDENXAGW173CN01, HDGNXAGS113CN01, HDGNXAGW113CN01, JDEJGASW303EN01, HDGNXAGW113CN01, JDEJGASW303EN01, JDEJGBSW303EN01, JDGJGASW303EN01, JDGJGBSW303EN01, ND3NLBSS403UN01, ND3NXASS403UN01, SDENXAGS173CN01 and SDGNXAGS113CN01
	D514250DG	Access Panel Assembly	Dark gray; Models PD3JGBGS403UG01, PD3JXAGS403UG01, PDEJGBGS303UG01, PDEJGBGS543ZG01, PDEJXAGS434AG01, PDGJGBGS303UG01, PDGJGBGS543ZG01, PDGJXAGS303UG01, PDGJXAGS304AG01 and PDGJXAGS543ZG01
	D514250WP	Access Panel Assembly	White; All other models
7	33562	Screw	
	62853	Screw	Optional for added security

# Front Panel and Seal

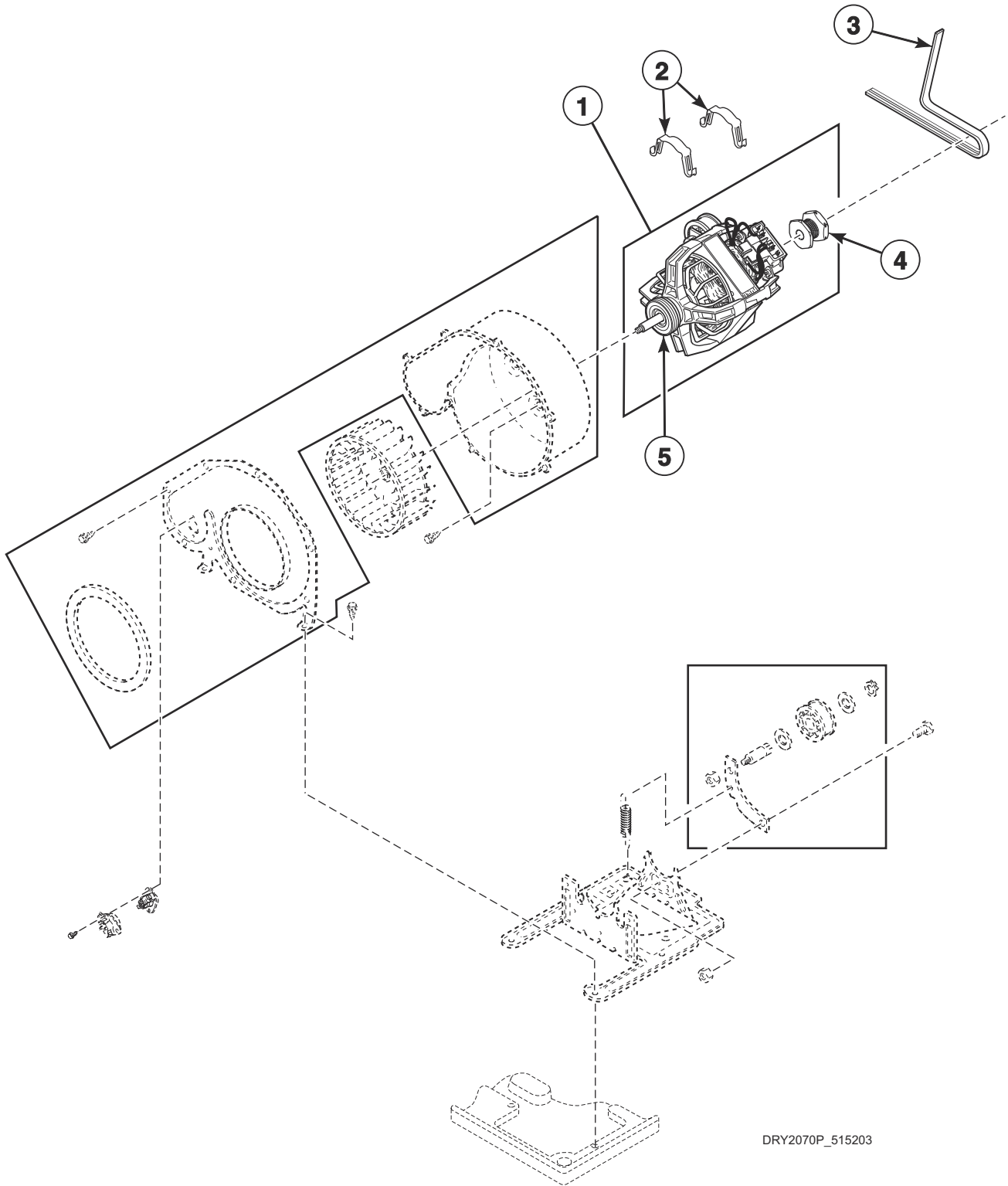


DRY2355P\_515203

## Front Panel and Seal

REF	PART NO.	DESCRIPTION	COMMENTS
1	56079	Panel Locator	
2	39733	Screw	
3	28835	Speed Clip	
4	D514327	Drip Shield	Models BD3NGBGS403UW01, BD3NGBSS403UN01, BD3NLBGS403UW01, BD3NLBSS403UN01, BD3NXAGS403UW01, BDGNBGS303EW01, BDGNLBGS303EW01, BDGNXAGS303EW01, HDENXAGS543DW01, HDGNXAGS123DW01, HDGNXAGS543DW01, JDEJEAGW303EW01, JDEJGAGW303EW01, JDEJGASW303EN01, JDEJGBGW303EW01, JDEJGBSW303EN01, JDEJRAGW303EW01, JDEJXAGW303EW01, JDGJEAGW303EW01, JDGJGAGW303EW01, JDGJGASW303EN01, JDGJGBGW303EW01, JDGJGBSW303EN01, JDGJRAGW303EW01, JDGJXAGW303EW01, ND3NLBGS403ZW01, ND3NLBSS403UN01, ND3NXASS403UN01, NDENXAGS303UW01, NDGNXAGS303EW01, NDGNXAGS303ZW38, PD3JGBGS403UG01, PD3JXAGS403UG01, PDEJGBGS303UG01, PDEJGBGS543ZG01, PDEJXAGS434AG01, PDGJGBGS303UG01, PDGJGBGS543ZG01, PDGJXAGS303UG01, PDGJXAGS304AG01, PDGJXAGS543ZG01, SD3JGBGS403UW01, SDENXAGS543DW01, SDENXAGS543RW01, SDENYRGS303ZW01, SDEWXAGS433LW01, SDGNXAGS123DW01, SDGNXAGS543DW01, SDLNXRGS543PW01, SDMNXRGS083JW01 and SDMNXRGS103JW01
5	D512973	Switch	
6	D511056	Front Panel Seal	
7	D512542	Front Panel	Stainless steel; Models BD3NGBSS403UN01, BD3NLBSS403UN01, HDENXAGS173CN01, HDENXAGW173CN01, HDGNXAGS113CN01, HDGNXAGW113CN01, JDEJGASW303EN01, JDEJGBSW303EN01, JDGJGASW303EN01, JDGJGBSW303EN01, ND3NLBSS403UN01, ND3NXASS403UN01, SDENXAGS173CN01 and SDGNXAGS113CW01
	D510066DG	Front Panel	Dark gray; Models PD3JGBGS403UG01, PD3JXAGS403UG01, PDEJGBGS303UG01, PDEJGBGS543ZG01, PDEJXAGS434AG01, PDGJGBGS303UG01, PDGJGBGS543ZG01, PDGJXAGS303UG01, PDGJXAGS304AG01 and PDGJXAGS543ZG01
	D510066WP	Front Panel	White; All other models
8	M405188	Screw	Use with stainless steel side panels
	D503688	Screw	Use with painted side panels
9	D512263	Warning Label	Models SDENXAGS433AW01, SDENXRGS433AW01, SDGNXAGS303AW01 and SDGNXRGS303AW01
10	D503887	Label	Models SDGNXAGS303AW01 and SDGNXRGS303AW01
11	D510186	Hinge Hole Plug	

# Motor and Belt



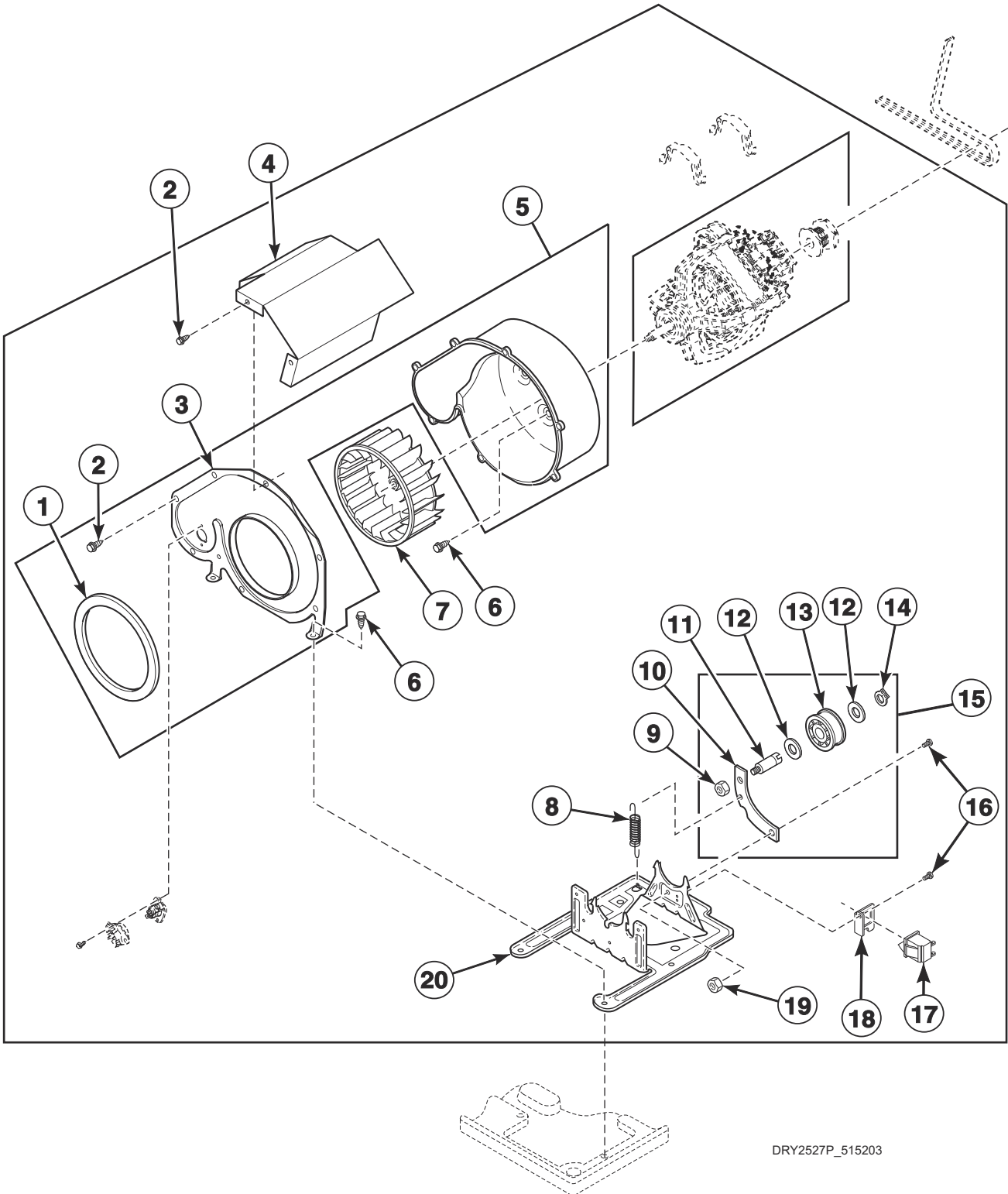
DRY2070P\_515203



# Motor and Belt

REF	PART NO.	DESCRIPTION	COMMENTS
	27604P	Anti-Seize Compound	Apply to motor shaft when installing blower fan assembly
1	D505843P	Motor and Pulley Assembly	240 Volt/50 Hertz; Includes items 4-5; Apply anti-seize compound to motor shaft when installing blower fan assembly; Models BD3NGBGS403UW01, BD3NGBSS403UN01, BD3NLBGS403UW01, BD3NLBSS403UN01, BD3NXAGS403UW01, BDGNGBGS303EW01, BDGNLBGS303EW01, BDGNXAGS303EW01, JDEJEAGW303EW01, JDEJGAGW303EW01, JDEJGASW303EN01, JDEJGBGW303EW01, JDEJGBSW303EN01, JDEJRAGW303EW01, JDEJXAGW303EW01, JDGJEAGW303EW01, JDGJGAGW303EW01, JDGJGASW303EN01, JDGJGBGW303EW01, JDGJGBSW303EN01, JDGJRAGW303EW01, JDGJXAGW303EW01, ND3NLBGS403NW22, ND3NLBGS403ZW01, ND3NLBSS403UN01, ND3NXASS403UN01, NDENXAGS303UW01, NDGNXAGS303EW01, NDGNXAGS303ZW38, PD3JGBGS403UG01, PD3JXAGS403UG01, PDEJGBGS303UG01, PDEJXAGS434AG01, PDGJGBGS303UG01, PDGJXAGS303UG01, PDGJXAGS304AG01, SD3JGBGS403UW01, SDENXAGS433AW01, SDENXRGs433AW01, SDENXRGs433LW01, SDENYRGs303NW22, SDENYRGs303ZW01, SDEWXAGS433LW01, SDGNXAGS303AW01, SDGNXRGs303AW01, SDLNXRGs303LW01 and TD3NGBGS403NW36
	D505869P	Motor and Pulley Assembly	240 Volt/60 Hertz; Includes items 4-5; Apply anti-seize compound to motor shaft when installing blower fan assembly; Models HDENXAGS543DW01, HDGNXAGS543DW01, PDEJGBGS543ZG01, PDGJGBGS543ZG01, PDGJXAGS543ZG01, SDENXAGS543DW01, SDENXAGS543RW01, SDGNXAGS543DW01, SDLNXRGs543NW23 and SDLNXRGs543PW01
	D516608P	Motor and Pulley Assembly	115 Volt/50 Hertz; Includes items 4; Apply anti-seize compound to motor shaft when installing blower fan assembly; Model SDMNXRGs103JW01
	D511629P	Motor and Pulley Assembly	120 Volt/60 Hertz; Includes items 4-5; Apply anti-seize compound to motor shaft when installing blower fan assembly; All other models
2	D510180	Motor Mount Clamp	
3	D511255P	Cylinder Belt	
4	D500222	Motor Pulley	Use with Motor and Pulley Assembly; 50 Hertz; Models BD3NGBGS403UW01, BD3NGBSS403UN01, BD3NLBGS403UW01, BD3NLBSS403UN01, BD3NXAGS403UW01, BDGNGBGS303EW01, BDGNLBGS303EW01, BDGNXAGS303EW01, JDEJEAGW303EW01, JDEJGAGW303EW01, JDEJGASW303EN01, JDEJGBGW303EW01, JDEJGBSW303EN01, JDEJRAGW303EW01, JDEJXAGW303EW01, JDGJEAGW303EW01, JDGJGAGW303EW01, JDGJGASW303EN01, JDGJGBGW303EW01, JDGJGBSW303EN01, JDGJRAGW303EW01, JDGJXAGW303EW01, ND3NLBGS403NW22, ND3NLBGS403ZW01, ND3NLBSS403UN01, ND3NXASS403UN01, NDENXAGS303UW01, NDGNXAGS303EW01, NDGNXAGS303ZW38, PD3JGBGS403UG01, PD3JXAGS403UG01, PDEJGBGS303UG01, PDEJXAGS434AG01, PDGJGBGS303UG01, PDGJXAGS303UG01, PDGJXAGS304AG01, SD3JGBGS403UW01, SDENXAGS433AW01, SDENXRGs433AW01, SDENXRGs433LW01, SDENYRGs303NW22, SDENYRGs303ZW01, SDEWXAGS433LW01, SDGNXAGS303AW01, SDGNXRGs303AW01, SDLNXRGs303LW01, SDMNXRGs103JW01 and TD3NGBGS403NW36
	D500011	Motor Pulley	Use with Motor and Pulley Assembly; 60 Hertz; All other models
5	590P3	Motor Hub Ring Kit	

# Exhaust Fan and Idler

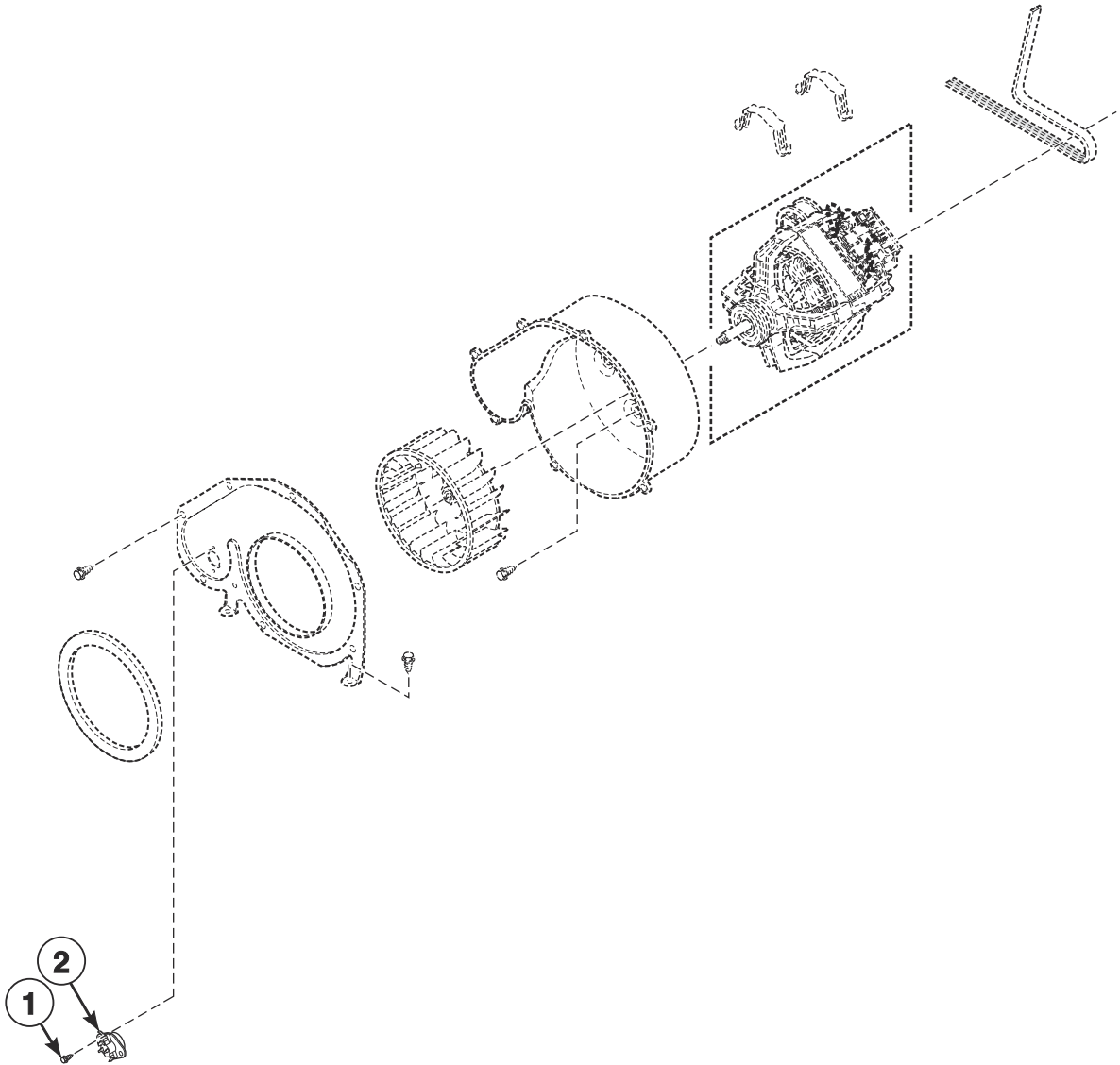


DRY2527P\_515203

## Exhaust Fan and Idler

REF	PART NO.	DESCRIPTION	COMMENTS
	27604P	Anti-Seize Compound	Apply to motor shaft when installing blower fan assembly
1	D510238P	Blower Housing Seal	
2	31260	Screw	
3	D511970	Blower Housing Cover	
4	D514602	Motor Shield	Models BD3NGBGS403UW01, BD3NGBSS403UN01, BD3NLBGS403UW01, BD3NLBSS403UN01, BD3NXAGS403UW01, BDGNBGS303EW01, BDGNLBGS303EW01, BDGNXAGS303EW01, HDENXAGS543DW01, HDGNXAGS123DW01, HDGNXAGS543DW01, JDEJEAGW303EW01, JDEJGAGW303EW01, JDEJGASW303EN01, JDEJGBGW303EW01, JDEJGBSW303EN01, JDEJRAGW303EW01, JDEJXAGW303EW01, JDGJEAGW303EW01, JDGJGAGW303EW01, JDGJGASW303EN01, JDGJGBGW303EW01, JDGJGBSW303EN01, JDGJRAGW303EW01, JDGJXAGW303EW01, ND3NLBGS403ZW01, ND3NLBSS403UN01, ND3NXASS403UN01, NDENXAGS303UW01, NDGNXAGS303EW01, NDGNXAGS303ZW38, PD3JGBGS403UG01, PD3JXAGS403UG01, PDEJGBGS303UG01, PDEJGBGS543ZG01, PDEJXAGS434AG01, PDGJGBGS303UG01, PDGJGBGS543ZG01, PDGJXAGS303UG01, PDGJXAGS304AG01, PDGJXAGS543ZG01, SD3JGBGS403UW01, SDENXAGS543DW01, SDENXAGS543RW01, SDENYRGS303ZW01, SDEWXAGS433LW01, SDGNXAGS123DW01, SDGNXAGS543DW01, SDLNXRGS543PW01, SDMNXRGS083JW01 and SDMNXRGS103JW01
5	D511969WP	Blower Housing	White; Includes items 1-3
	D511969LG	Blower Housing	Gray; Includes items 1-3
6	D503688	Screw	
7	D510139P	Blower Fan Assembly	Apply anti-seize compound to motor shaft when installing blower fan assembly
8	D510185	Idler Spring	
9	56156	Nut	
10	D516310	Idler Lever	
11	56461P	Shaft	
12	52549	Washer	
13	D510142P	Idler Wheel and Bearing Assembly	
14	23748	Retaining Ring	
15	D516792	Idler Lever and Wheel Assembly	Includes items 9-14
16	D500824	Screw	
17	D516391	Switch	Starting Serial No. 1903000001
18	D516311	Motor Switch Bracket	Starting Serial No. 1903000001
19	52566	Nut	
20	D510060	Motor Mount	

# Thermistor

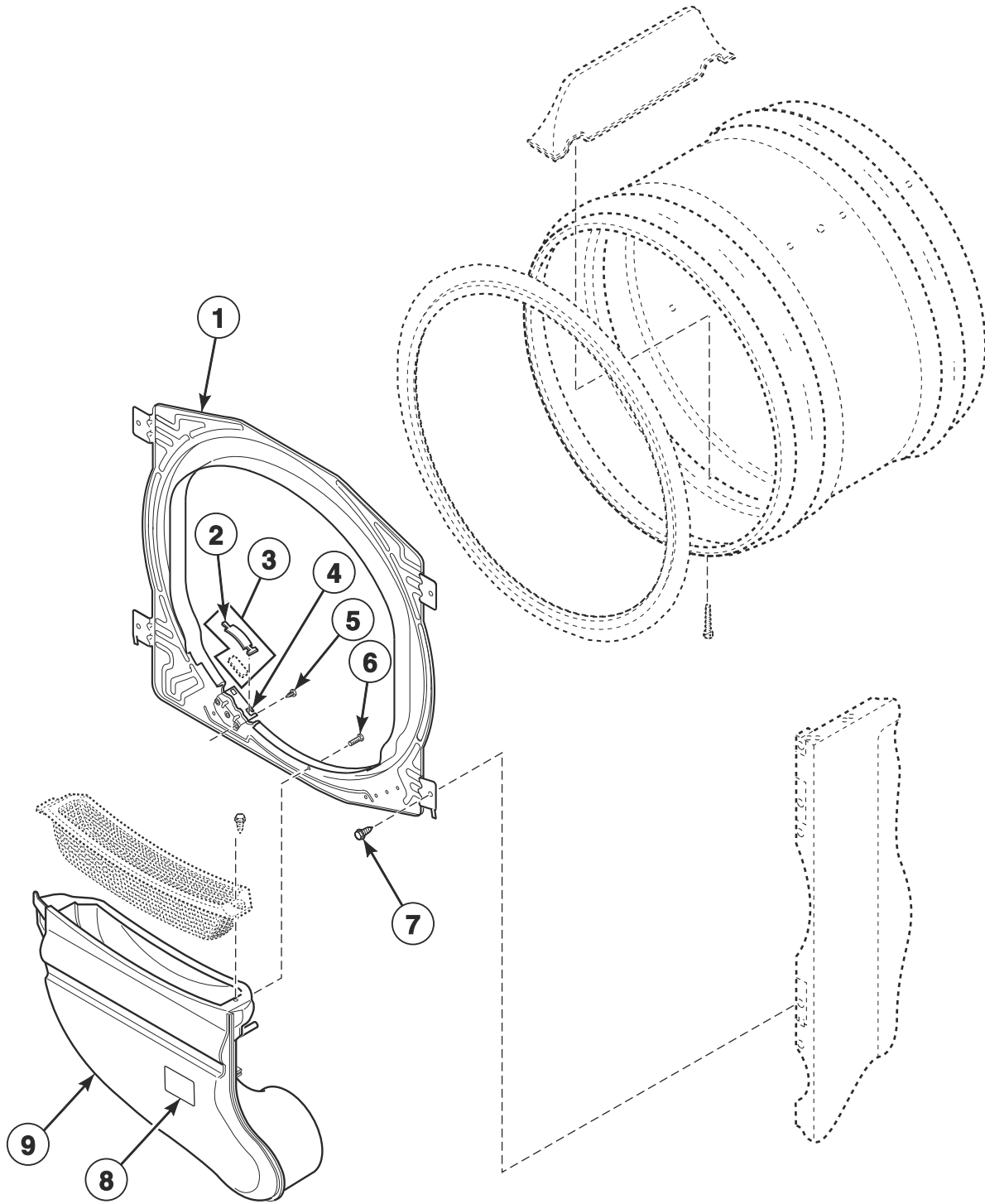


DRY2397P\_515203

# Thermistor

REF	PART NO.	DESCRIPTION	COMMENTS
1	D502535	Screw	
2	D502366	Thermistor Assembly	Models BD3NGBGS403UW01, BD3NGBSS403UN01, BD3NLBGS403UW01, BD3NLBSS403UN01, BD3NXAGS403UW01, BDGNGBGS303EW01, BDGNLBGS303EW01, BDGNXAGS303EW01, JDEJEAGW303EW01, JDEJGAGW303EW01, JDEJGASW303EN01, JDEJGBGW303EW01, JDEJGBSW303EN01, JDEJRAGW303EW01, JDEJXAGW303EW01, JDGJEAGW303EW01, JDGJGAGW303EW01, JDGJGASW303EN01, JDGJGBGW303EW01, JDGJGBSW303EN01, JDGJRAGW303EW01, JDGJXAGW303EW01, ND3NLBGS403NW22, ND3NLBGS403ZW01, ND3NLBSS403UN01, ND3NXASS403UN01, NDENXAGS303UW01, NDGNXAGS303EW01, NDGNXAGS303ZW38, PD3JGBGS403UG01, PD3JXAGS403UG01, PDEJGBGS303UG01, PDEJXAGS434AG01, PDGJGBGS303UG01, PDGJXAGS303UG01, PDGJXAGS304AG01, SD3JGBGS403UW01, SDENXAGS433AW01, SDENXRGs433AW01, SDENXRGs433LW01, SDENYRGs303NW22, SDENYRGs303ZW01, SDEWXAGS433LW01, SDGNXAGS303AW01, SDGNXRGs303AW01, SDLNXRGs303LW01, SDMNXRGs103JW01 and TD3NGBGS403NW36
	D510523	Thermistor Assembly	All other models

# Front Bulkhead, Air Duct and Felt Seal (Drawing 1 of 2)

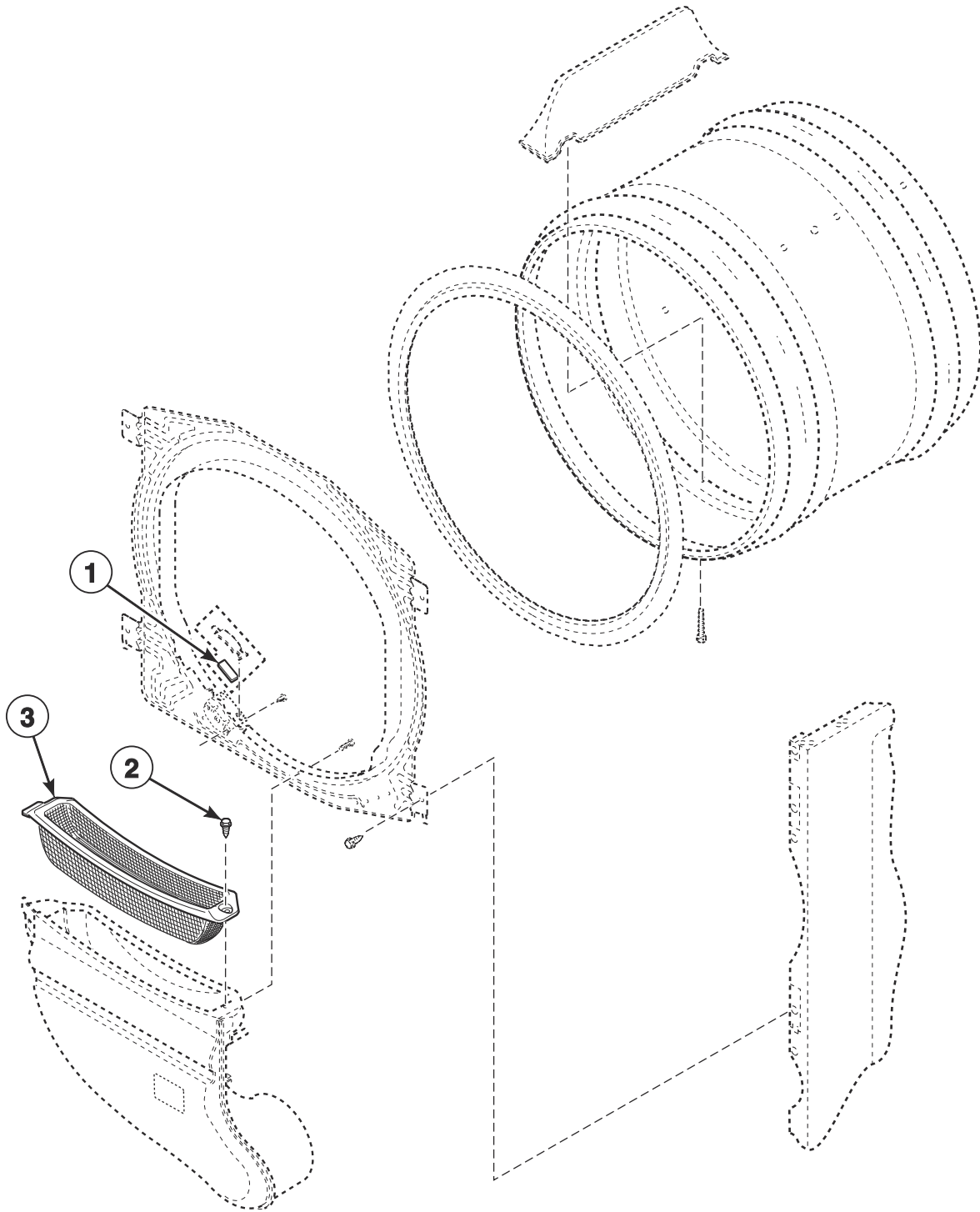


DRY1910P\_515203

## Front Bulkhead, Air Duct and Felt Seal (Drawing 1 of 2)

REF	PART NO.	DESCRIPTION	COMMENTS
1	D510266P	Front Bulkhead Assembly	Unpainted; Includes D510207P Cylinder Seal Assembly and items 2-5 and 12
2	D513710	Cylinder Glide	
3	RB170003	Glide Kit	Includes items 2 and 12; Quantity: 2 of each item
4	D510145	Cylinder Glide Bracket	
5	52864	Screw	
6	D500226	Screw	
7	D503688	Screw	
8	F8211201	Electrical Shock Label	Icon
	F8615701	Pinch Warning Label	Icon
	D500049	Warning Label	English
	44324001	Warning Label	English/French
	D500314	Warning Label	French
9	D518433	Air Duct Assembly	Light gray; Starting Serial No. 1901000001
	D510151W	Air Duct Assembly	White; Through Serial No. 1812999999

# Front Bulkhead, Air Duct and Felt Seal (Drawing 2 of 2)



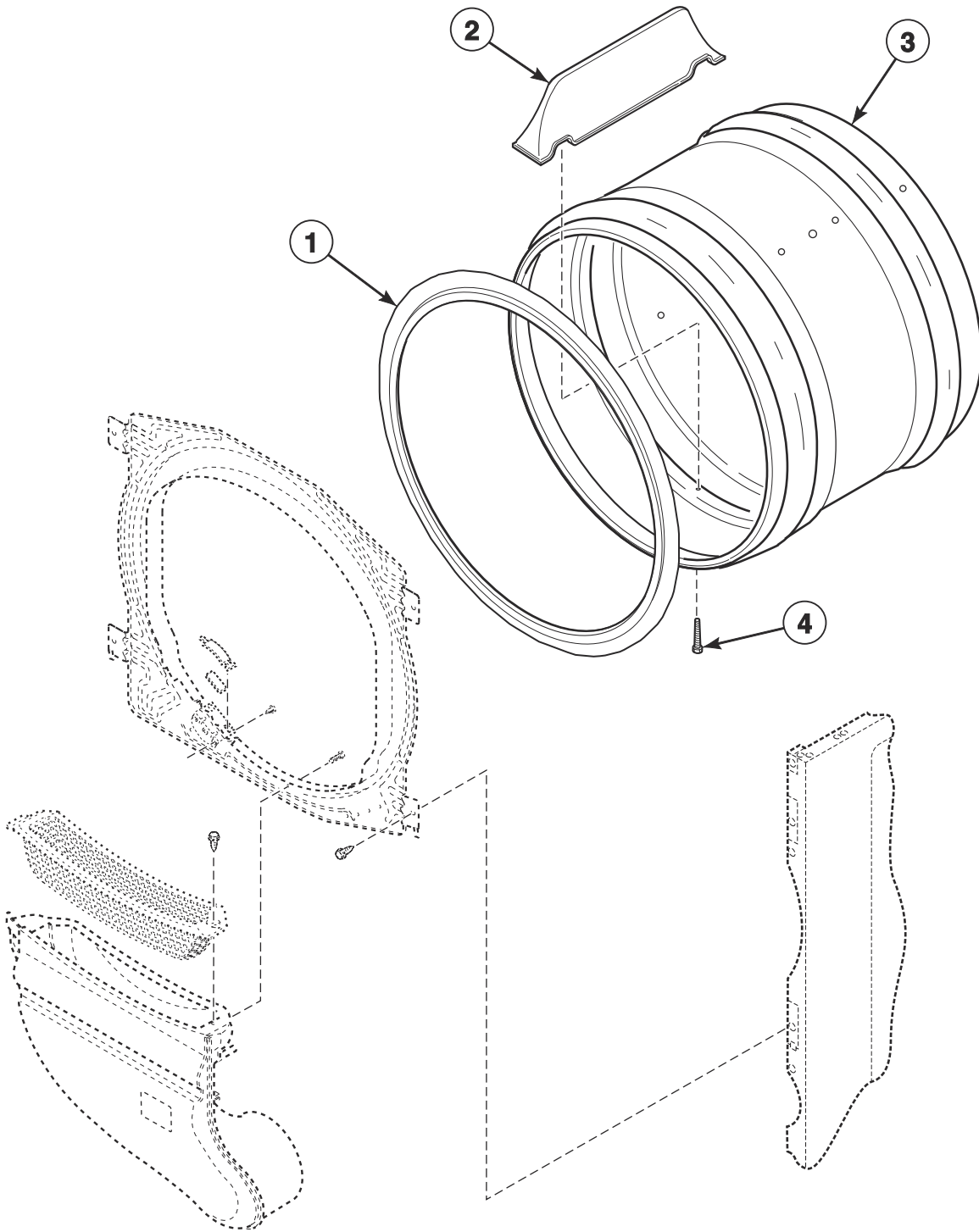
DRY1910PB\_515203



## Front Bulkhead, Air Duct and Felt Seal (Drawing 2 of 2)

REF	PART NO.	DESCRIPTION	COMMENTS
1	D510189	Felt Pad	
2	D501285	Screw	
3	D503980LG	Lint Filter	Light gray; Starting Serial No. 1901000001
	D503980W	Lint Filter	White; Through Serial No. 1812999999

# Cylinder Assembly

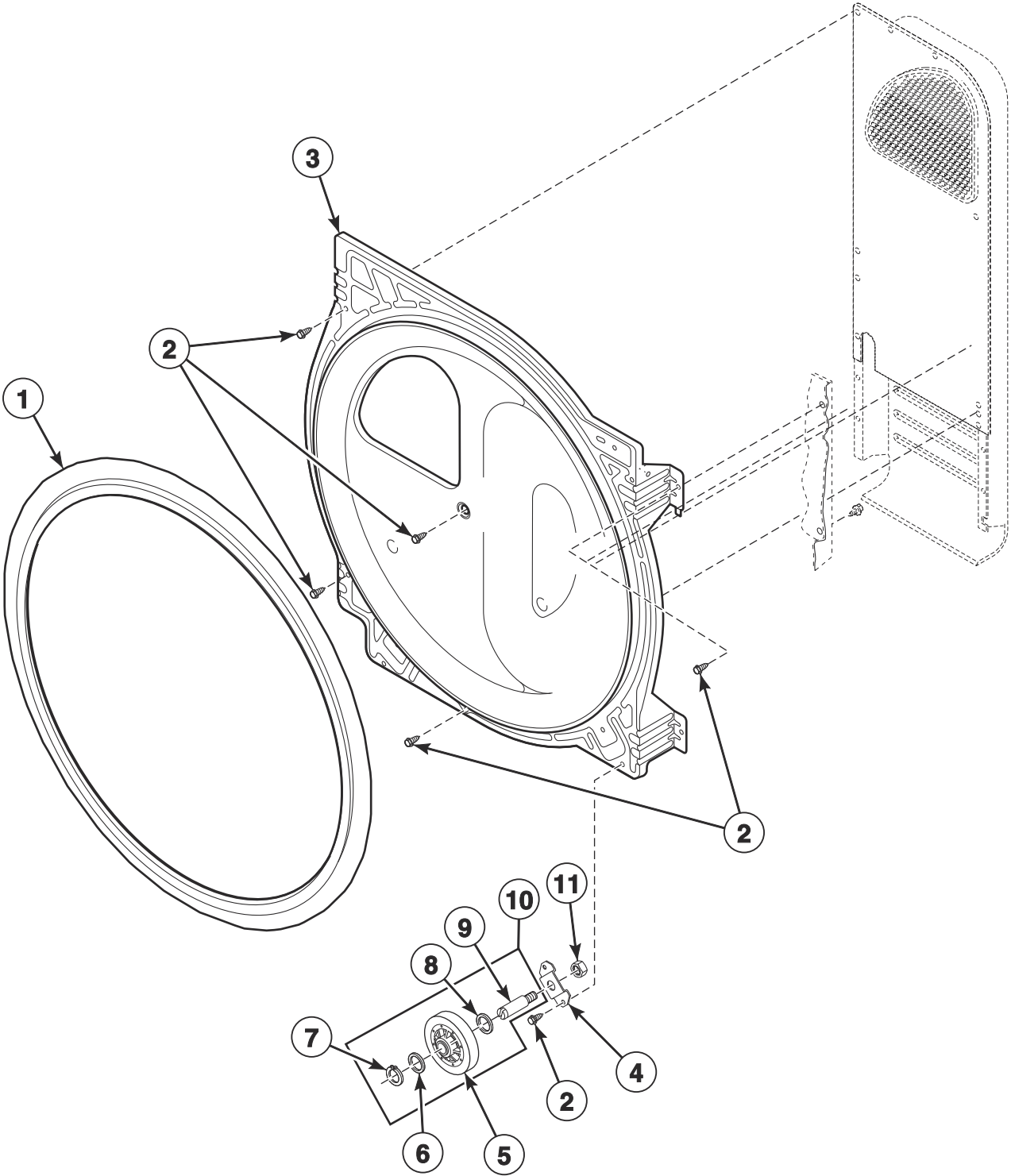


DRY1910PA\_515203

# Cylinder Assembly

REF	PART NO.	DESCRIPTION	COMMENTS
1	D510207P	Cylinder Seal Assembly	Apply adhesive when installing
	D511637P	Adhesive	Apply to cylinder seal
	RB170001	Seal Kit	Includes 2 cylinder seals, D510238P Blower Housing Seal and Adhesive
2	D510102LG	Cylinder Baffle	Light gray; Models BD3NGBSS403UN01, BD3NLBSS403UN01, HDENEAGS153CW01, HDENEAGS173CW01, HDENERGS153CW01, HDENERGS173CW01, HDENXAGS173CN01, HDENXAGW173CN01, HDENXAGS153CW01, HDENXAGS173CW01, HDENXRGS153CW01, HDENXRGS173CW01, HDENYAGS153CW01, HDENYAGS173CW01, HDENYBGS173CW01, HDENYRGS153CW01, HDENYRGS173CW01, HDGNXAGS113CN01, HDGNXAGW113CN01, JDEJGASW303EN01, JDEJGBSW303EN01, JDGJGASW303EN01, JDGJGBSW303EN01, ND3NLBSS403UN01, ND3NXASS403UN01, SDENEAGS153CW01, SDENEAGS173CW01, SDENERGS153CW02, SDENERGS173CW02, SDENXAGS153CW01, SDENXAGS173CN01, SDENXAGS173CW01, SDENXRGS153CW02, SDENXRGS173CW02, SDENYAGS153CW01, SDENYAGS173CW01, SDENYRGS153CW01, SDENYRGS173CW01 and SDGNXAGS113CN01
	D510102W	Cylinder Baffle	White; All other models
3	D505929LGP	Cylinder Assembly	Stainless steel; Includes item 2; Models BD3NGBSS403UN01, BD3NLBSS403UN01, JDEJGASW303EN01, JDEJGBSW303EN01, JDGJGASW303EN01, JDGJGBSW303EN01, ND3NLBSS403UN01 and ND3NXASS403UN01
	D510265LGP	Cylinder Assembly	Galvanized; Includes item 2; Models HDENEAGS153CW01, HDENEAGS173CW01, HDENERGS153CW01, HDENERGS173CW01, HDENXAGS173CN01, HDENXAGW173CN01, HDENXAGS153CW01, HDENXAGS173CW01, HDENXRGS153CW01, HDENXRGS173CW01, HDENYAGS153CW01, HDENYAGS173CW01, HDENYBGS173CW01, HDENYRGS153CW01, HDENYRGS173CW01, HDGNXAGS113CN01, HDGNXAGW113CN01, SDENEAGS153CW01, SDENEAGS173CW01, SDENERGS153CW02, SDENERGS173CW02, SDENXAGS153CW01, SDENXAGS173CN01, SDENXAGS173CW01, SDENXRGS153CW02, SDENXRGS173CW02, SDENYAGS153CW01, SDENYAGS173CW01, SDENYRGS153CW01, SDENYRGS173CW01 and SDGNXAGS113CN01
	D510265WP	Cylinder Assembly	Galvanized; Includes item 2; All other models
4	62588	Screw	

# Rear Bulkhead, Felt Seal and Cylinder Roller



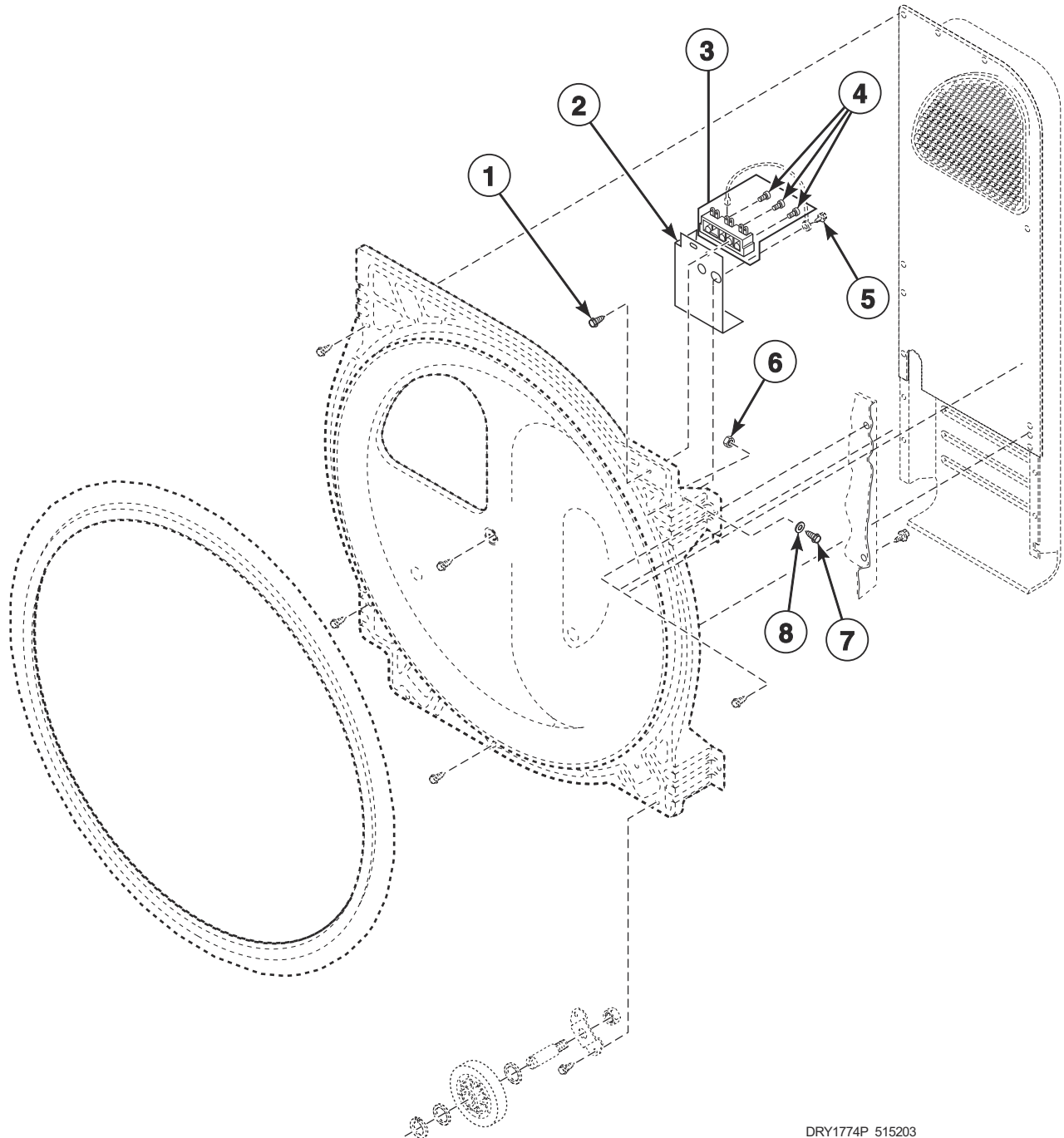
DRY2138P\_515203

## Rear Bulkhead, Felt Seal and Cylinder Roller

REF	PART NO.	DESCRIPTION	COMMENTS
1	D510207P	Cylinder Seal Assembly	Apply adhesive when installing
	D511637P	Adhesive	Apply to cylinder seal
	RB170001	Seal Kit	Includes 2 cylinder seals, D510238P Blower Housing Seal and Adhesive
2	M405188	Screw	Models BD3NGBSS403UN01, BD3NLBSS403UN01, HDENXAGS173CN01, HDENXAGW173CN01, HDGNXAGS113CN01, HDGNXAGW113CN01, JDEJGASW303EN01, JDEJGBSW303EN01, JDGJGASW303EN01, JDGJGBSW303EN01, ND3NLBSS403UN01, ND3NXASS403UN01, SDENXAGS173CN01 and SDGNXAGS113CN01
	D503688	Screw	All other models
3	D518128	Rear Bulkhead	Stainless steel; Includes item 1; Models BD3NGBSS403UN01, BD3NLBSS403UN01, HDENXAGS173CN01, HDENXAGW173CN01, HDGNXAGS113CN01, HDGNXAGW113CN01, JDEJGASW303EN01, JDEJGBSW303EN01, JDGJGASW303EN01, JDGJGBSW303EN01, ND3NLBSS403UN01, ND3NXASS403UN01, SDENXAGS173CN01 and SDGNXAGS113CN01
	D511082P	Rear Bulkhead Assembly	Galvanized; Includes item 1; All other models
4	D510100	Cylinder Roller Bracket	
5	D510708P	Cylinder Roller	
6	52549	Washer	
7	23748	Retaining Ring	
8	D504082	Washer	
9	56461P	Shaft	
10	RB170002	Roller Kit	Includes items 5-9
11	56156	Nut	

# Terminal Block

Models HDENEAGS153CW01, HDENEAGS173CW01, HDENERGS153CW01, HDENERGS173CW01, HDENXAGS153CW01, HDENXAGS173CN01, HDENXAGS173CW01, HDENXAGS543DW01, HDENXAGW173CN01, HDENXRGS153CW01, HDENXRGS173CW01, HDENYAGS153CW01, HDENYAGS173CW01, HDENYBGS173CW01, HDENYRGS153CW01, HDENYRGS173CW01, HDGNYBGS113CW01, JDEJEAGW303EW01, JDEJGAGW303EW01, JDEJGASW303EN01, JDEJGBGW303EW01, JDEJGBSW303EN01, JDEJRAGW303EW01, JDEJXAGW303EW01, JDGJGAGW303EW01, JDGJGASW303EN01, JDGJRAGW303EW01, JDGJXAGW303EW01, NDENXAGS173MW01, NDENXAGS303UW01, PDEJGBGS303UG01, PDEJGBGS543ZG01, PDEJXAGS434AG01, SDENEAGS153CW01, SDENEAGS173CW01, SDENERGS153CW02, SDENERGS173CW02, SDENXAGS153CW01, SDENXAGS173CN01, SDENXAGS173CW01, SDENXAGS433AW01, SDENXAGS543DW01, SDENXAGS543RW01, SDENXRGS153CW02, SDENXRGS173CW02, SDENXRGS433AW01, SDENXRGS433LW01, SDENYAGS153CW01, SDENYAGS173CW01, SDENYRGS153CW01, SDENYRGS173CW01, SDEYRGS303ZW01, SDEWXAGS433LW01, SDGNYAGS113CW01 and SDGNYRGS113CW01



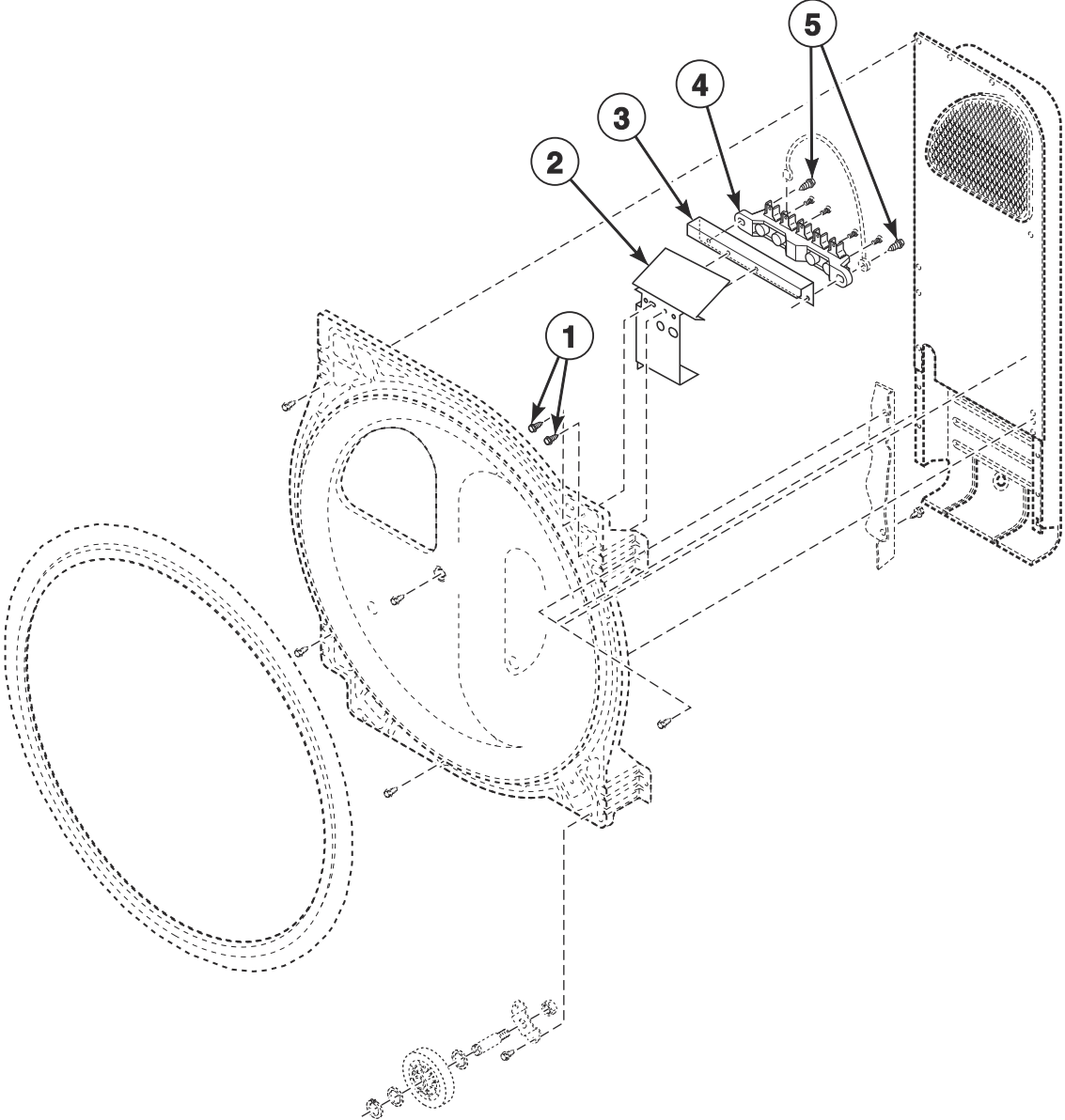
DRY1774P\_515203

# Terminal Block

REF	PART NO.	DESCRIPTION	COMMENTS
1	D501285	Screw	
2	D517715	Terminal Block Shield	Models HDENXAGS543DW01, JDEJEAGW303EW01, JDEJGAGW303EW01, JDEJGBGW303EW01, JDEJGBSW303EN01, JDEJRAGW303EW01, JDEJXAGW303EW01, JDGJGASW303EN01, JDGJRAGW303EW01, NDENXAGS303UW01, PDEJGBGS303UG01, PDEJGBGS543ZG01, PDEJXAGS434AG01, SDENXAGS543DW01, SDENXAGS543RW01, SDENXRGS433AW01, SDENXRGS433LW01, SDENYRGS303ZW01 and SDEWXAGS433LW01
	D510237	Terminal Block Shield	All other models; Through Serial No. 1903000001
3	D510190P	Terminal Block Assembly	Includes 3 of item 4
4	61199	Screw	
5	D503688	Screw	
6	28447	Nut	
7	28448	Screw	
8	28449	Washer	

# Terminal Block - 3 Phase Electric Models

Models ND3NLBGS403NW22 and TD3NGBGS403NW36



DRY9B\_515203

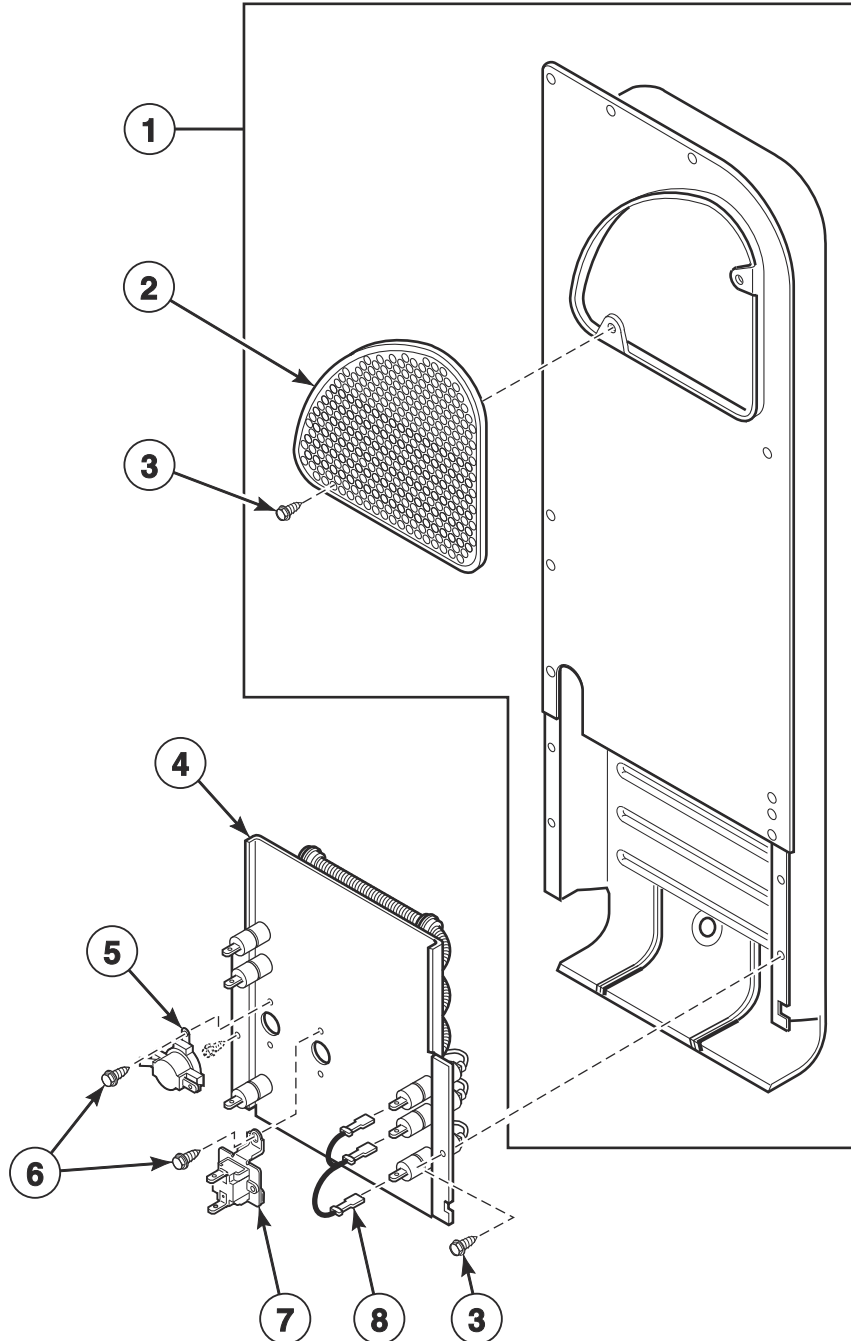


# Terminal Block - 3 Phase Electric Models

REF	PART NO.	DESCRIPTION	COMMENTS
1	20530	Screw	
2	D517715	Terminal Block Shield	
3	D505875	Terminal Block Support Bracket	
4	D505876	Terminal Block Assembly	
5	D503661	Screw	

# Heater Duct Assembly - 3 Phase Electric Models

Models BD3NGBGS403UW01, BD3NGBSS403UN01, BD3NLBGS403UW01, BD3NLBSS403UN01, BD3NXAGS403UW01, ND3NLBGS403NW22, ND3NLBGS403ZW01, ND3NLBSS403UN01, ND3NXASS403UN01, PD3JGBGS403UG01, PD3JXAGS403UG01, SD3JGBGS403UW01 and TD3NGBGS403NW36



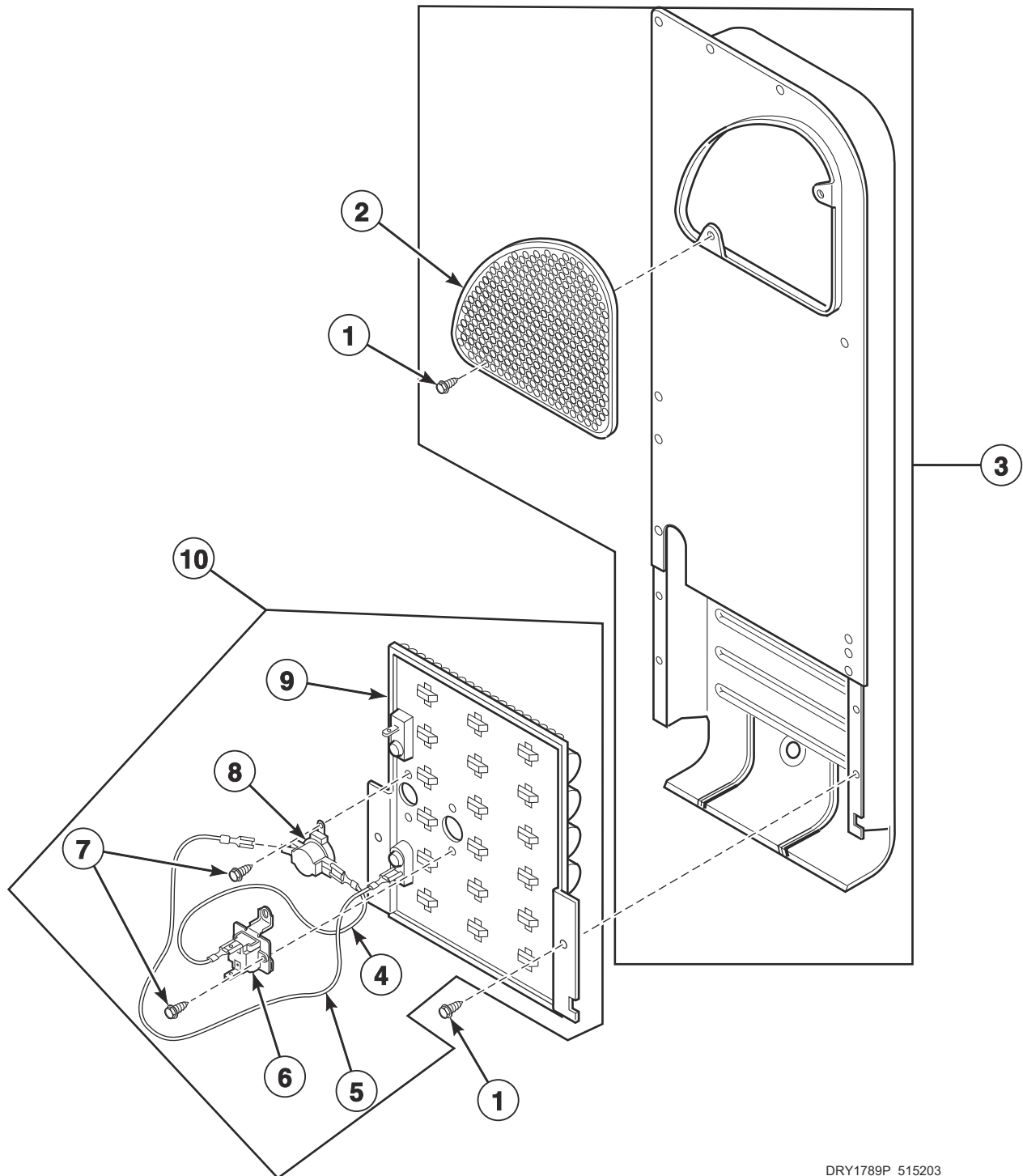
DRY2360P\_515203

## Heater Duct Assembly - 3 Phase Electric Models

REF	PART NO.	DESCRIPTION	COMMENTS
	756P3	Conversion Kit	400 Volt, 4 wire WYE to 240 Volt, 3 wire Delta
1	D510025P	Heater Duct Assembly	Includes items 2 and 3
2	D500820	Outlet Cover	
	D515573	Outlet Cover	Black
3	D503688	Screw	
4	D511014P	Heater	400 Volt/3 Phase
5	D510701	Limit Thermostat	
6	23222	Screw	
7	D511412	Thermal Fuse Assembly	
8	D511270	Jumper Wire Assembly	3 Phase

# Heater Duct and Element Assembly - 1 Phase Electric Models

Models HDENEAGS153CW01, HDENEAGS173CW01, HDENERGS153CW01, HDENERGS173CW01, HDENXAGS153CW01, HDENXAGS173CN01, HDENXAGS173CW01, HDENXAGS543DW01, HDENXAGW173CN01, HDENXRGS153CW01, HDENXRGS173CW01, HDENYAGS153CW01, HDENYAGS173CW01, HDENYBGS173CW01, HDENYRGS153CW01, HDENYRGS173CW01, JDEJEAGW303EW01, JDEJGAGW303EW01, JDEJGASW303EN01, JDEJGBGW303EW01, JDEJGBSW303EN01, JDEJRAGW303EW01, JDEJXAGW303EW01, JDGJRAGW303EW01, NDENXAGS173MW01, NDENXAGS303UW01, PDEJGBGS303UG01, PDEJGBGS543ZG01, PDEJXAGS434AG01, SDENEAGS153CW01, SDENEAGS173CW01, SDENERGS153CW02, SDENERGS173CW02, SDENXAGS153CW01, SDENXAGS173CN01, SDENXAGS173CW01, SDENXAGS433AW01, SDENXAGS543DW01, SDENXAGS543RW01, SDENXRGS153CW02, SDENXRGS173CW02, SDENXRGS433AW01, SDENXRGS433LW01, SDENYAGS153CW01, SDENYAGS173CW01, SDENYRGS153CW01, SDENYRGS173CW01, SDENYRGS303NW22, SDENYRGS303ZW01 and SDEWXAGS433LW01



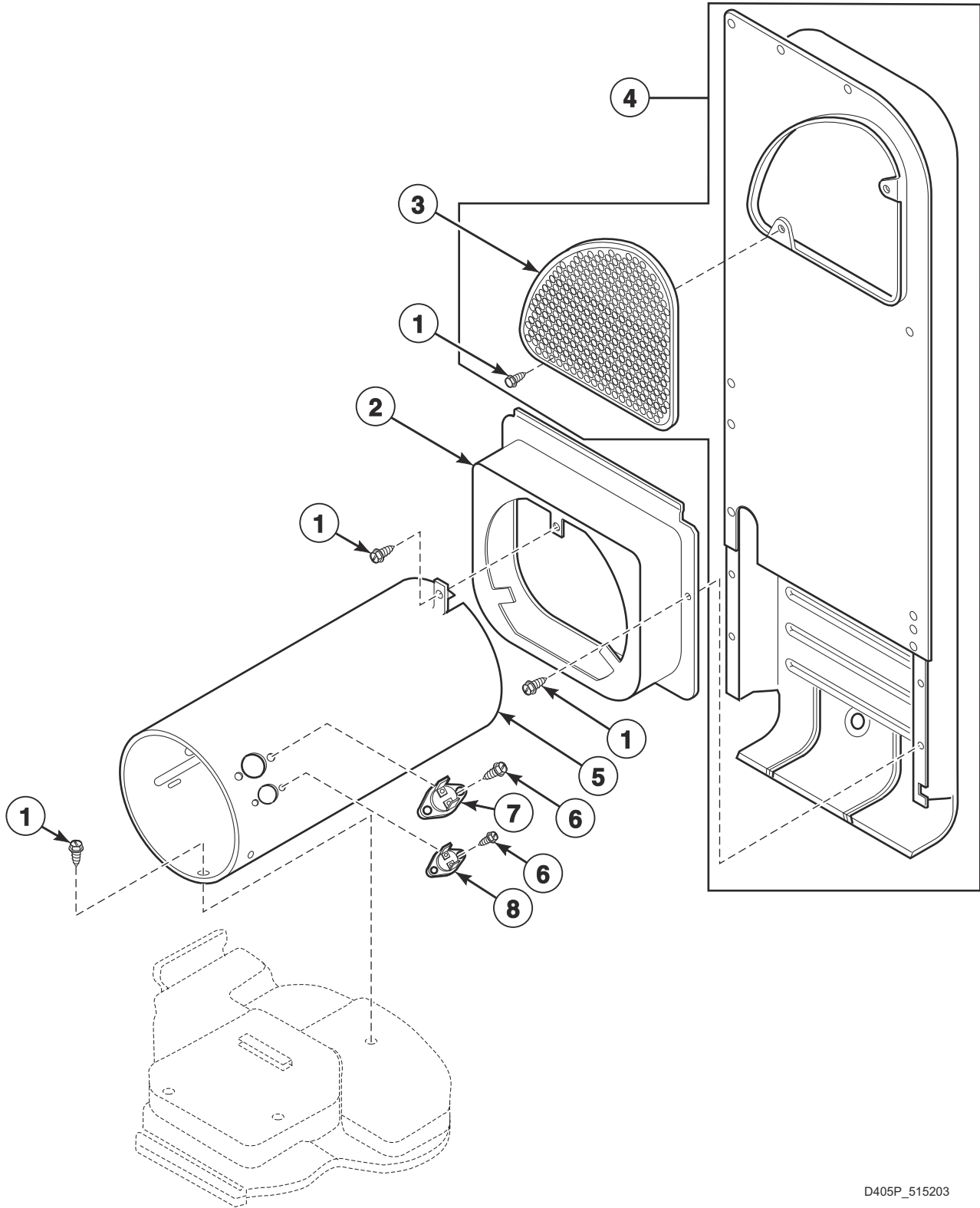
DRY1789P\_515203

# Heater Duct and Element Assembly - 1 Phase Electric Models

REF	PART NO.	DESCRIPTION	COMMENTS
1	D503688	Screw	
2	D514475	Outlet Cover	Models PDEJXAGS434AG01, SDENXAGS433AW01, SDENXRGS433AW01 and SDENXRGS433LW01
	D500820	Outlet Cover	All other models
	D515573	Outlet Cover	All other models; Black
3	D510025P	Heater Duct Assembly	Includes items 1 and 2
4	D510528	Wire Assembly	Orange; Thermostat jumper; Attaches to heater assembly
5	D510527	Wire Assembly	Black; Fuse jumper; Attaches to heater assembly
6	D511412	Thermal Fuse Assembly	
7	23222	Screw	
8	D510701	Limit Thermostat	
9	D510329P	Heater Assembly	240 Volt/60 Hertz; 5.35 kW; Models HDENXAGS543DW01, NDENXAGS173MW01, PDEJGBGS543ZG01, SDENXAGS543DW01 and SDENXAGS543RW01
	D510330P	Heater Assembly	208 Volt/60 Hertz; 4.25 kW; Models HDENEAGS153CW01, HDENERGS153CW01, HDENXAGS153CW01, HDENXRGS153CW01, HDENYAGS153CW01, HDENYRGS153CW01, SDENEAGS153CW01, SDENERGS153CW02, SDENXAGS153CW01, SDENXRGS153CW02, SDENYAGS153CW01 and SDENYRGS153CW01
	D510326P	Heater Assembly	240 Volt/50 Hertz; 4.8 kW; Models JDEJEAGW303EW01, JDEJGAGW303EW01, JDEJGASW303EN01, JDEJGBGW303EW01, JDEJGBSW303EN01, JDEJRAGW303EW01, JDEJXAGW303EW01, JDGJRAGW303EW01, NDENXAGS303UW01, PDEJGBGS303UG01, SDENYRGS303NW22 and SDENYRGS303ZW01
	D510327P	Heater Assembly	240 Volt/50 Hertz; 4 kW; Models PDEJXAGS434AG01, SDENXAGS433AW01, SDENXRGS433AW01, SDENXRGS433LW01 and SDEWXAGS433LW01
	D510324P	Heater Assembly	240 Volt/60 Hertz; 5 kW; All other models
10	965P3	Heater Kit	208 Volt/60 Hertz; 4.25 kW; Includes items 4-9; Models HDENEAGS153CW01, HDENERGS153CW01, HDENXAGS153CW01, HDENXRGS153CW01, HDENYAGS153CW01, HDENYRGS153CW01, SDENEAGS153CW01, SDENERGS153CW02, SDENXAGS153CW01, SDENXRGS153CW02, SDENYAGS153CW01 and SDENYRGS153CW01
	61927	Heater Kit Assembly	240 Volt/60 Hertz; 5 kW; Includes items 4-9; Models HDENEAGS173CW01, HDENERGS173CW01, HDENXAGS173CN01, HDENXAGW173CN01, HDENXAGS173CW01, HDENXRGS173CW01, HDENYAGS173CW01, HDENYBGS173CW01, HDENYRGS173CW01, SDENEAGS173CW01, SDENERGS173CW02, SDENXAGS173CN01, SDENXAGS173CW01, SDENXRGS173CW02, SDENYAGS173CW01 and SDENYRGS173CW01
	964P3	Heater Kit	240 Volt/60 Hertz; 5.35 kW; Models HDENXAGS543DW01, NDENXAGS173MW01, PDEJGBGS543ZG01, SDENXAGS543DW01 and SDENXAGS543RW01
	61929	Heater Kit Assembly	240 Volt/50 Hertz; 4.8 kW; Includes items 4-9; Models JDEJEAGW303EW01, JDEJGAGW303EW01, JDEJGASW303EN01, JDEJGBGW303EW01, JDEJGBSW303EN01, JDEJRAGW303EW01, JDEJXAGW303EW01, JDGJRAGW303EW01, NDENXAGS303UW01, PDEJGBGS303UG01, PDEJXAGS434AG01, SDENYRGS303NW22 and SDENYRGS303ZW01
	61930	Heater Kit Assembly	240 Volt/50 Hertz; 4 kW; Includes items 4-9; Models SDENXAGS433AW01, SDENXRGS433AW01, SDENXRGS433LW01 and SDEWXAGS433LW01

# Heater Duct Assembly

Gas Models



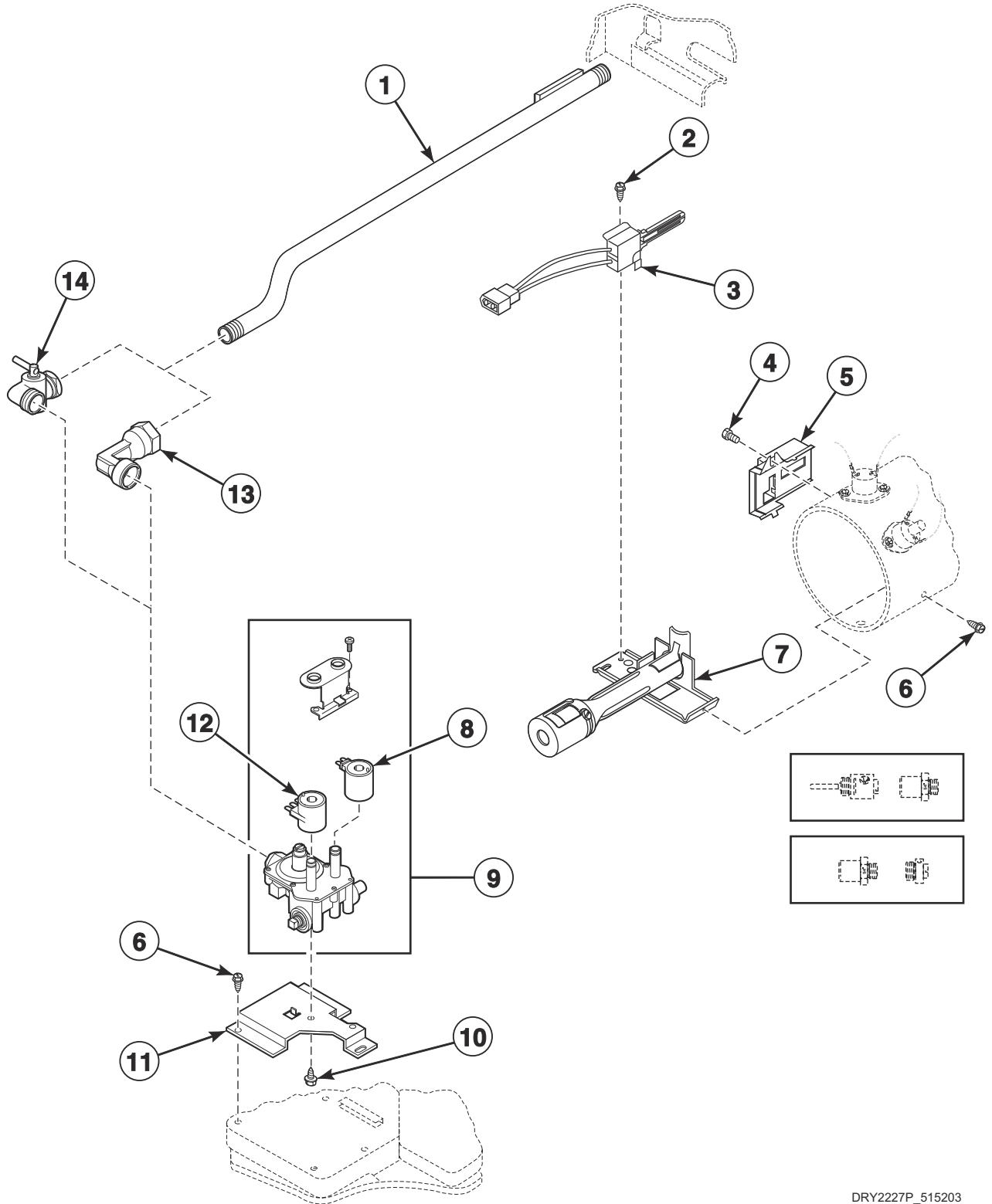
D405P\_515203

# Heater Duct Assembly

REF	PART NO.	DESCRIPTION	COMMENTS
1	D503688	Screw	
2	D510101	Heat Duct Shroud	
3	D500820	Outlet Cover	
	D515573	Outlet Cover	Black
4	D510025P	Heater Duct Assembly	Includes items 1 and 3
5	D510132	Combustion Duct	Double thermostat; Models BDGNGBGS303EW01, BDGNLBGS303EW01, BDGNXAGS303EW01, HDGNXAGS123DW01, HDGNXAGS543DW01, JDGJEAGW303EW01, JDGJGAGW303EW01, JDGJGASW303EN01, JDGJGBGW303EW01, JDGJGBSW303EN01, JDGJRAGW303EW01, JDGJXAGW303EW01, NDGNXAGS303EW01, NDGNXAGS303ZW38, PDGJGBGS303UG01, PDGJGBGS543ZG01, PDGJXAGS303UG01, PDGJXAGS304AG01, PDGJXAGS543ZG01, SDGNXAGS123DW01, SDGNXAGS303AW01, SDGNXAGS543DW01, SDGNXRGs303AW01, SDLNXRGs303LW01, SDLNXRGs543NW23, SDLNXRGs543PW01, SDMNXRGs083JW01 and SDMNXRGs103JW01
	D510131	Combustion Duct	Single thermostat; All other models
6	51782	Screw	
7	D510702	Limit Thermostat	Black; Auto reset
8	D510703	Thermostat	Manual reset; Models BDGNGBGS303EW01, BDGNLBGS303EW01, BDGNXAGS303EW01, HDGNXAGS123DW01, HDGNXAGS543DW01, JDGJEAGW303EW01, JDGJGAGW303EW01, JDGJGASW303EN01, JDGJGBGW303EW01, JDGJGBSW303EN01, JDGJRAGW303EW01, JDGJXAGW303EW01, NDGNXAGS303EW01, NDGNXAGS303ZW38, PDGJGBGS303UG01, PDGJGBGS543ZG01, PDGJXAGS303UG01, PDGJXAGS304AG01, PDGJXAGS543ZG01, SDGNXAGS123DW01, SDGNXAGS303AW01, SDGNXAGS543DW01, SDGNXRGs303AW01, SDLNXRGs303LW01, SDLNXRGs543NW23, SDLNXRGs543PW01, SDMNXRGs083JW01 and SDMNXRGs103JW01

# Gas Valve and Igniter - Through Serial No. 1908000001

Gas Models Except SDMNXRGS083JW01 and SDMNXRGS103JW01



DRY2227P\_515203

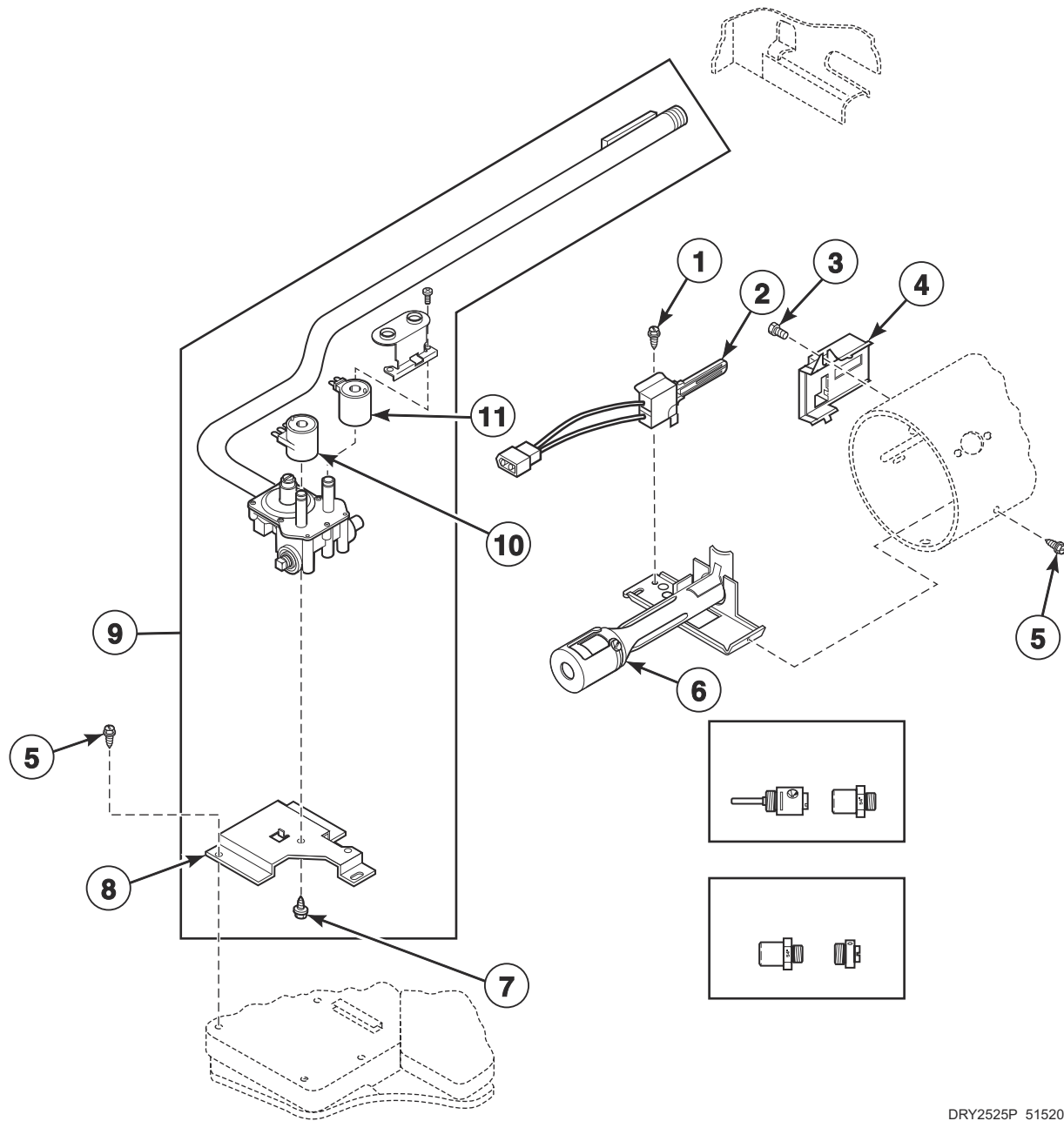


# Gas Valve and Igniter - Through Serial No. 1908000001

REF	PART NO.	DESCRIPTION	COMMENTS
1	D510204	Lead-In Pipe Assembly	
2	51782	Screw	
3	D510184P	Igniter and Bracket Assembly	
4	23222	Screw	
5	D510213	Sensor	
6	D503688	Screw	
7	D510149P	Burner Assembly	
8	59063B	Secondary Coil	50 Hertz; Models BDGNGBGS303EW01, BDGNLBGS303EW01, BDGNXAGS303EW01, JDGJEAGW303EW01, JDGJGAGW303EW01, JDGJGASW303EN01, JDGJGBGW303EW01, JDGJGBSW303EN01, JDGJRAGW303EW01, JDGJXAGW303EW01, NDGNXAGS303EW01, PDGJGBGS303UG01, PDGJXAGS303UG01, PDGJXAGS304AG01, SDGNXAGS303AW01, SDGNXRGs303AW01 and SDLNXRGs303LW01
	58804B	Secondary Coil	60 Hertz; All other models
9	59063P	Gas Valve Assembly	50 Hertz; 20,000 Btu; N.G.; Models BDGNGBGS303EW01, BDGNLBGS303EW01, BDGNXAGS303EW01, JDGJEAGW303EW01, JDGJGAGW303EW01, JDGJGASW303EN01, JDGJGBGW303EW01, JDGJGBSW303EN01, JDGJRAGW303EW01, JDGJXAGW303EW01, NDGNXAGS303EW01, PDGJGBGS303UG01 and PDGJXAGS303UG01
	60443P	Valve Assembly	50 Hertz; 25,000 Btu; N.G.; Models NDGNXAGS303ZW38, PDGJXAGS304AG01, SDGNXAGS303AW01 and SDGNXRGs303AW01
	D515490	Gas Valve Assembly	50 Hertz; 25,000 Btu; L.P.; Model SDLNXRGs303LW01
	D513631	Gas Valve Assembly	60 Hertz; 22,500 Btu; L.P.; Models SDLNXRGs543NW23 and SDLNXRGs543PW01
	60353P	Gas Valve Assembly	60 Hertz; 25,000 Btu; N.G.; All other models
10	56124	Screw	
11	D510128	Gas Valve Mounting Bracket	
12	59063A	Booster and Holding Coil	50 Hertz; Models BDGNGBGS303EW01, BDGNLBGS303EW01, BDGNXAGS303EW01, JDGJEAGW303EW01, JDGJGAGW303EW01, JDGJGASW303EN01, JDGJGBGW303EW01, JDGJGBSW303EN01, JDGJRAGW303EW01, JDGJXAGW303EW01, NDGNXAGS303EW01, NDGNXAGS303ZW38, PDGJGBGS303UG01, PDGJXAGS303UG01, PDGJXAGS304AG01, SDGNXAGS303AW01, SDGNXRGs303AW01 and SDLNXRGs303LW01
	58804A	Booster and Holding Coil	60 Hertz; All other models
13	D513072	Elbow	Models JDGJRAGW303EW01, SDLNXRGs543NW23 and SDLNXRGs543PW01
14	D510205	Elbow Shut-Off Valve	All models except JDGJRAGW303EW01, SDLNXRGs543NW23 and SDLNXRGs543PW01

# Gas Valve and Igniter - Starting Serial No. 1908000001

Gas Models Except SDMNXRGS083JW01 and SDMNXRGS103JW01



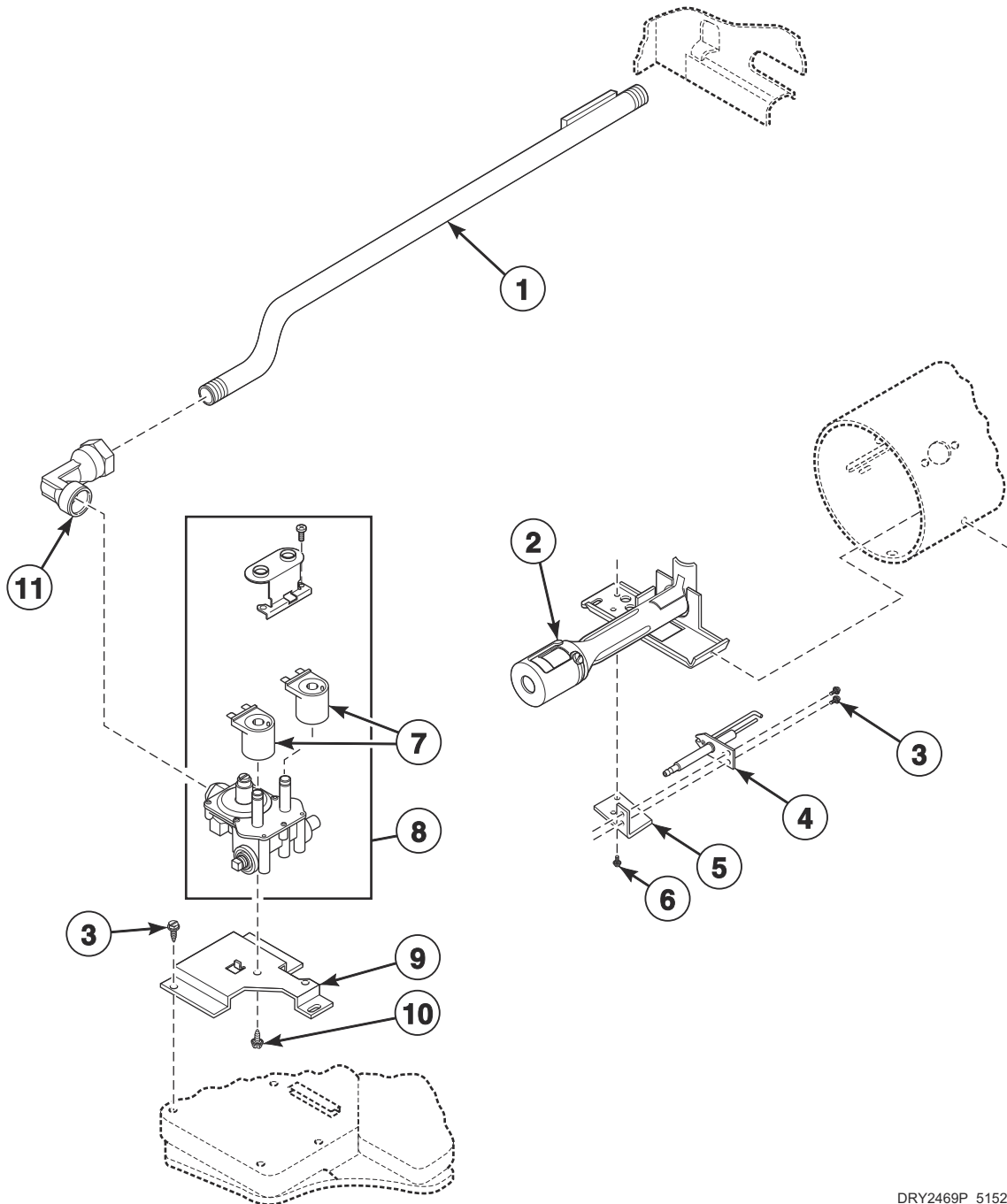
DRY2525P\_515203

# Gas Valve and Igniter - Starting Serial No. 1908000001

REF	PART NO.	DESCRIPTION	COMMENTS
1	51782	Screw	
2	D510184P	Igniter and Bracket Assembly	
3	23222	Screw	
4	D510213	Sensor	
5	D503688	Screw	
6	D510149P	Burner Assembly	
7	56124	Screw	
8	D510128	Gas Valve Mounting Bracket	
9	D517607	Gas Valve, Bracket and Pipe Assembly	50 Hertz; 20,000 Btu; N.G.; Models BDGNGBGS303EW01, BDGNLBGS303EW01, BDGNXAGS303EW01, JDGJEAGW303EW01, JDGJGAGW303EW01, JDGJGASW303EN01, JDGJGBGW303EW01, JDGJGBSW303EN01, JDGJRAGW303EW01, JDGJXAGW303EW01, NDGNXAGS303EW01, PDGJGBGS303UG01 and PDGJXAGS303UG01
	D517608	Gas Valve, Bracket and Pipe Assembly	50 Hertz; 25,000 Btu; N.G.; Models NDGNXAGS303ZW38, PDGJXAGS304AG01, SDGNXAGS303AW01 and SDGNXRGS303AW01
	D517613	Gas Valve, Bracket and Pipe Assembly	50 Hertz; 25,000 Btu; L.P.; Model SDLNXRGS303LW01
	D517612	Gas Valve, Bracket and Pipe Assembly	60 Hertz; 22,500 Btu; L.P.; Models SDLNXRGS543NW23 and SDLNXRGS543PW01
	D517606	Gas Valve, Bracket and Pipe Assembly	60 Hertz; 25,000 Btu; N.G.; All other models
10	59063A	Booster and Holding Coil	50 Hertz; Models BDGNGBGS303EW01, BDGNLBGS303EW01, BDGNXAGS303EW01, JDGJEAGW303EW01, JDGJGAGW303EW01, JDGJGASW303EN01, JDGJGBGW303EW01, JDGJGBSW303EN01, JDGJRAGW303EW01, JDGJXAGW303EW01, NDGNXAGS303EW01, NDGNXAGS303ZW38, PDGJGBGS303UG01, PDGJXAGS303UG01, PDGJXAGS304AG01, SDGNXAGS303AW01, SDGNXRGS303AW01 and SDLNXRGS303LW01
	58804A	Booster and Holding Coil	60 Hertz; All other models
11	59063B	Secondary Coil	50 Hertz; Models BDGNGBGS303EW01, BDGNLBGS303EW01, BDGNXAGS303EW01, JDGJEAGW303EW01, JDGJGAGW303EW01, JDGJGASW303EN01, JDGJGBGW303EW01, JDGJGBSW303EN01, JDGJRAGW303EW01, JDGJXAGW303EW01, NDGNXAGS303EW01, PDGJGBGS303UG01, PDGJXAGS303UG01, PDGJXAGS304AG01, SDGNXAGS303AW01, SDGNXRGS303AW01 and SDLNXRGS303LW01
	58804B	Secondary Coil	60 Hertz; All other models

# Gas Valve - Through Serial No. 1908000001

Models SDMNXRGS083JW01 and SDMNXRGS103JW01



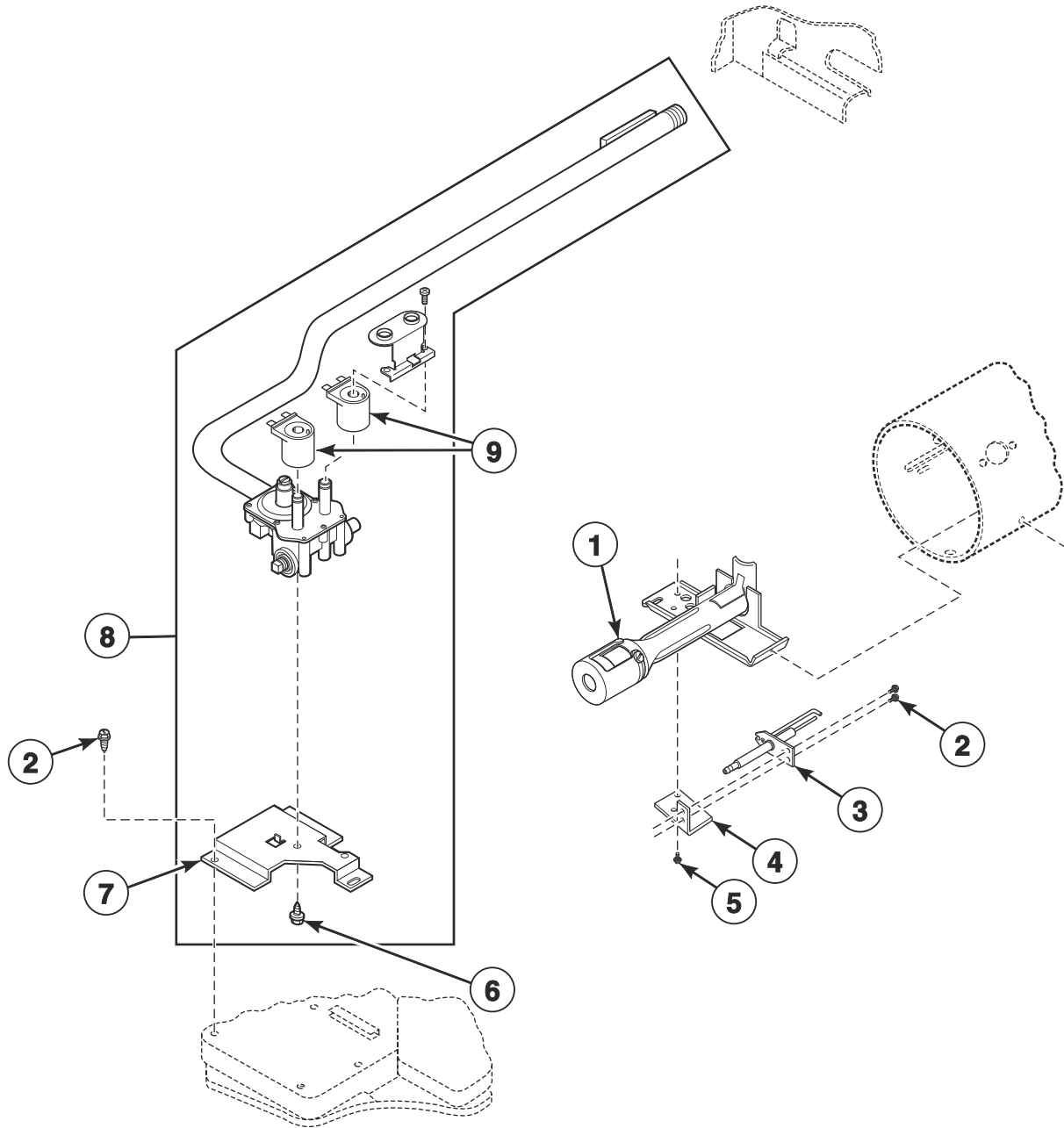
DRY2469P\_515203

## Gas Valve - Through Serial No. 1908000001

REF	PART NO.	DESCRIPTION	COMMENTS
1	D510204	Lead-In Pipe Assembly	
2	D510149P	Burner Assembly	
3	D503688	Screw	
4	44328701P	Spark Electrode	
5	D516238	Bracket	
6	51782	Screw	
7	D516699	Gas Valve Coil	24 Vac; 50-60 Hertz
8	D516182	Gas Valve Assembly	50-60 Hertz; 22,500 Btu; Natural Gas (N.G); Includes item 7
9	D510128	Gas Valve Mounting Bracket	
10	56124	Screw	
11	D513072	Elbow	

# Gas Valve - Starting Serial No. 1908000001

Models SDMNXRGS083JW01 and SDMNXRGS103JW01



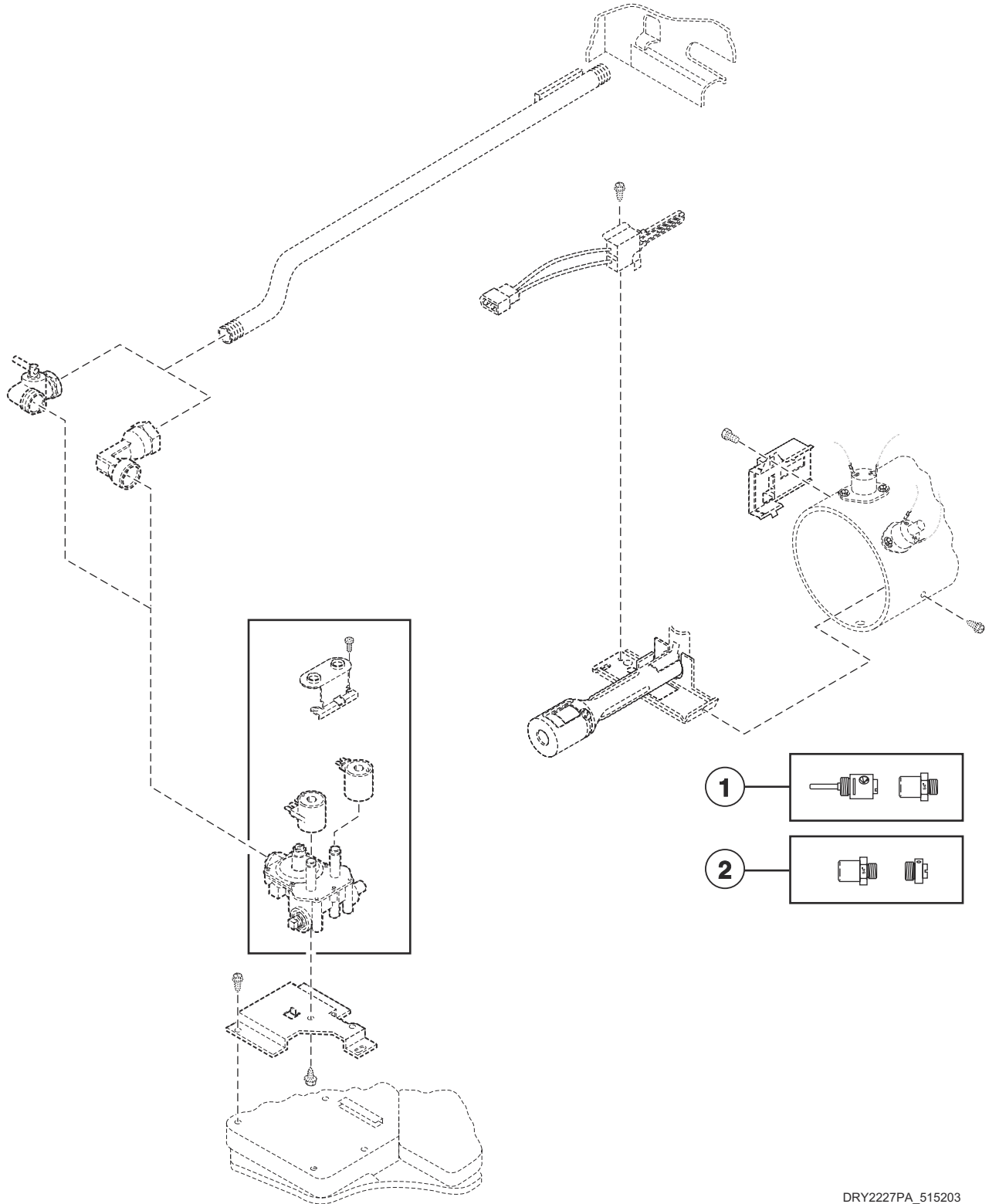
DRY2526P\_515203

## Gas Valve - Starting Serial No. 1908000001

REF	PART NO.	DESCRIPTION	COMMENTS
1	D510149P	Burner Assembly	
2	D503688	Screw	
3	44328701P	Spark Electrode	
4	D516238	Bracket	
5	51782	Screw	
6	56124	Screw	
7	D510128	Gas Valve Mounting Bracket	
8	D517610	Gas Valve, Bracket and Pipe Assembly	50-60 Hertz; 22,500 Btu; Natural Gas (N.G); Includes items 6, 7 and 9
9	D516699	Gas Valve Coil	24 Vac; 50-60 Hertz

# Gas Conversion Kits

Gas Models



DRY2227PA\_515203

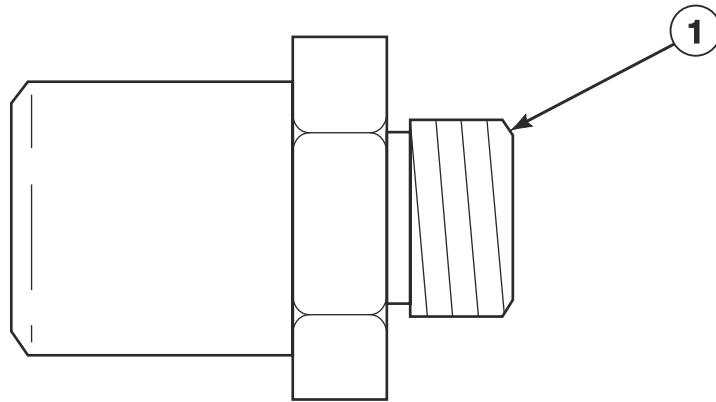


## Gas Conversion Kits

REF	PART NO.	DESCRIPTION	COMMENTS
1	649P3	L.P. Conversion Kit	Used to convert dryers from N.G. or Mixed Gas to L.P. for 22,500 Btu; Models SDLNXRGS543NW23, SDLNXRGS543PW01, SDMNXRGS083JW01 and SDMNXRGS103JW01
	599P3	L.P. Conversion Kit	Used to convert dryers from N.G. or Mixed Gas to L.P. for 20,000 Btu; Models BDGNGBGS303EW01, BDGNLBGS303EW01, BDGNXAGS303EW01, JDGJEAGW303EW01, JDGJGAGW303EW01, JDGJGASW303EN01, JDGJGBGW303EW01, JDGJGBSW303EN01, JDGJRAGW303EW01, JDGJXAGW303EW01, NDGNXAGS303EW01, PDGJGBGS303UG01 and PDGJXAGS303UG01
	458P3	L.P. Conversion Kit	Used to convert dryers from N.G. or Mixed Gas to L.P. for 25,000 Btu; All other models
2	650P3	N.G. Conversion Kit	Used to convert dryers from L.P. to N.G. or Mixed Gas for 22,500 Btu; Models SDLNXRGS543NW23, SDLNXRGS543PW01, SDMNXRGS083JW01 and SDMNXRGS103JW01
	402P3	N.G. Conversion Kit	Used to convert dryers from L.P. to N.G. or Mixed Gas for 20,000 Btu; Models BDGNGBGS303EW01, BDGNLBGS303EW01, BDGNXAGS303EW01, JDGJEAGW303EW01, JDGJGAGW303EW01, JDGJGASW303EN01, JDGJGBGW303EW01, JDGJGBSW303EN01, JDGJRAGW303EW01, JDGJXAGW303EW01, NDGNXAGS303EW01, PDGJGBGS303UG01 and PDGJXAGS303UG01
	459P3	N.G. Conversion Kit	Used to convert dryers from L.P. to N.G. or Mixed Gas for 25,000 Btu; All other models

# Burner Orifice Spuds - For Higher Elevations

Gas Models

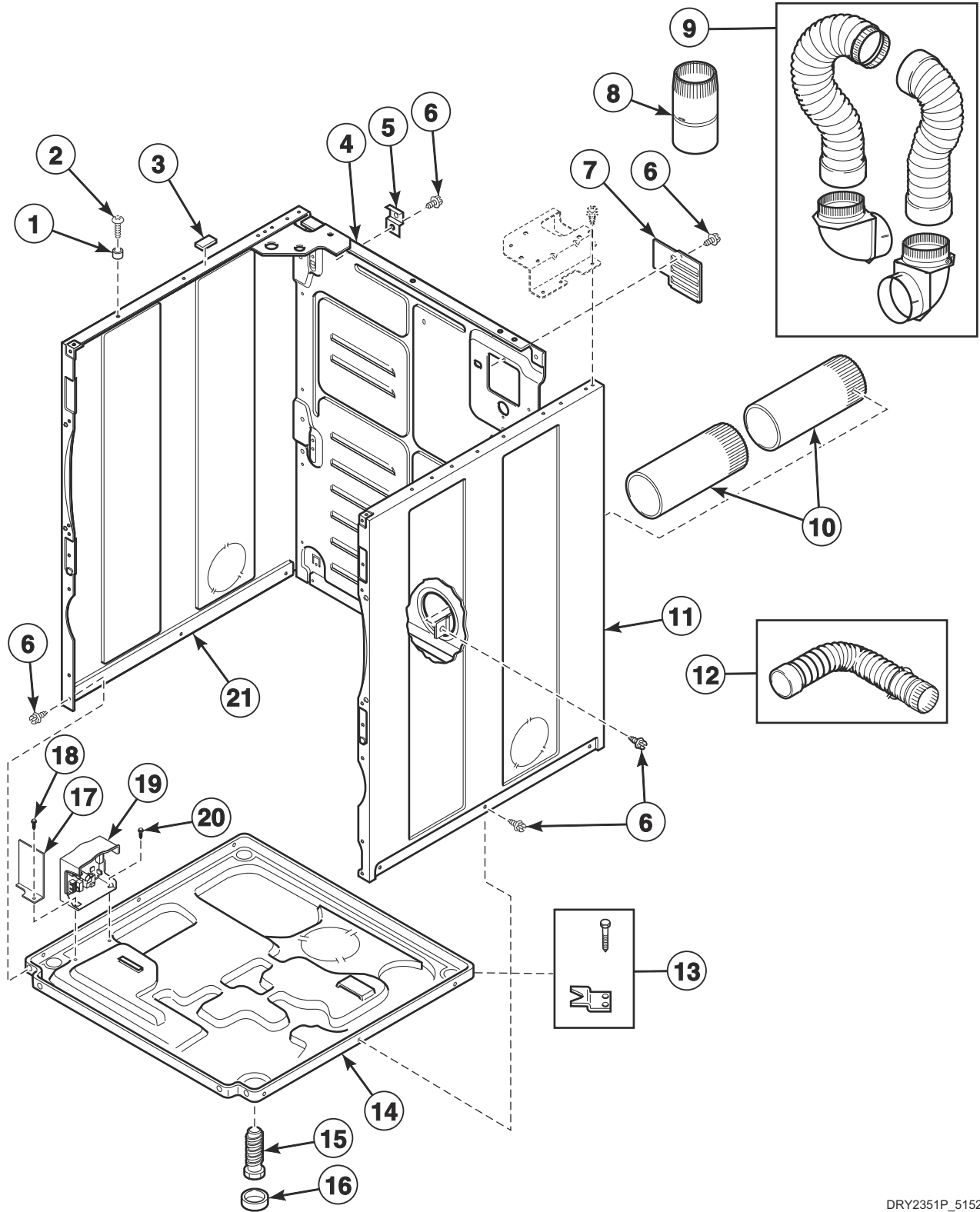


DRY2266P\_515203

## Burner Orifice Spuds - For Higher Elevations

REF	PART NO.	DESCRIPTION	COMMENTS
1	58755	L.P. Orifice	25,000 Btu; 7500-10,999 feet (2290-3354 m)
	D503786	L.P. Orifice	25,000 Btu; 11,000 feet (3355 m) and higher
	D503776	N.G. Orifice	25,000 Btu; 2000-2999 feet (610-914 m)
	D510517	N.G. Orifice	25,000 Btu; 3000-5499 feet (915-1679 m)
	D503778	N.G. Orifice	25,000 Btu; 5500-6999 feet (1680-2134 m)
	58719	Screw Orifice	25,000 Btu; 7000-8999 feet (2135-2744 m)
	D503779	N.G. Orifice	25,000 Btu; 9000-10,499 feet (2745-3199 m)
	D503780	N.G. Orifice	25,000 Btu; 10,500 feet (3200 m) and higher

# Cabinet, Exhaust Duct and Base



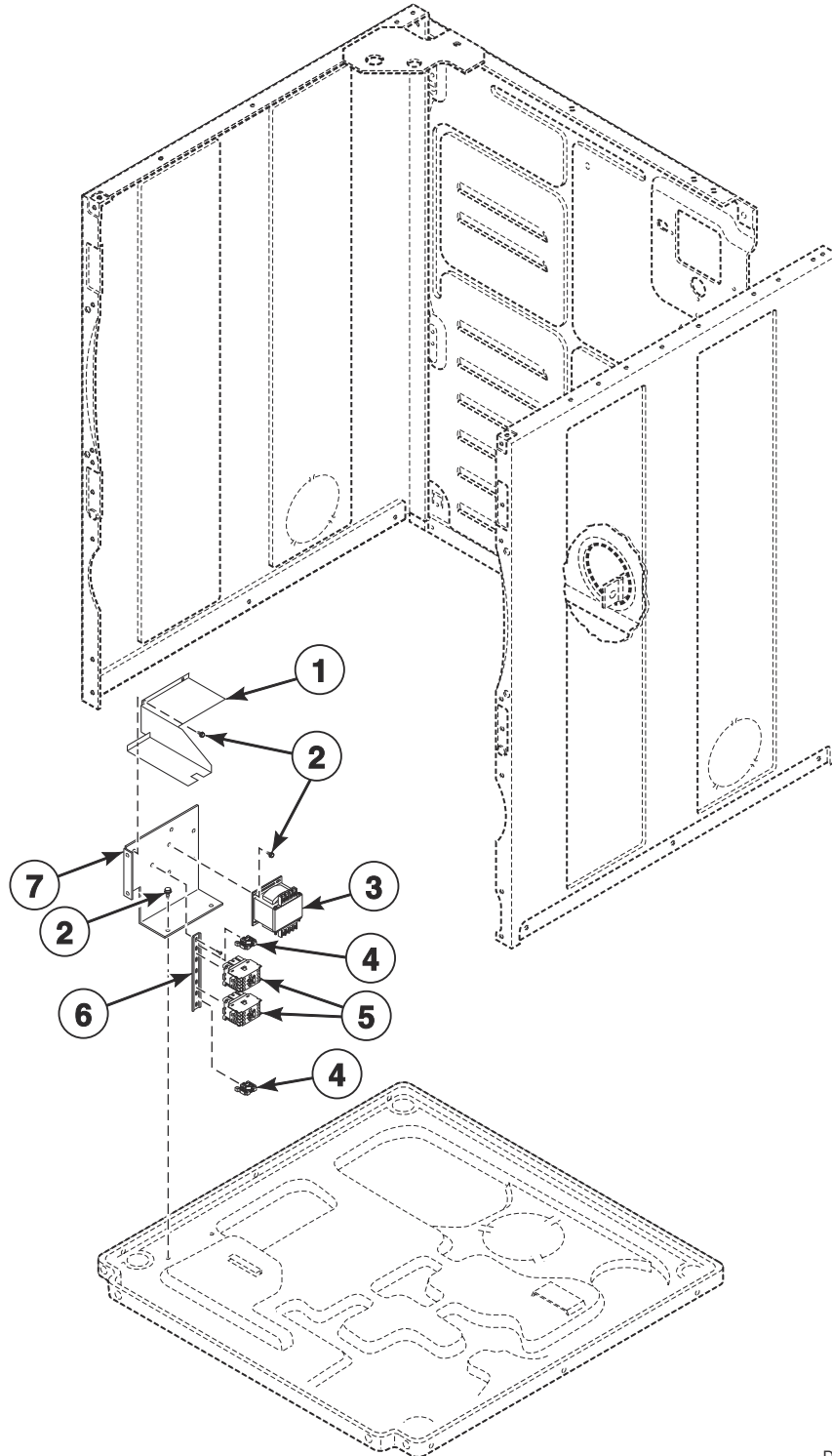
DRY2351P\_515203

## Cabinet, Exhaust Duct and Base

REF	PART NO.	DESCRIPTION	COMMENTS
	122P4P	Porcelain Touch-Up Paint	White
	F140938	Snap Bushing	Model JDGJRAGW303EW01
	D514351	Bracket Assembly	Model JDGJRAGW303EW01
1	56079	Panel Locator	
2	D512921	Screw	Use with stainless steel side panels
	39733	Screw	Use with painted side panels
3	56128	Bumper Pad	
4	D514632P	Cabinet Rear Panel	
5	D510136	Top Hinge	
6	D503688	Screw	
7	D510903	Access Panel Plate	
8	58786	Damper	Use when connecting to a manifold vent system
9	521P3	Flexible Venting Kit	
10	D516196	Exhaust Duct	Each dryer requires 2 pieces
11	D510002DGP	Cabinet Side Panel	Gray; Right; Models BD3NGBSS403UN01, BD3NLBSS403UN01, HDENXAGS173CN01, HDENXAGW173CN01, HDGNXAGS113CN01, HDGNXAGW113CN01, JDEJGBSW303EN01, JDGJGAGW303EW01, JDGJGASW303EN01, JDGJGBSW303EN01, ND3NLBSS403UN01, ND3NXASS403UN01, PD3JGBGS403UG01, PD3JXAGS403UG01, PDEJGBGS303UG01, PDEJGBGS543ZG01, PDEJXAGS434AG01, PDGJGBGS303UG01, PDGJGBGS543ZG01, PDGJXAGS303UG01, PDGJXAGS304AG01, PDGJXAGS543ZG01, SDENXAGS173CN01 and SDGNXAGS113CN01
	D510002WP	Cabinet Side Panel	White; Right; All other models
12	528P3	Directional Exhaust Kit	Used to vent dryer out the sides or bottom
13	526P3	Hold Down Kit	For mobile home installations
14	D514245	Dryer Base	
15	D510135	Leveling Leg	
16	D501855	Rubber Foot	
17	D514420	Output Board Shield	Models BD3NGBGS403UW01, BD3NGBSS403UN01, BD3NLBGS403UW01, BD3NLBSS403UN01, BD3NXAGS403UW01, HDENXAGS543DW01, JDEJEAGW303EW01, JDEJGBGW303EW01, JDEJGBSW303EN01, JDGJGAGW303EW01, JDGJGASW303EN01, ND3NLBGS403ZW01, ND3NLBSS403UN01, ND3NXASS403UN01, NDENXAGS303UW01, NDGNXAGS303ZW38, PD3JGBGS403UG01, PD3JXAGS403UG01, PDEJGBGS303UG01, PDEJGBGS543ZG01, PDEJXAGS434AG01, SD3JGBGS403UW01, SDENXAGS433AW01, SDENXAGS543DW01, SDENXAGS543RW01, SDENXRGs433AW01, SDENXRGs433LW01, SDENYRGs303ZW01, SDEWXAGS433LW01, SDMNXRGs083JW01 and SDMNXRGs103JW01
18	D514428	Screw	
19	D517269	Output Control Assembly	Models ND3NLBGS403NW22, SDENYRGs303NW22, SDLNXRGs543NW23 and TD3NGBGS403NW36
	D513797	Output Control Assembly	All other models
20	804667	Screw	
21	D510001DGP	Cabinet Side Panel	Gray; Left; Models BD3NGBSS403UN01, BD3NLBSS403UN01, HDENXAGS173CN01, HDENXAGW173CN01, HDGNXAGS113CN01, HDGNXAGW113CN01, JDEJGBSW303EN01, JDGJGAGW303EW01, JDGJGASW303EN01, JDGJGBSW303EN01, ND3NLBSS403UN01, ND3NXASS403UN01, PD3JGBGS403UG01, PD3JXAGS403UG01, PDEJGBGS303UG01, PDEJGBGS543ZG01, PDEJXAGS434AG01, PDGJGBGS303UG01, PDGJGBGS543ZG01, PDGJXAGS303UG01, PDGJXAGS304AG01, PDGJXAGS543ZG01, SDENXAGS173CN01 and SDGNXAGS113CN01
	D510001WP	Cabinet Side Panel	White; Left; All other models

# Contactor and Transformer

Models BD3NGBGS403UW01, BD3NGBSS403UN01, BD3NLBGS403UW01, BD3NLBSS403UN01, BD3NXAGS403UW01, BDGNGBGS303EW01, BDGNXAGS303EW01, HDGNXAGS543DW01, JDGJEAGW303EW01, JDGJGAGW303EW01, JDGJGBGW303EW01, JDGJGBSW303EN01, JDGJRAGW303EW01, JDGJXAGW303EW01, ND3NLBGS403NW22, ND3NLBGS403ZW01, ND3NLBSS403UN01, ND3NXASS403UN01, NDGNXAGS303EW01, NDGNXAGS303ZW38, PD3JGBGS403UG01, PD3JXAGS403UG01, PDGJGBGS303UG01, PDGJGBGS543ZG01, PDGJXAGS303UG01, PDGJXAGS304AG01, PDGJXAGS543ZG01, SD3JGBGS403UW01, SDGNXAGS303AW01, SDGNXAGS543DW01, SDGNXRGS303AW01, SDLNXRGS303LW01, SDLNXRGS543NW23, SDLNXRGS543PW01 and TD3NGBGS403NW36



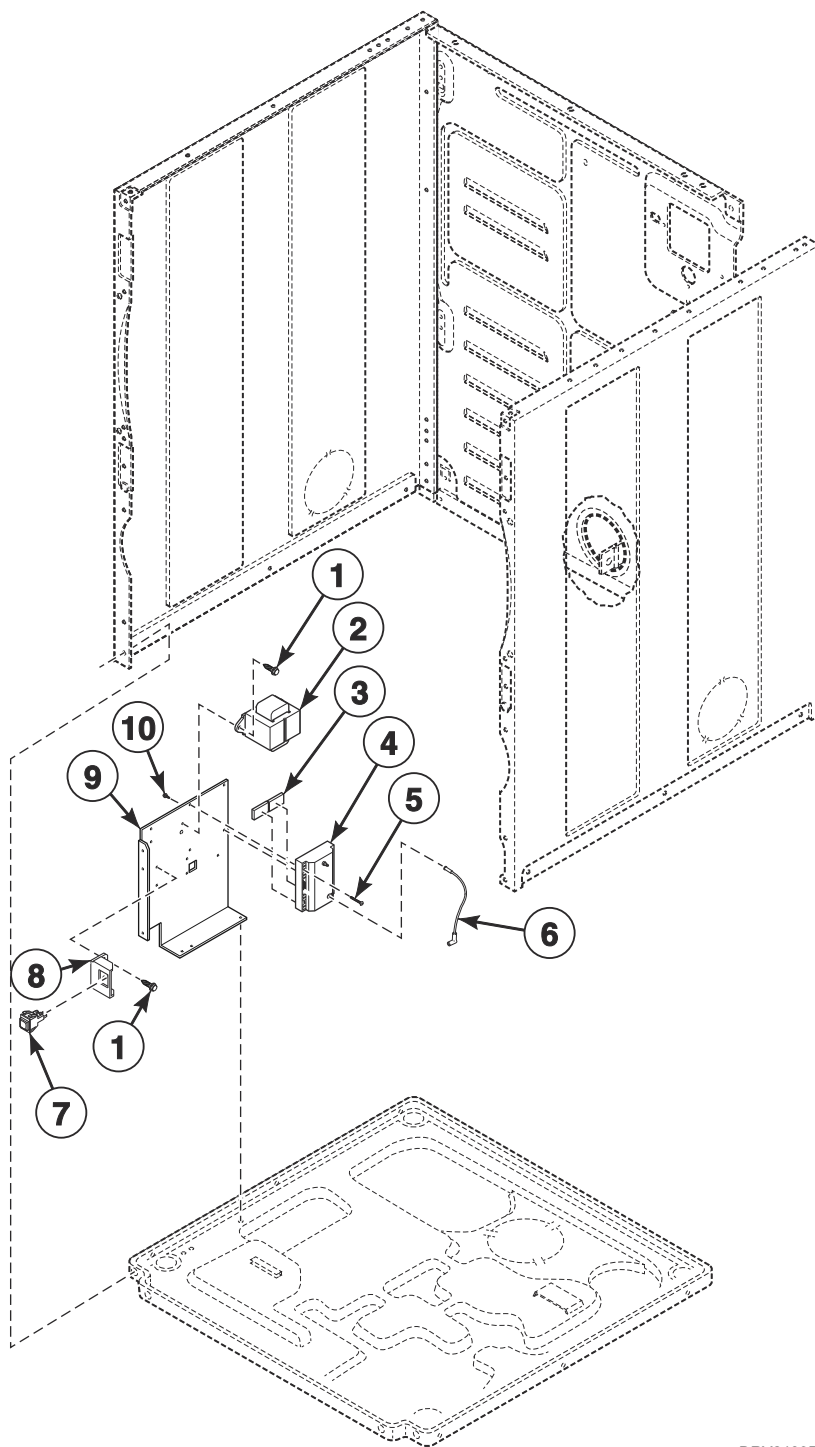
DRY2353P\_515203

## Contactor and Transformer

REF	PART NO.	DESCRIPTION	COMMENTS
	D514000	Power Harness	Used between item 5 and 804844, 804864 or 514834P Filter; Models BD3NGBGS403UW01, BD3NGBSS403UN01, BD3NLBGS403UW01, BD3NLBSS403UN01, BD3NXAGS403UW01, ND3NLBGS403NW22, ND3NLBGS403ZW01, ND3NLBSS403UN01, ND3NXASS403UN01, PD3JGBGS403UG01, PD3JXAGS403UG01, SD3JGBGS403UW01 and TD3NGBGS403NW36
	D514002	Heater Harness	Used between item 5 and heating element; Models BD3NGBGS403UW01, BD3NGBSS403UN01, BD3NLBGS403UW01, BD3NLBSS403UN01, BD3NXAGS403UW01, ND3NLBGS403NW22, ND3NLBGS403ZW01, ND3NLBSS403UN01, ND3NXASS403UN01, PD3JGBGS403UG01, PD3JXAGS403UG01, SD3JGBGS403UW01 and TD3NGBGS403NW36
	D514054	Dual Contactor Harness	Used with item 5; Models BD3NGBGS403UW01, BD3NGBSS403UN01, BD3NLBGS403UW01, BD3NLBSS403UN01, BD3NXAGS403UW01, ND3NLBGS403NW22, ND3NLBGS403ZW01, ND3NLBSS403UN01, ND3NXASS403UN01, PD3JGBGS403UG01, PD3JXAGS403UG01, SD3JGBGS403UW01 and TD3NGBGS403NW36
1	D514334	Transformer Shield	Models BDGNBGS303EW01, BDGNXAGS303EW01, HDGNXAGS543DW01, JDGJGAGW303EW01, JDGJGBGW303EW01, JDGJGBSW303EN01, JDGJRAGW303EW01, NDGNXAGS303EW01, NDGNXAGS303ZW38, PDGJGBGS303UG01, PDGJGBGS543ZG01, PDGJXAGS303UG01, PDGJXAGS304AG01, PDGJXAGS543ZG01, SDGNXAGS303AW01, SDGNXAGS543DW01, SDGNXRGs303AW01, SDLNXRGs303LW01, SDLNXRGs543NW23 and SDLNXRGs543PW01
2	D503688	Screw	
3	D513763P	Transformer	Models BDGNBGS303EW01, BDGNXAGS303EW01, HDGNXAGS543DW01, JDGJEAGW303EW01, JDGJGAGW303EW01, JDGJGBGW303EW01, JDGJGBSW303EN01, JDGJRAGW303EW01, JDGJXAGW303EW01, NDGNXAGS303EW01, NDGNXAGS303ZW38, PDGJGBGS303UG01, PDGJGBGS543ZG01, PDGJXAGS303UG01, PDGJXAGS304AG01, PDGJXAGS543ZG01, SDGNXAGS303AW01, SDGNXAGS543DW01, SDGNXRGs303AW01, SDLNXRGs303LW01, SDLNXRGs543NW23 and SDLNXRGs543PW01
4	F8449801	End Stop	Models BD3NGBGS403UW01, BD3NGBSS403UN01, BD3NLBGS403UW01, BD3NLBSS403UN01, BD3NXAGS403UW01, ND3NLBGS403NW22, ND3NLBGS403ZW01, ND3NLBSS403UN01, ND3NXASS403UN01, PD3JGBGS403UG01, PD3JXAGS403UG01, SD3JGBGS403UW01 and TD3NGBGS403NW36
5	70482603	Contactor	Models BD3NGBGS403UW01, BD3NGBSS403UN01, BD3NLBGS403UW01, BD3NLBSS403UN01, BD3NXAGS403UW01, ND3NLBGS403NW22, ND3NLBGS403ZW01, ND3NLBSS403UN01, ND3NXASS403UN01, PD3JGBGS403UG01, PD3JXAGS403UG01, SD3JGBGS403UW01 and TD3NGBGS403NW36
6	M412693	Din Rail	Models BD3NGBGS403UW01, BD3NGBSS403UN01, BD3NLBGS403UW01, BD3NLBSS403UN01, BD3NXAGS403UW01, ND3NLBGS403NW22, ND3NLBGS403ZW01, ND3NLBSS403UN01, ND3NXASS403UN01, PD3JGBGS403UG01, PD3JXAGS403UG01, SD3JGBGS403UW01 and TD3NGBGS403NW36
7	D511859	Contactor Bracket	Models BD3NGBGS403UW01, BD3NGBSS403UN01, BD3NLBGS403UW01, BD3NLBSS403UN01, BD3NXAGS403UW01, JDGJRAGW303EW01, ND3NLBGS403NW22, ND3NLBGS403ZW01, ND3NLBSS403UN01, ND3NXASS403UN01, PD3JGBGS403UG01, PD3JXAGS403UG01, SD3JGBGS403UW01 and TD3NGBGS403NW36

# Ignition Control Module

Models SDMNXRGS083JW01 and SDMNXRGS103JW01



DRY2483P\_515203

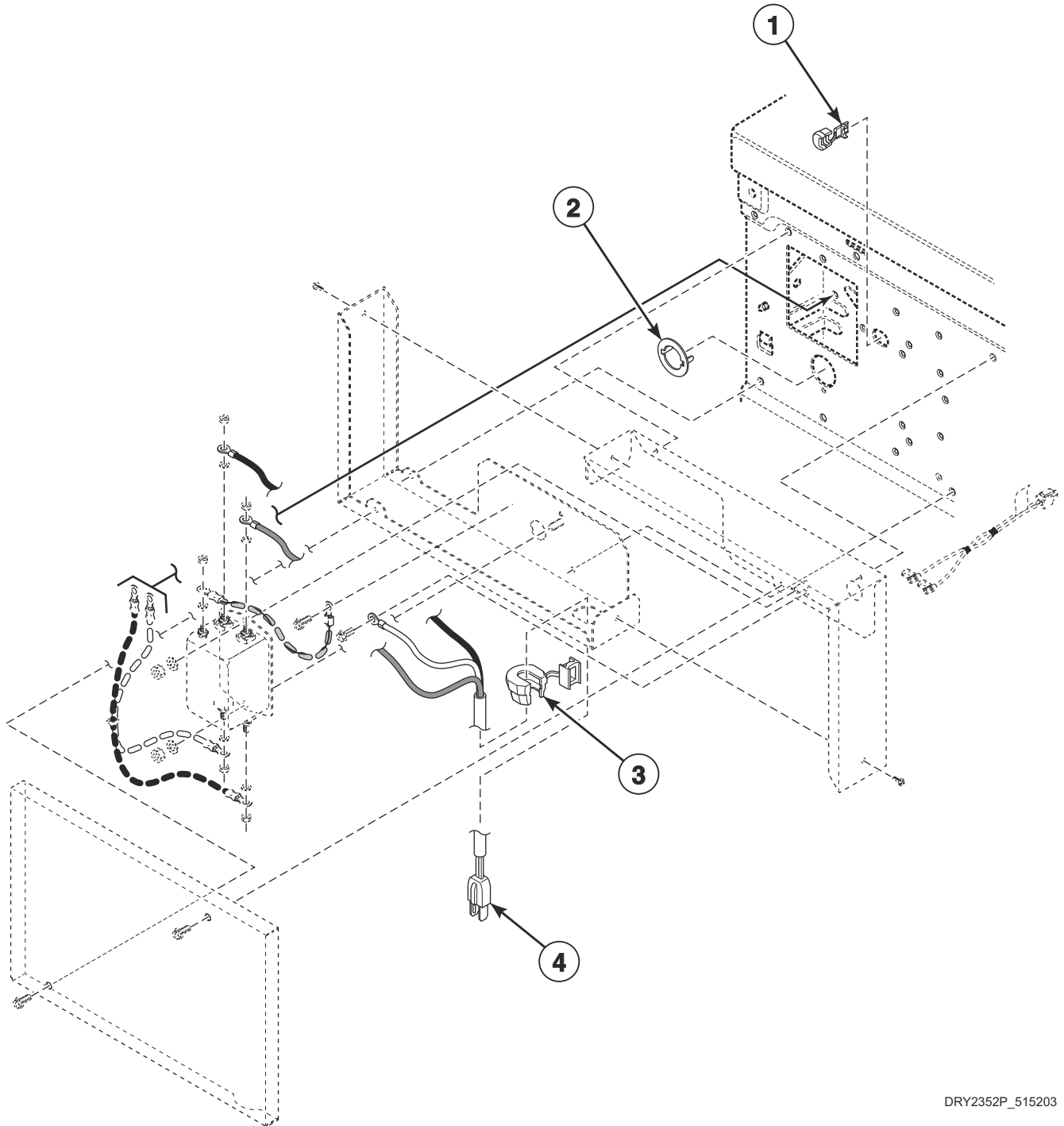


# Ignition Control Module

REF	PART NO.	DESCRIPTION	COMMENTS
	D517023	Ignition Control Module Main Harness	
	D517459	Jumper	
	D516881	ICM Gas Harness	
1	D503688	Screw	
2	202758	Transformer	
3	56128	Bumper Pad	
4	70483201P	Ignition Control	
5	D516261	Screw	
6	44239706	High Voltage Suppression Cable	
7	M413431	Pushbutton Switch	Lighted
8	D516237	Switch Bracket	
9	D511859	Contacto Bracket	
10	38272	Screw	

# Power Cord

All Models Except ND3NLBGS403NW22, SDENYRGS303NW22 and TD3NGBGS403NW36



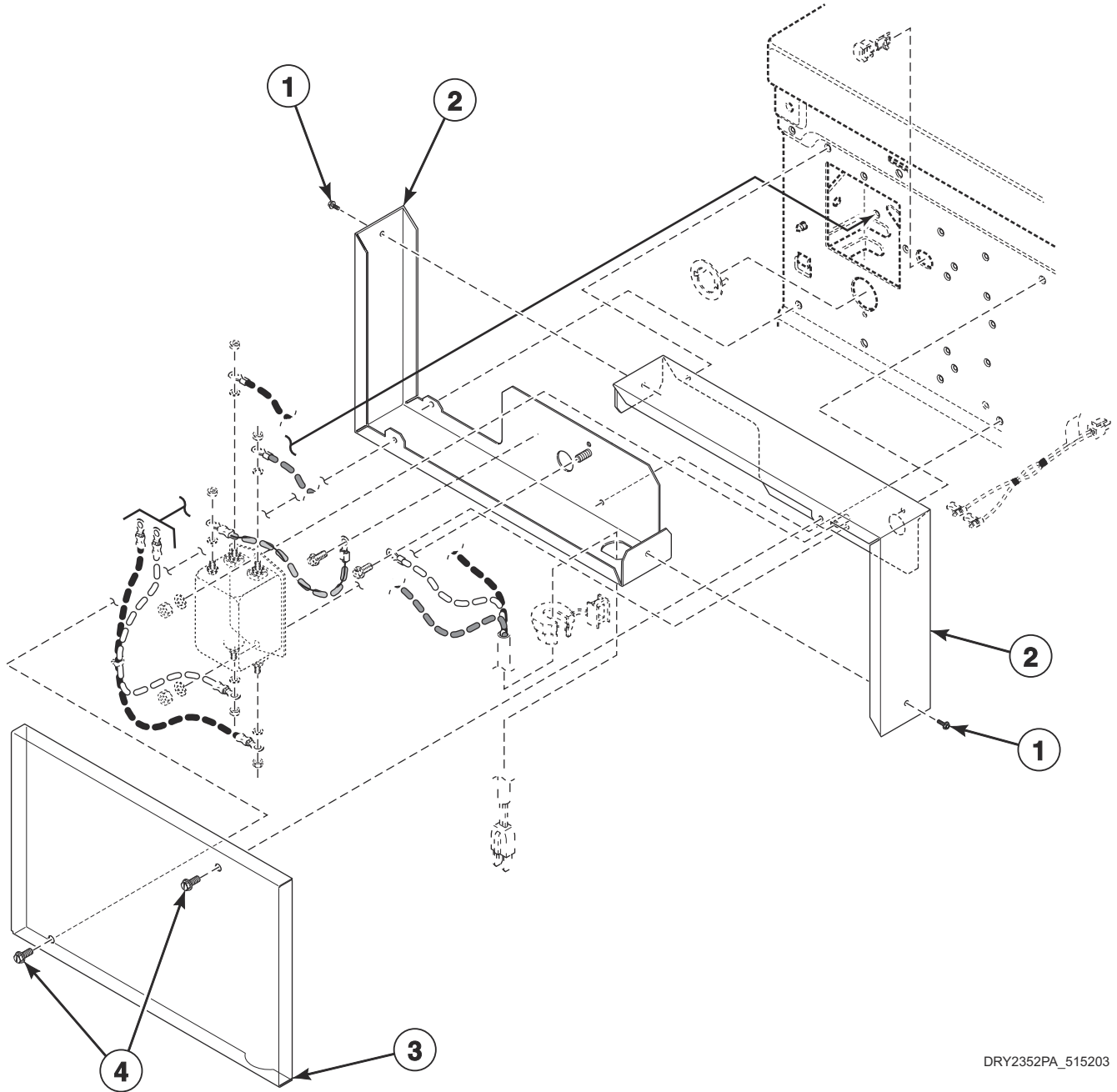
DRY2352P\_515203

# Power Cord

REF	PART NO.	DESCRIPTION	COMMENTS
	20530	Screw	
1	38384	Strain Relief	Models HDGNEAGS113CW01, HDGNERGS113CW01, HDGNXAGS113CN01, HDGNXAGW113CN01, HDGNXAGS113CW01, HDGNXRGS113CW01, HDGNYAGS113CW01, HDGNYBGS113CW01, HDGNYRGS113CW01, SDGNEAGS113CW01, SDGNERGS113CW02, SDGNXAGS113CN01, SDGNXAGS113CW01, SDGNXRGS113CW02, SDGNYAGS113CW01 and SDGNYRGS113CW01
2	D502496	Strain Relief Adapter	Model SDLNXRGS543NW23
3	52113	Strain Relief	Models HDENXAGS543DW01, JDEJEAGW303EW01, JDEJGAGW303EW01, JDEJGASW303EN01, JDEJGBGW303EW01, JDEJGBSW303EN01, JDEJRAGW303EW01, JDEJXAGW303EW01, JDGJRAGW303EW01, NDENXAGS303UW01, PDEJGBGS303UG01, PDEJGBGS543ZG01, PDEJXAGS434AG01, SDENXAGS433AW01, SDENXAGS543DW01, SDENXRGS433AW01, SDENXRGS433LW01 and SDENYRGS303ZW01
	60298	Strain Relief	Models BDGNGBGS303EW01, BDGNLBGS303EW01, BDGNXAGS303EW01, HDGNXAGS123DW01, HDGNXAGS543DW01, JDGJEAGW303EW01, JDGJGAGW303EW01, JDGJGASW303EN01, JDGJGBGW303EW01, JDGJGBSW303EN01, JDGJRAGW303EW01, JDGJXAGW303EW01, NDGNXAGS303EW01, PDGJGBGS303UG01, PDGJGBGS543ZG01, PDGJXAGS303UG01, PDGJXAGS304AG01, PDGJXAGS543ZG01, SDGNXAGS123DW01, SDGNXAGS303AW01, SDGNXAGS543DW01, SDGNXRGS303AW01, SDLNXRGS303LW01, SDLNXRGS543NW23, SDLNXRGS543PW01, SDMNXRGS083JW01 and SDMNXRGS103JW01
4	D503597	Lead-In Cord Assembly	Models HDENXAGS543DW01, JDEJEAGW303EW01, JDEJGAGW303EW01, JDEJGASW303EN01, JDEJGBGW303EW01, JDEJGBSW303EN01, JDEJRAGW303EW01, JDEJXAGW303EW01, JDGJRAGW303EW01, NDENXAGS303UW01, PDEJGBGS303UG01, PDEJGBGS543ZG01, SDENXAGS543DW01, SDENXAGS543RW01 and SDENYRGS303ZW01
	202777	Lead-In Cord	Models HDGNEAGS113CW01, HDGNERGS113CW01, HDGNXAGS113CN01, HDGNXAGW113CN01, HDGNXRGS113CW01, HDGNYAGS113CW01, HDGNYBGS113CW01, HDGNYRGS113CW01, NDGNXAGS113MW01, SDGNEAGS113CW01, SDGNERGS113CW02, SDGNXAGS113CN01, SDGNXAGS113CW01, SDGNXRGS113CW02, SDGNYAGS113CW01 and SDGNYRGS113CW01
	203208	Lead-In Cord	Models BDGNGBGS303EW01, BDGNLBGS303EW01, BDGNXAGS303EW01, JDGJEAGW303EW01, JDGJGAGW303EW01, JDGJGASW303EN01, JDGJGBGW303EW01, JDGJGBSW303EN01, JDGJRAGW303EW01, JDGJXAGW303EW01, NDGNXAGS303EW01, PDGJGBGS303UG01, PDGJGBGS543ZG01, PDGJXAGS303UG01 and PDGJXAGS543ZG01
	202926	Lead-In Cord	Models PDGJXAGS304AG01, SDGNXAGS303AW01, SDGNXRGS303AW01 and SDLNXRGS303LW01
	203315	Lead-In Cord	Model SDLNXRGS543PW01
	61605P	Lead-In Cord Kit	Models PDEJXAGS434AG01, SDENXAGS433AW01, SDENXRGS433AW01 and SDENXRGS433LW01
	203344	Lead-In Cord	Model SDLNXRGS543NW23
	D514061	Lead-In Cord	Models HDGNXAGS123DW01, HDGNXAGS543DW01, SDGNXAGS123DW01 and SDGNXAGS543DW01
	D506106	Lead-In Cord Assembly	Models BD3NGBGS403UW01, BD3NGBSS403UN01, BD3NLBGS403UW01, BD3NLBSS403UN01, BD3NXAGS403UW01, ND3NLBGS403ZW01, ND3NLBSS403UN01, ND3NXASS403UN01, PD3JGBGS403UG01, PD3JXAGS403UG01 and SD3JGBGS403UW01
	D502599	Lead-In Cord	Model SDENXRGS433LW01
	203315	Lead-In Cord	Model SDLNXRGS303LW01
	202925	Lead-In Cord	Model NDGNXAGS303ZW38
	D516747	Lead-In Cord Assembly	Model SDEWXAGS433LW01
	D516611	Lead-In Cord	Models SDMNXRGS083JW01 and SDMNXRGS103JW01
	D510505P	Lead-In Cord Assembly	All other models

# Junction Box

Models BD3NGBGS403UW01, BD3NGBSS403UN01, BD3NLBGS403UW01, BD3NLBSS403UN01, BD3NXAGS403UW01, BDGNGBGS303EW01, BDGNLBGS303EW01, BDGNXAGS303EW01, HDENXAGS543DW01, HDGNXAGS123DW01, HDGNXAGS543DW01, JDEJEAGW303EW01, JDEJGAGW303EW01, JDEJGASW303EN01, JDEJGBGW303EW01, JDEJGBSW303EN01, JDEJRAGW303EW01, JDEJXAGW303EW01, JDGJEAGW303EW01, JDGJGAGW303EW01, JDGJGASW303EN01, JDGJGBGW303EW01, JDGJGBSW303EN01, JDGJRAGW303EW01, JDGJXAGW303EW01, ND3NLBGS403ZW01, ND3NLBSS403UN01, ND3NXASS403UN01, NDENXAGS303UW01, NDGNXAGS303EW01, NDGNXAGS303ZW38, PD3JGBGS403UG01, PD3JXAGS403UG01, PDEJGBGS303UG01, PDEJGBGS543ZG01, PDEJXAGS434AG01, PDGJGBGS303UG01, PDGJGBGS543ZG01, PDGJXAGS303UG01, PDGJXAGS304AG01, PDGJXAGS543ZG01, SD3JGBGS403UW01, SDENXAGS433AW01, SDENXAGS543DW01, SDENXAGS543RW01, SDENXRGs433AW01, SDENXRGs433LW01, SDENYRGs303ZW01, SDEWXAGS433LW01, SDGNXAGS123DW01, SDGNXAGS303AW01, SDGNXAGS543DW01, SDGNXRGs303AW01, SDLNXRGs303LW01, SDLNXRGs543PW01, SDMNXRGs083JW01 and SDMNXRGs103JW01



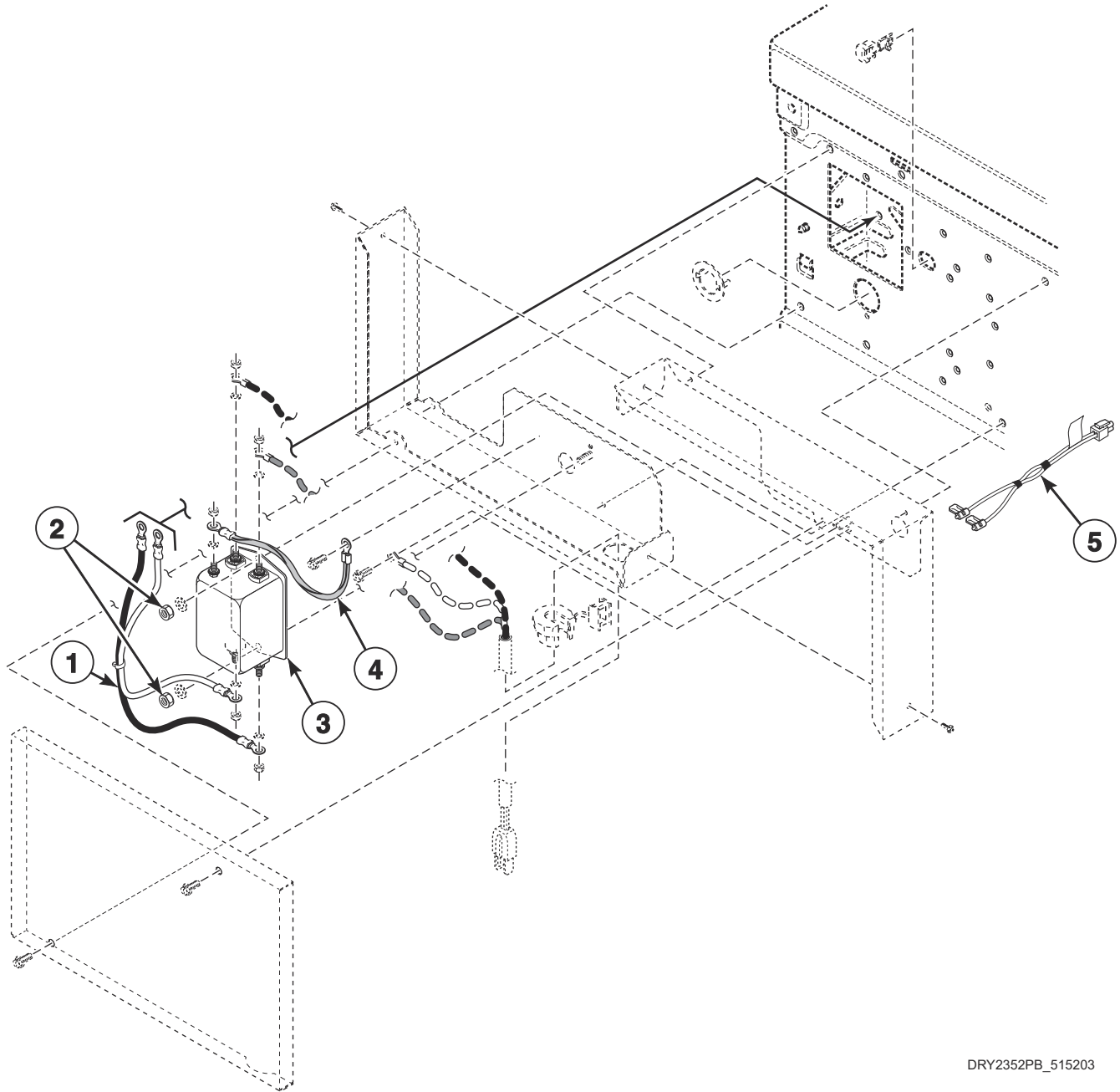
DRY2352PA\_515203

# Junction Box

REF	PART NO.	DESCRIPTION	COMMENTS
	D514379P	Junction Box Seal	4 required
1	D503688	Screw	2 required
2	D516154	Junction Box Assembly	3 phase; Models BD3NGBGS403UW01, BD3NGBSS403UN01, BD3NLBGS403UW01, BD3NLBSS403UN01, BD3NXAGS403UW01, ND3NLBGS403ZW01, ND3NLBSS403UN01, ND3NXASS403UN01, PD3JGBGS403UG01, PD3JXAGS403UG01 and SD3JGBGS403UW01
	D516153	Junction Box Assembly	1 phase; Models HDENXAGS543DW01, JDEJEAGW303EW01, JDEJGAGW303EW01, JDEJGASW303EN01, JDEJGBGW303EW01, JDEJGBSW303EN01, JDEJRAGW303EW01, JDEJXAGW303EW01, NDENXAGS303UW01, PDEJGBGS303UG01, PDEJGBGS543ZG01, PDEJXAGS434AG01, SDENXAGS433AW01, SDENXAGS543DW01, SDENXAGS543RW01, SDENXRGs433AW01, SDENXRGs433LW01, SDENYRGs303ZW01 and SDEWXAGS433LW01
	D516152	Junction Box Assembly	All other models
3	D514363	Junction Box Cover	
4	D503661	Screw	2 required

# Junction Box Filter and Harnesses

Models BD3NGBGS403UW01, BD3NGBSS403UN01, BD3NLBGS403UW01, BD3NLBSS403UN01, BD3NXAGS403UW01, BDGNBGS303EW01, BDGNLBGS303EW01, BDGNXAGS303EW01, HDENXAGS543DW01, HDGNXAGS123DW01, HDGNXAGS543DW01, JDEJEAGW303EW01, JDEJGAGW303EW01, JDEJGASW303EN01, JDEJGBGW303EW01, JDEJGBSW303EN01, JDEJRAGW303EW01, JDEJXAGW303EW01, JDGJEAGW303EW01, JDGJGAGW303EW01, JDGJGASW303EN01, JDGJGBGW303EW01, JDGJGBSW303EN01, JDGJRAGW303EW01, JDGJXAGW303EW01, ND3NLBGS403ZW01, ND3NLBSS403UN01, ND3NXASS403UN01, NDENXAGS303UW01, NDGNXAGS303EW01, NDGNXAGS303ZW38, PD3JGBGS403UG01, PD3JXAGS403UG01, PDEJGBGS303UG01, PDEJGBGS543ZG01, PDEJXAGS434AG01, PDGJGBGS303UG01, PDGJGBGS543ZG01, PDGJXAGS303UG01, PDGJXAGS304AG01, PDGJXAGS543ZG01, SD3JGBGS403UW01, SDENXAGS433AW01, SDENXAGS543DW01, SDENXAGS543RW01, SDENXRGs433AW01, SDENXRGs433LW01, SDENYRGs303ZW01, SDEWXAGS433LW01, SDGNXAGS123DW01, SDGNXAGS303AW01, SDGNXAGS543DW01, SDGNXRGs303AW01, SDLNXRGs303LW01, SDLNXRGs543PW01, SDMNXRGs083JW01 and SDMNXRGs103JW01

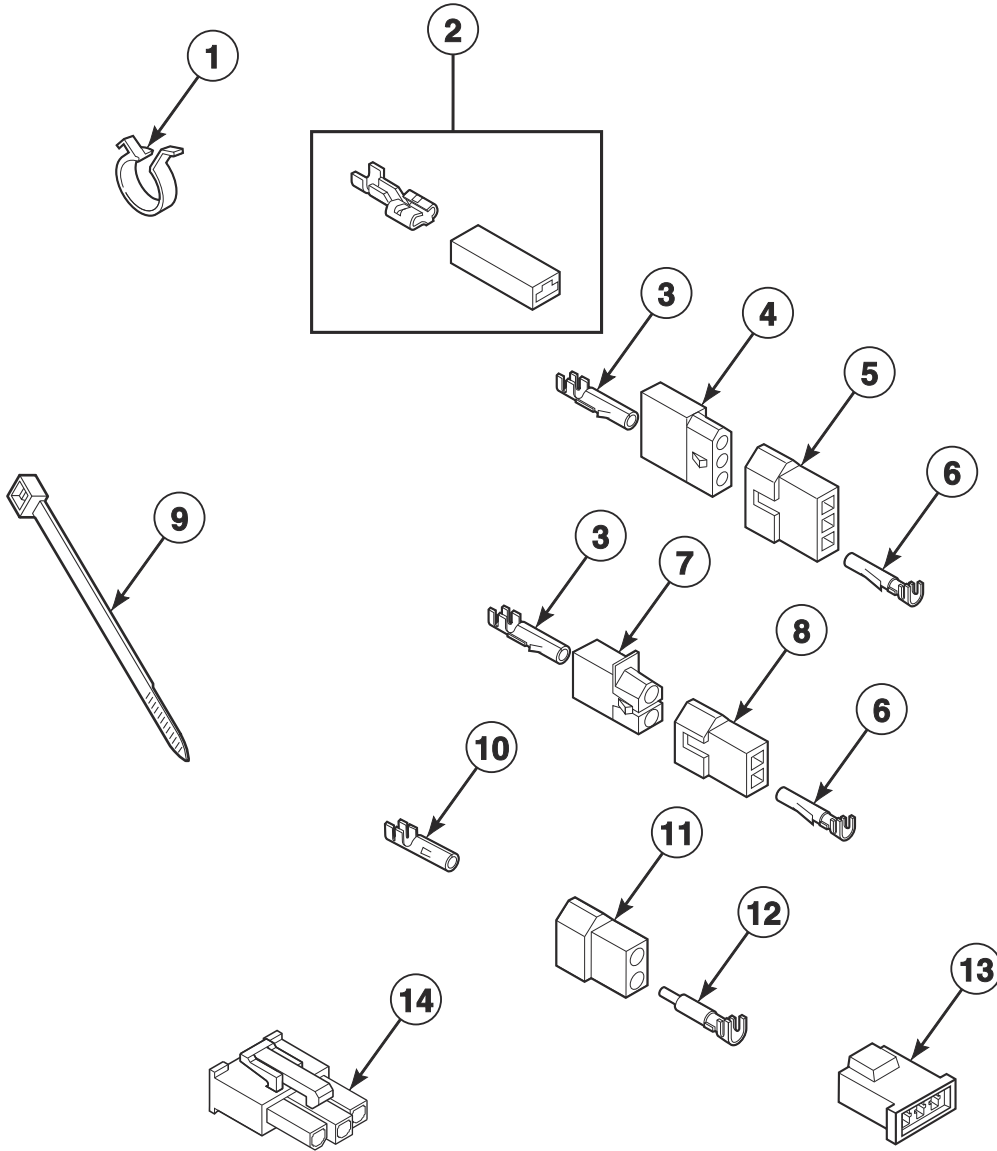


DRY2352PB\_515203

## Junction Box Filter and Harnesses

REF	PART NO.	DESCRIPTION	COMMENTS
	D503688	Screw	4 required
1	D514037	Filter Harness	Models HDGNXAGS123DW01, HDGNXAGS543DW01, NDGNXAGS303ZW38, PDGJXAGS304AG01, SDGNXAGS123DW01, SDGNXAGS303AW01, SDGNXAGS543DW01, SDGNXRGS303AW01, SDMNXRGS083JW01 and SDMNXRGS103JW01
	D514036	Filter Harness	Models HDENXAGS543DW01, JDEJEAGW303EW01, JDEJGAGW303EW01, JDEJGASW303EN01, JDEJGBGW303EW01, JDEJGBSW303EN01, JDEJRAGW303EW01, JDEJXAGW303EW01, JDGJRAGW303EW01, NDENXAGS303UW01, PDEJGBGS303UG01, PDEJGBGS543ZG01, PDEJXAGS434AG01, SDENXAGS433AW01, SDENXAGS543DW01, SDENXAGS543RW01, SDENYRGS303ZW01, SDEWXAGS433LW01 and SDLNXRGS303LW01
	D514040	Filter Harness	3 Phase; Models BD3NGBGS403UW01, BD3NGBSS403UN01, BD3NLBGS403UW01, BD3NLBSS403UN01, BD3NXAGS403UW01, ND3NLBGS403ZW01, ND3NLBSS403UN01, ND3NXASS403UN01, PD3JGBGS403UG01, PD3JXAGS403UG01 and SD3JGBGS403UW01
2	51236	Nut	3 Phase; 4 required; Models BD3NGBGS403UW01, BD3NGBSS403UN01, BD3NLBGS403UW01, BD3NLBSS403UN01, BD3NXAGS403UW01, ND3NLBGS403ZW01, ND3NLBSS403UN01, ND3NXASS403UN01, PD3JGBGS403UG01, PD3JXAGS403UG01 and SD3JGBGS403UW01
	29787	Nut	2 required; All other models
3	804844	Line Filter	30 Amp; Models HDENXAGS543DW01, JDEJEAGW303EW01, JDEJGAGW303EW01, JDEJGASW303EN01, JDEJGBGW303EW01, JDEJGBSW303EN01, JDEJRAGW303EW01, JDEJXAGW303EW01, JDGJRAGW303EW01, NDENXAGS303UW01, PDEJGBGS303UG01, PDEJGBGS543ZG01, PDEJXAGS434AG01, SDENXAGS433AW01, SDENXAGS543DW01, SDENXAGS543RW01, SDENXRGS433AW01, SDENXRGS433LW01, SDENYRGS303ZW01 and SDEWXAGS433LW01
	D514384P	Filter	3 Phase; Models BD3NGBGS403UW01, BD3NGBSS403UN01, BD3NLBGS403UW01, BD3NLBSS403UN01, BD3NXAGS403UW01, ND3NLBGS403ZW01, ND3NLBSS403UN01, ND3NXASS403UN01, PD3JGBGS403UG01, PD3JXAGS403UG01 and SD3JGBGS403UW01
	804864	Line Filter	10 Amp; All other models
4	D514038	Ground Filter Harness	Models BD3NGBGS403UW01, BD3NGBSS403UN01, BD3NLBGS403UW01, BD3NLBSS403UN01, BD3NXAGS403UW01, HDENXAGS543DW01, JDEJEAGW303EW01, JDEJGAGW303EW01, JDEJGASW303EN01, JDEJGBGW303EW01, JDEJGBSW303EN01, JDEJRAGW303EW01, JDEJXAGW303EW01, ND3NLBGS403ZW01, ND3NLBSS403UN01, ND3NXASS403UN01, NDENXAGS303UW01, PD3JGBGS403UG01, PD3JXAGS403UG01, PDEJGBGS303UG01, PDEJGBGS543ZG01, PDEJXAGS434AG01, SD3JGBGS403UW01, SDENXAGS433AW01, SDENXAGS543DW01, SDENXAGS543RW01, SDENXRGS433AW01, SDENXRGS433LW01, SDENYRGS303ZW01 and SDEWXAGS433LW01
	D514039	Ground Filter Harness	Models HDGNXAGS123DW01, HDGNXAGS543DW01, NDGNXAGS303ZW38, PDGJXAGS304AG01, SDENXRGS433LW01, SDGNXAGS123DW01, SDGNXAGS303AW01, SDGNXAGS543DW01, SDGNXRGS303AW01, SDMNXRGS083JW01 and SDMNXRGS103JW01
5	804396	Filter Harness	Models BDGNBGS303EW01, BDGNLBGS303EW01, BDGNXAGS303EW01, JDGJEAGW303EW01, JDGJGAGW303EW01, JDGJGASW303EN01, JDGJGBGW303EW01, JDGJGBSW303EN01, JDGJRAGW303EW01, JDGJXAGW303EW01, NDGNXAGS303EW01, PDGJGBGS303UG01, PDGJGBGS543ZG01, PDGJXAGS303UG01, PDGJXAGS304AG01, PDGJXAGS543ZG01, SDENXRGS433LW01 and SDLNXRGS543PW01

# Terminal Block and Terminals



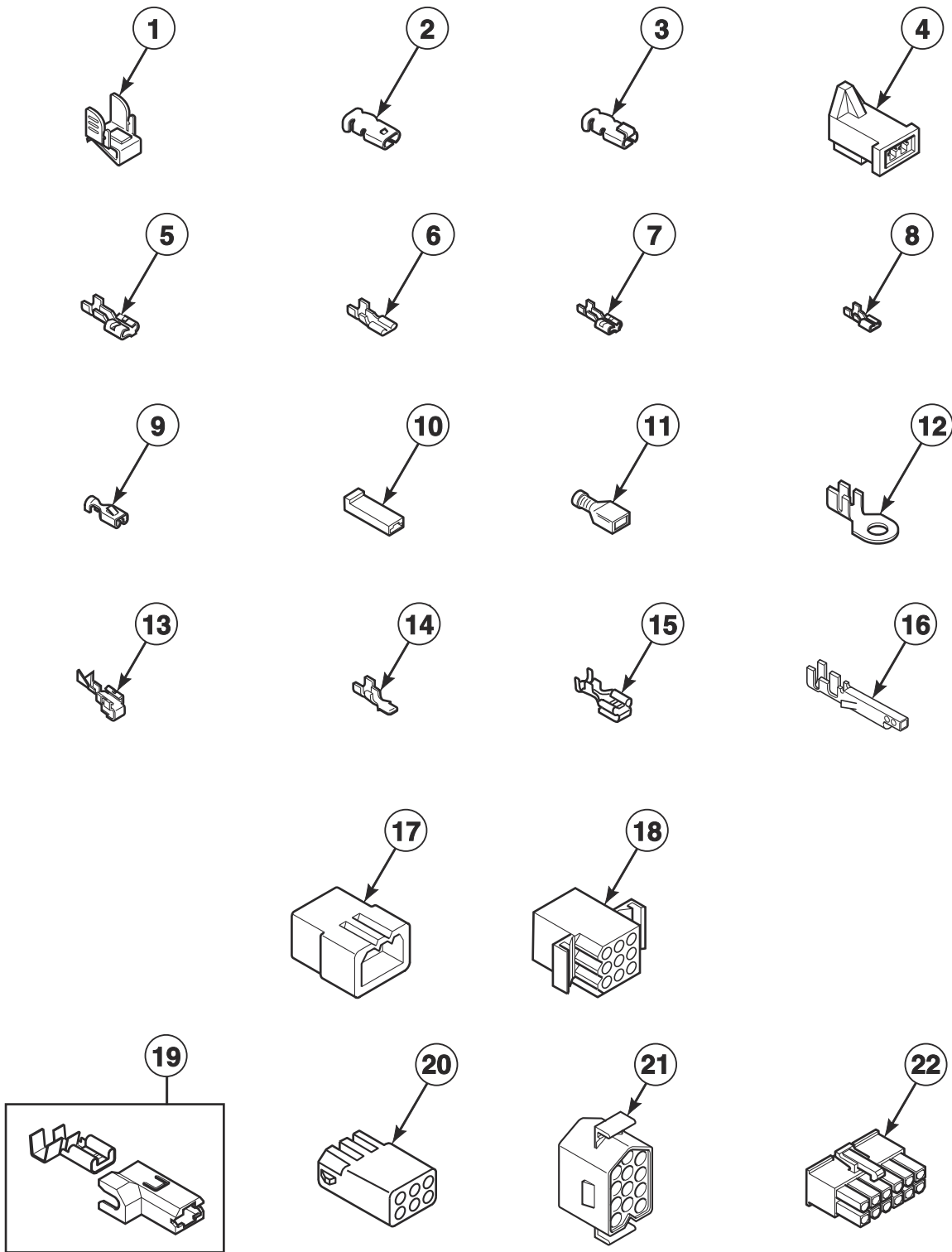
DRY2064P\_515203



## Terminal Block and Terminals

REF	PART NO.	DESCRIPTION	COMMENTS
1	D504034	Wire Clip	11/16 inch
	687500	Wire Clip	1 inch
2	00360	Insulated Female Spade Terminal	(1) 12 gauge wire or (2) 18 gauge wires
3	00117	Female Pin Terminal	
4	23039	3 Circuit Receptacle	
	56265	2 Circuit Receptacle	
5	23040	Plug	3 circuit
6	00116	Male Pin Terminal	
7	56451	2 Circuit Receptacle	
8	56448	2 Circuit Plug	
9	55881	Harness Strap	
10	00130	Female Pin Terminal	1/8 inch; 16-18 gauge wire
	00128	Female Pin Terminal	1/8 inch; 10-14 gauge wire
11	56266	2 Circuit Plug	
12	00127	Male Pin Terminal	.18 insulation diameter
	00129	Male Pin Terminal	.12 insulation diameter
13	58800	3 Circuit Connector	
14	36170	3 Circuit Receptacle	

# Terminals

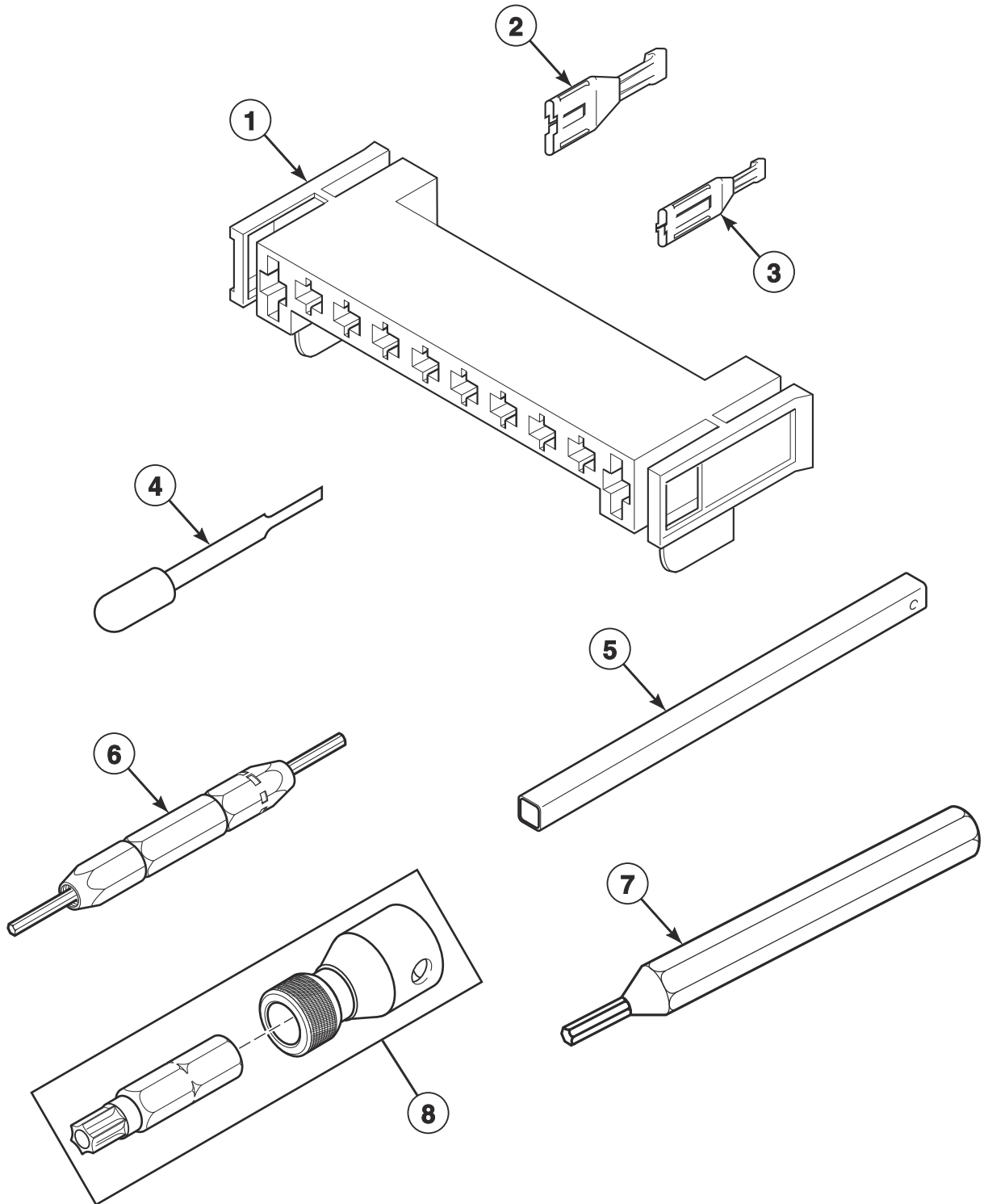


DRY2343P\_515203

# Terminals

REF	PART NO.	DESCRIPTION	COMMENTS
1	00161	Grounding Clip	
2	00189	Female Spade Terminal	
3	00361	Female Piggyback Terminal	
4	58799	2 Circuit Connector	
5	00223	Female Spade Terminal	1/4 inch; (1) 18 gauge wire
	00121	Female Spade Terminal	1/4 inch; (2) 18 gauge wires or (1) 12 gauge wire
	00245	Spade Terminal	1/4 inch; (1) 22 gauge wire
6	00124	Female Spade Terminal	3/16 inch; (1) 18 gauge wire; .020 tab
	00156	Female Spade Terminal	3/16 inch; Thermostat wire; .032 tab
7	00222	Female Spade Terminal	1/4 inch
8	00347	Terminal	
9	00115	Female Spade Terminal	1/4 inch; (1) 18 gauge wire
10	90789	Receptacle Housing	
11	00359	Insulated Female Spade Terminal	1/4 inch
	00165	Insulated Female Terminal	3/16 inch
12	00110	Ring Terminal	(1) 18 gauge wire
	00111	Ring Terminal	(2) 18 gauge wires or (1) 12 gauge wire
	00319	Ring Terminal	(2) 18 gauge wires or (1) 14 gauge wire
13	00114	Female Spade Terminal	1/4 inch; Double connector
14	00139	Male Tab Terminal	1/4 inch; (2) 18 gauge wires or (1) 12 gauge wire
15	00344	Female Tab Terminal	
16	00252	Terminal	
17	26302	1 Circuit Plug	
	23033	9 Circuit Plug	
	23041	6 Circuit Plug	
18	26163	9 Circuit Receptacle	
	56855	12 Circuit Receptacle	
19	00221	Insulated Female Flag Terminal	1/4 inch
20	26708	6 Circuit Receptacle	
	26301	1 Circuit Receptacle	
21	54522	Plug	
22	D501333	12 Circuit Receptacle	
	34596	10 Circuit Receptacle	

# Motor Connection Block and Tools



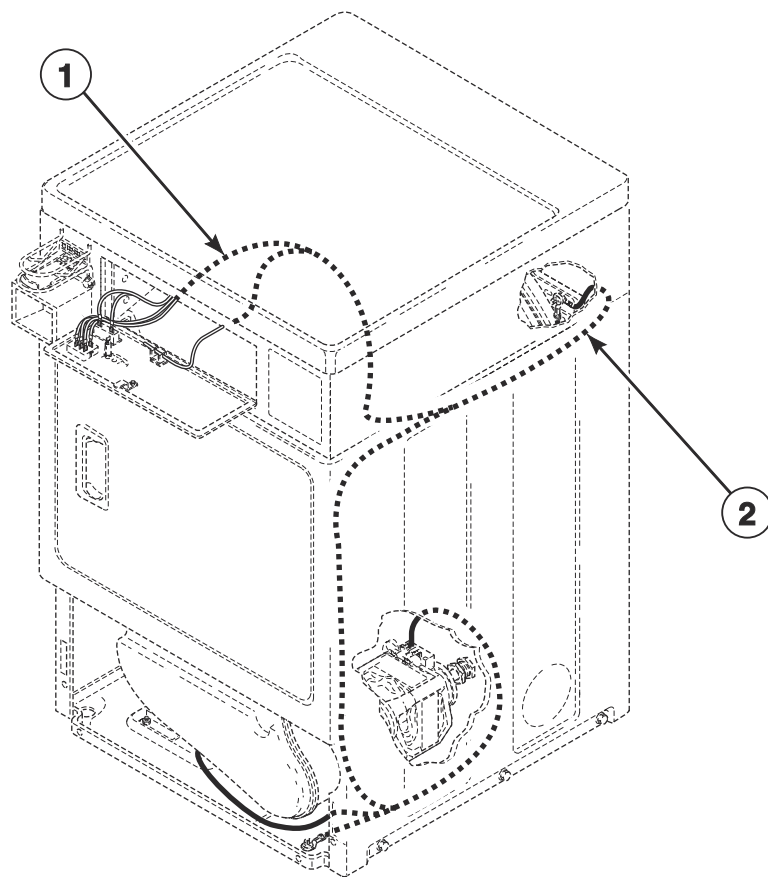
DRY2066P\_515203

## Motor Connection Block and Tools

REF	PART NO.	DESCRIPTION	COMMENTS
1	D500338	10 Position Housing	
2	00255	Female Terminal	1/4 inch; For (1) 12 gauge wire
	00256	Female Terminal	1/4 inch; For (1) or (2) 18 gauge wires
3	00188	Female Terminal	For 1 or 2 wire application
4	283P4	Terminal Extractor Tool	For use on Molex connectors
5	310P4	Ratchet Extension Tool	1/4 inch; For coin drop installation
6	190P4	Extractor Tool	For use on electric dryer terminals
7	128P4	Extractor Tool	For use on gas dryer terminals
8	281P4	Torx Bit	T15 Tamper Resistant Bit
	282P4	Torx Bit	Use with 62853 Screw on access panel; T25 Tamper Resistant Bit
	292P4	Torx Bit	T20 Standard Bit
	93501	Torx Drive Tool	T10 Standard Bit

# Wire Harnesses and Wires - Front Control Models (Drawing 1 of 2)

Models BD3NGBGS403UW01, BD3NGBSS403UN01, BD3NLBGS403UW01, BD3NLBSS403UN01, BD3NXAGS403UW01, BDGNGBGS303EW01, BDGNLBGS303EW01, BDGNXAGS303EW01, HDENXAGS543DW01, HDGNEAGS113CW01, HDGNXAGS113CN01, HDGNXAGS113CW01, HDGNXAGS123DW01, HDGNXAGS543DW01, HDGNXAGW113CN01, HDGNYAGS113CW01, HDGNYBGS113CW01, JDEJEAGW303EW01, JDEJGAGW303EW01, JDEJGASW303EN01, JDEJGBGW303EW01, JDEJGBSW303EN01, JDEJRAGW303EW01, JDEJXAGW303EW01, JDGJEAGW303EW01, JDGJGAGW303EW01, JDGJGASW303EN01, JDGJGBGW303EW01, JDGJGBSW303EN01, JDGJRAGW303EW01, JDGJXAGW303EW01, ND3NLBGS403NW22, ND3NLBGS403ZW01, ND3NLBSS403UN01, ND3NXASS403UN01, NDENXAGS303UW01, NDGNXAGS113MW01, NDGNXAGS303EW01, NDGNXAGS303ZW38, PD3JGBGS403UG01, PD3JXAGS403UG01, PDEJGBGS303UG01, PDEJGBGS543ZG01, PDEJXAGS434AG01, PDGJGBGS303UG01, PDGJGBGS543ZG01, PDGJXAGS303UG01, PDGJXAGS304AG01, PDGJXAGS543ZG01, SD3JGBGS403UW01, SDENXAGS433AW01, SDENXAGS543DW01, SDENXAGS543RW01, SDEWXAGS433LW01, SDGNXAGS123DW01, SDGNXAGS303AW01, SDGNXAGS543DW01, SDGNYAGS113CW01 and TD3NGBGS403NW36



DRY1915PA\_515203

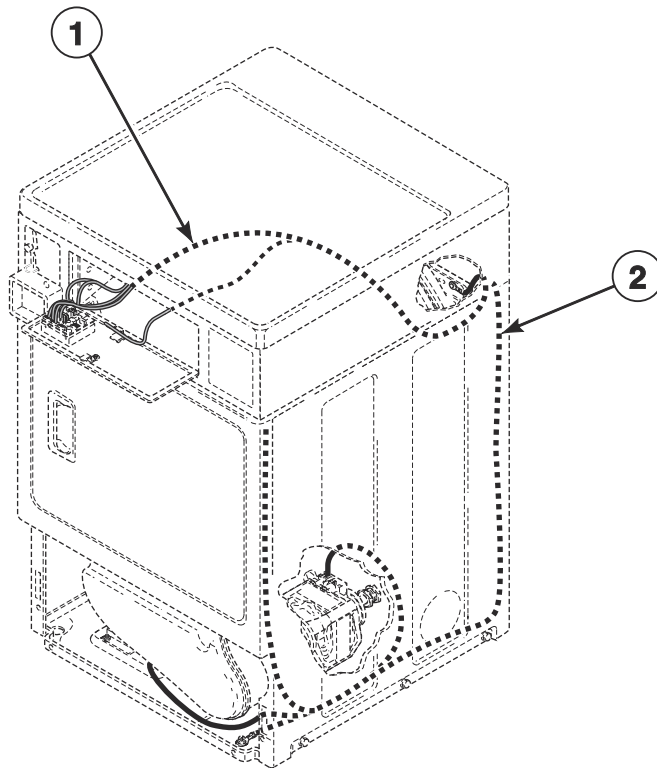
# Wire Harnesses and Wires - Front Control Models (Drawing 1 of 2)

REF	PART NO.	DESCRIPTION	COMMENTS
	45380	12 Gauge Wire	Orange; Order wire by foot; Order terminals and connectors as required
	45001	18 Gauge Wire	Black; Order wire by foot; Order terminals and connectors as required
	45102	18 Gauge Wire	Green/Yellow
	D516365	Gas Valve Harness	240 Volt
	D517261	Broken Belt Harness	Bypass
	D517236	Broken Belt Harness	Starting Serial No. 1903000001
1	D512422P	Wire Harness Assembly	
2	D517240	Electronic Harness	Models HDENXAGS543DW01, JDEJEAGW303EW01, JDEJGAGW303EW01, JDEJGASW303EN01, JDEJGBGW303EW01, JDEJGBSW303EN01, JDEJRAGW303EW01, JDEJXAGW303EW01, NDENXAGS303UW01, PDEJGBGS303UG01, PDEJGBGS543ZG01, PDEJXAGS434AG01, SDENXAGS433AW01, SDENXAGS543DW01 and SDENXAGS543RW01 through Serial No. 1902999999
	D517206	Electric Harness	Models HDENXAGS543DW01, JDEJEAGW303EW01, JDEJGAGW303EW01, JDEJGASW303EN01, JDEJGBGW303EW01, JDEJGBSW303EN01, JDEJRAGW303EW01, JDEJXAGW303EW01, NDENXAGS303UW01, PDEJGBGS303UG01, PDEJGBGS543ZG01, PDEJXAGS434AG01, SDENXAGS433AW01, SDENXAGS543DW01 and SDENXAGS543RW01 starting Serial No. 1903000001
	D517248	Lower Front Harness	Models BD3NGBGS403UW01, BD3NGBSS403UN01, BD3NLBGS403UW01, BD3NLBSS403UN01, BD3NXAGS403UW01, ND3NLBGS403NW22, ND3NLBGS403ZW01, ND3NLBSS403UN01, ND3NXASS403UN01, PD3JGBGS403UG01, PD3JXAGS403UG01, SD3JGBGS403UW01 and TD3NGBGS403NW36 through Serial No. 1902999999
	D517214	Lower Front Harness	Models BD3NGBGS403UW01, BD3NGBSS403UN01, BD3NLBGS403UW01, BD3NLBSS403UN01, BD3NXAGS403UW01, ND3NLBGS403NW22, ND3NLBGS403ZW01, ND3NLBSS403UN01, ND3NXASS403UN01, PD3JGBGS403UG01, PD3JXAGS403UG01, SD3JGBGS403UW01 and TD3NGBGS403NW36 starting Serial No. 1903000001
	D517099	Gas Harness	Models BDGNBGS303EW01, BDGNLBSGS303EW01, BDGNXAGS303EW01, HDGNXAGS543DW01, JDGJEAGW303EW01, JDGJGAGW303EW01, JDGJGASW303EN01, JDGJGBGW303EW01, JDGJGBSW303EN01, JDGJRAGW303EW01, JDGJXAGW303EW01, NDGNXAGS303EW01, NDGNXAGS303ZV38, PDGJGBGS303UG01, PDGJGBGS543ZG01, PDGJXAGS303UG01, PDGJXAGS304AG01, PDGJXAGS543ZG01, SDGNXAGS303AW01 and SDGNXAGS543DW01 through Serial No. 1902999999
	D517213	Gas Harness	Models BDGNBGS303EW01, BDGNLBSGS303EW01, BDGNXAGS303EW01, HDGNXAGS543DW01, JDGJEAGW303EW01, JDGJGAGW303EW01, JDGJGASW303EN01, JDGJGBGW303EW01, JDGJGBSW303EN01, JDGJRAGW303EW01, JDGJXAGW303EW01, NDGNXAGS303EW01, NDGNXAGS303ZV38, PDGJGBGS303UG01, PDGJGBGS543ZG01, PDGJXAGS303UG01, PDGJXAGS304AG01, PDGJXAGS543ZG01, SDGNXAGS303AW01 and SDGNXAGS543DW01 starting Serial No. 1903000001
	D517095	Gas Harness	Models HDGNEAGS113CW01, HDGNXAGS113CN01, HDGNXAGS113CW01, HDGNXAGS123DW01, HDGNXAGW113CN01, HDGNYAGS113CW01, HDGNYBGS113CW01, NDGNXAGS113MW01, SDGNXAGS123DW01 and SDGNYAGS113CW01 through Serial No. 1902999999
	D517205	Gas Harness	Models HDGNEAGS113CW01, HDGNXAGS113CN01, HDGNXAGS113CW01, HDGNXAGS123DW01, HDGNXAGW113CN01, HDGNYAGS113CW01, HDGNYBGS113CW01, NDGNXAGS113MW01, SDGNXAGS123DW01 and SDGNYAGS113CW01 starting Serial No. 1903000001

**NOTE: Individual wires are not available separately. Order complete harness, or order wire by the foot. When applying terminals to wires, it is recommended that the terminals be soldered to the wires.**

## Wire Harnesses and Wires - Front Control Models (Drawing 2 of 2)

Models HDENEAGS153CW01, HDENEAGS173CW01, HDENXAGS153CW01, HDENXAGS173CN01, HDENXAGS173CW01, HDENXAGW173CN01, HDENYAGS153CW01, HDENYAGS173CW01, HDENYBGS173CW01, NDENXAGS173MW01, SDENEAGS153CW01, SDENEAGS173CW01, SDENXAGS153CW01, SDENXAGS173CN01, SDENXAGS173CW01, SDENYAGS153CW01 and SDENYAGS173CW01



DRY2286P\_515203



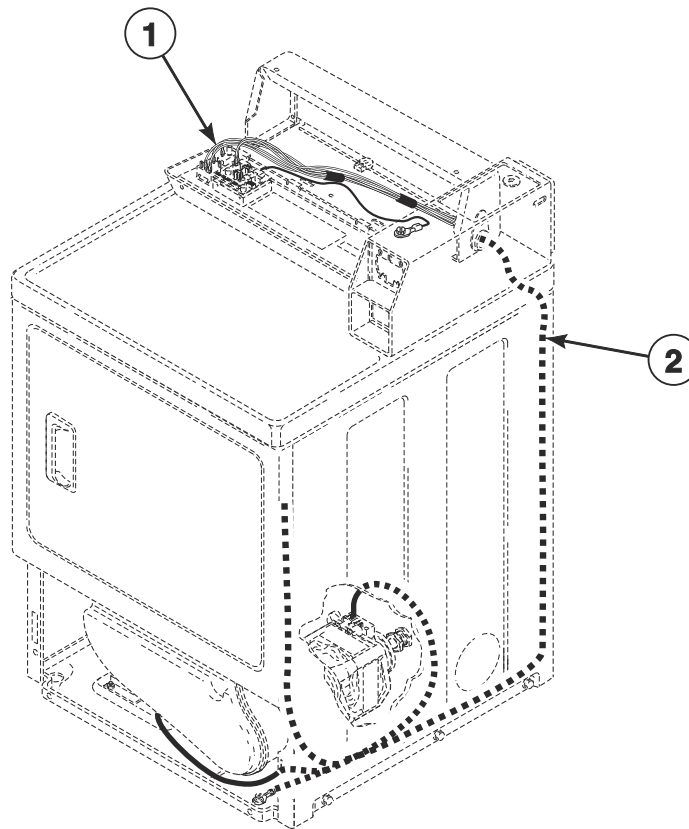
## Wire Harnesses and Wires - Front Control Models (Drawing 2 of 2)

REF	PART NO.	DESCRIPTION	COMMENTS
	45380	12 Gauge Wire	Orange; Order wire by foot; Order terminals and connectors as required
	45001	18 Gauge Wire	Black; Order wire by foot; Order terminals and connectors as required
	D517236	Broken Belt Harness	Starting Serial No. 1903000001
<b>1</b>	D512422P	Wire Harness Assembly	
<b>2</b>	D517240	Electronic Harness	Through Serial No. 1902999999
	D517206	Electric Harness	Starting Serial No. 1903000001

**NOTE: Individual wires are not available separately. Order complete harness, or order wire by the foot. When applying terminals to wires, it is recommended that the terminals be soldered to the wires.**

## Wire Harnesses and Wires - Rear Control Models

Models HDENERGS153CW01, HDENERGS173CW01, HDENXRGS153CW01, HDENXRGS173CW01, HDENYRGS153CW01, HDENYRGS173CW01, HDGNERGS113CW01, HDGNXRGS113CW01, HDGNYRGS113CW01, SDENERGS153CW02, SDENERGS173CW02, SDENXRGS153CW02, SDENXRGS173CW02, SDENXRGS433AW01, SDENXRGS433LW01, SDENYRGS153CW01, SDENYRGS173CW01, SDENYRGS303NW22, SDENYRGS303ZW01, SDGNEAGS113CW01, SDGNERGS113CW02, SDGNXAGS113CW01, SDGNXRGS113CW02, SDGNXRGS303AW01, SDGNYRGS113CW01, SDLNXRGS303LW01, SDLNXRGS543NW23, SDLNXRGS543PW01, SDMNXRGS083JW01 and SDMNXRGS103JW01



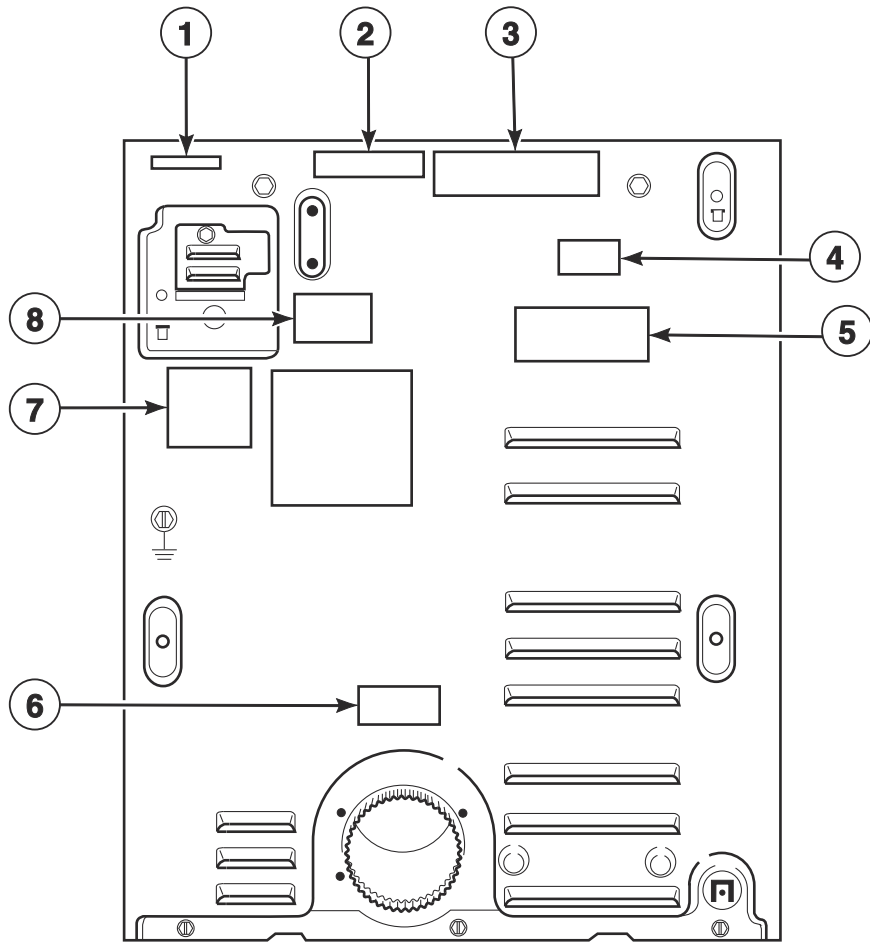
DRY2363P\_515203

## Wire Harnesses and Wires - Rear Control Models

REF	PART NO.	DESCRIPTION	COMMENTS
	45380	12 Gauge Wire	Orange; Order wire by foot; Order terminals and connectors as required
	45001	18 Gauge Wire	Black; Order wire by foot; Order terminals and connectors as required
	D510550	Ground Wire Assembly	Model SDENYRGS303NW22
	D517236	Broken Belt Harness	Starting Serial No. 1903000001
<b>1</b>	D512422P	Wire Harness Assembly	
<b>2</b>	D517104	Harness Assembly	Models SDGNXRGS303AW01, SDLNXRGS303LW01, SDLNXRGS543NW23 and SDLNXRGS543PW01
	D517102	Gas Harness	Models HDGNERGS113CW01, HDGNXRGS113CW01, HDGNYRGS113CW01, SDGNEAGS113CW01, SDGNERGS113CW02, SDGNXAGS113CW01, SDGNXRGS113CW02 and SDGNYRGS113CW01 through Serial No.1902999999
	D517253	Gas Harness	Models HDGNERGS113CW01, HDGNXRGS113CW01, HDGNYRGS113CW01, SDGNEAGS113CW01, SDGNERGS113CW02, SDGNXAGS113CW01, SDGNXRGS113CW02 and SDGNYRGS113CW01 starting Serial No.1903999999
	D517481	Gas Harness	Models SDMNXRGS083JW01 and SDMNXRGS103JW01
	D517254	Electric Harness	Models HDENERGS153CW01, HDENERGS173CW01, HDENXRGS153CW01, HDENXRGS173CW01, HDENYRGS153CW01, HDENYRGS173CW01, SDENERGS153CW02, SDENERGS173CW02, SDENXRGS153CW02, SDENXRGS173CW02, SDENXRGS433AW01, SDENXRGS433LW01, SDENYRGS153CW01, SDENYRGS173CW01, SDENYRGS303NW22, SDENYRGS303ZW01, SDMNXRGS083JW01 and SDMNXRGS103JW01 through Serial No. 1902999999
	D517220	Electric Harness	Models HDENERGS153CW01, HDENERGS173CW01, HDENXRGS153CW01, HDENXRGS173CW01, HDENYRGS153CW01, HDENYRGS173CW01, SDENERGS153CW02, SDENERGS173CW02, SDENXRGS153CW02, SDENXRGS173CW02, SDENXRGS433AW01, SDENXRGS433LW01, SDENYRGS153CW01, SDENYRGS173CW01, SDENYRGS303NW22 and SDENYRGS303ZW01 starting Serial No. 1903000001

**NOTE: Individual wires are not available separately. Order complete harness, or order wire by the foot. When applying terminals to wires, it is recommended that the terminals be soldered to the wires.**

# Label Location on Rear of Cabinet



DRY2303P\_515203

## Label Location on Rear of Cabinet

REF	PART NO.	DESCRIPTION	COMMENTS
1	D501288	Terminal Block Label	
2	D505281	Disconnect Power Warning Label	
3	44324001	Warning Label	
4	D501140	Natural Gas Notice Label	
5	D502791	Venting Instruction Label	
6	D500497	Exhaust Warning Label	
7	D500496	20 Amp Notice Label	
8	803260	Warning Label	



# Parts Index

## A

Access Panel Assembly	
D514250DG .....	43
D514250WP .....	43
D514251 .....	43
Access Panel Plate	
D510903 .....	83
Adhesive	
D511637P .....	57, 59
Air Duct Assembly	
D510151W .....	53
D518433 .....	53
Anti-Seize Compound	
27604P .....	47, 49
Audit Switch Bracket	
800379 .....	19

## B

Blower Fan Assembly	
D510139P .....	49
Blower Housing	
D511969LG .....	49
D511969WP .....	49
Blower Housing Cover	
D511970 .....	49
Blower Housing Seal	
D510238P .....	49
Bolt	
203798 .....	15
29651 .....	29, 33, 35
Booster and Holding Coil	
58804A .....	71, 73
59063A .....	71, 73
Bracket	
D510146 .....	17
D516238 .....	75, 77
Bracket Assembly	
D514351 .....	83
Broken Belt Harness	
D517236 .....	101, 103, 105
D517261 .....	101
Bumper Pad	
36226 .....	35, 37
56128 .....	83, 87
Burner Assembly	
D510149P .....	71, 73, 75, 77

## C

Cabinet Rear Panel	
D514632P .....	83
Cabinet Side Panel	
D510001DGP .....	83
D510001WP .....	83
D510002DGP .....	83
D510002WP .....	83

Card Reader Wire Harness Assembly	
800125P .....	9
Caution Label	
D500253 .....	43
Central Pay Harness	
D511478 .....	7, 9, 19
Clip	
201572 .....	13, 27
Coin Drop	
38963P .....	11, 25
70441601P .....	11, 25
Coin Drop Assembly	
CK114 .....	11, 25
38462P .....	11, 25
38463 .....	11, 25
38464P .....	11, 25
38467 .....	11, 25
38472 .....	11, 25
38475 .....	11, 25
38519 .....	11, 25
38521 .....	11, 25
39157 .....	11, 25
70441602 .....	11, 25
70482401 .....	11, 25
Coin Drop Kit	
CK077 .....	11, 25
CK123 .....	11, 25
Coin Drop Wire Harness	
201104 .....	13, 27
Coin Identification Paper	
38725 .....	13, 27
Combustion Duct	
D510131 .....	69
D510132 .....	69
Connector, 2 Circuit	
58799 .....	97
Connector, 3 Circuit	
58800 .....	95
Contactora	
70482603 .....	85
Contactora Bracket	
D511859 .....	85, 87
Control Assembly	
D514139P .....	19, 35
D515807P .....	7, 9, 19, 35
D515809P .....	19, 35
Control Bracket	
D514261 .....	35
Control Hood	
D502567W .....	7
D511253W .....	9
Control Overlay	
D514367 .....	7
D514368 .....	9
D514369 .....	21
D514370 .....	21
D514479 .....	21
D514485 .....	7
D514654 .....	7
D514655 .....	9
D514656 .....	37
D514657 .....	21
D514658 .....	37

N/A items do not appear in index.

D514659	21
D514660	37
D514926	21
D514928	37
D515059	37
D515415	21
D515652	21
D517425	21
D517618	37
<b>Control Panel</b>	
D510067W	7
D511055W	9
803962BP	29
803962DG	29
803962WP	29
803970B	29
<b>Control Panel and Bracket Assembly</b>	
D513777B	21
D513777DG	21
D513777W	21
<b>Control Panel Assembly</b>	
D514287W	37
D514454	37
D514455	37
D514468	37
<b>Control Wrapper</b>	
804627DG	35
804627W	35
804630B	37
804630DG	37
804630W	37
<b>Control Overlay</b>	
D514373	21
<b>Conversion Kit</b>	
756P3	65
<b>Cylinder Assembly</b>	
D505929LGP	57
D510265LGP	57
D510265WP	57
<b>Cylinder Baffle</b>	
D510102LG	57
D510102W	57
<b>Cylinder Belt</b>	
D511255P	47
<b>Cylinder Glide</b>	
D513710	53
<b>Cylinder Glide Bracket</b>	
D510145	53
<b>Cylinder Roller</b>	
D510708P	59
<b>Cylinder Roller Bracket</b>	
D510100	59
<b>Cylinder Seal Assembly</b>	
D510207P	57, 59

## D

<b>Damper</b>	
58786	83
<b>Diagnostic Wire Harness Assembly</b>	
202869	37
<b>Din Rail</b>	
M412693	85

<b>Directional Exhaust Kit</b>	
528P3	83
<b>Disconnect Power Warning Label</b>	
D505281	17, 107
<b>Door Catch Assembly</b>	
D510177	43
<b>Door Handle Wedge</b>	
D510129W	39, 41
<b>Door Liner Assembly</b>	
D516508	39
<b>Door Liner Grill</b>	
D503870LG	39, 41
D503870W	39, 41
<b>Door Pull</b>	
D512947	39, 41
<b>Door Pull and Wedge Kit</b>	
D510103WP	39, 41
D511213P	39, 41
<b>Door Strike</b>	
D510181	39, 41
<b>Door Strike Mount</b>	
D510127	39, 41
<b>Drip Shield</b>	
D514327	45
<b>Dryer Base</b>	
D514245	83
<b>Dryer Door</b>	
D510013DG	39
D510013WP	39
D510082WP	41
D512969	39
D513225	41
D515961W	41
D515964	41
<b>Dryer Door Window</b>	
D503982P	41
D515681	41
<b>Dual Coin Harness Assembly</b>	
202871	7, 19
<b>Dual Contactor Harness</b>	
D514054	85
<b>Dual Overlay</b>	
39073	15

## E

<b>Elbow</b>	
D513072	71, 75
<b>Elbow Shut-Off Valve</b>	
D510205	71
<b>Electric Harness</b>	
D517206	101, 103
D517220	105
D517254	105
<b>Electrical Shock Label</b>	
F8211201	53
<b>Electronic Coin Drop Assembly</b>	
70294103P	13, 27
70294104	13, 27
70294106	13, 27
70294107	13, 27
70294109	13, 27
70294110	13, 27
70294111	13, 27

N/A items do not appear in index.



70294117	13, 27
70294120	13, 27
70294121	13, 27
70294122	27
70513311	13, 27
<b>Electronic Coin Drop Kit</b>	
CK099	13, 27
CK100	13, 27
CK101	13, 27
CK103	13, 27
CK106	13, 27
CK108	13, 27
CK109	13, 27
CK110	13, 27
CK113	13, 27
CK115	13, 27
CK116	13, 27
CK117	13, 27
CK118	13, 27
CK120	13, 27
CK121	13, 27

<b>Electronic Harness</b>	
D517240	101, 103

<b>End Cap</b>	
210108W	9
210109W	9

<b>End Stop</b>	
F8449801	85

<b>Ethernet Gateway Kit</b>	
NK320	7, 9, 19, 21

<b>Exhaust Duct</b>	
D516196	83

<b>Exhaust Warning Label</b>	
D500497	107

<b>Expansion Clip</b>	
70030501	29, 31, 37

<b>Extractor Tool</b>	
128P4	99
190P4	99

## F

<b>Felt Pad</b>	
D510189	55

<b>Female Piggyback Terminal</b>	
00361	97

<b>Female Pin Terminal</b>	
00117	95
00128	95
00130	95

<b>Female Spade Terminal</b>	
00114	97
00115	97
00121	97
00124	97
00156	97
00189	97
00222	97
00223	97

<b>Female Tab Terminal</b>	
00344	97

<b>Female Terminal</b>	
00188	99
00255	99
00256	99

<b>Filter</b>	
D514384P	93
<b>Filter Harness</b>	
D514036	93
D514037	93
D514040	93
804396	93

<b>Flexible Venting Kit</b>	
521P3	83

<b>Front Bulkhead Assembly</b>	
D510266P	53

<b>Front Panel</b>	
D510066DG	45
D510066WP	45
D512542	45

<b>Front Panel Seal</b>	
D511056	45

## G

<b>Gas Harness</b>	
D517095	101
D517099	101
D517102	105
D517205	101
D517213	101
D517253	105
D517481	105

<b>Gas Valve Assembly</b>	
D513631	71
D515490	71
D516182	75, 77
59063P	71
60353P	71

<b>Gas Valve Coil</b>	
D516699	75, 77

<b>Gas Valve Harness</b>	
D516365	101

<b>Gas Valve Mounting Bracket</b>	
D510128	71, 73
510128	75, 77

<b>Gas Valve, Bracket and Pipe Assembly</b>	
D517606	73
D517607	73
D517608	73
D517612	73
D517613	73

<b>Glide Kit</b>	
RB170003	53

<b>Ground Filter Harness</b>	
D514038	93
D514039	93

<b>Ground Wire Assembly</b>	
D510550	105

<b>Grounding Clip</b>	
00161	97

## H

<b>Harness</b>	
804832	7, 9

<b>Harness Assembly</b>	
D517104	105

N/A items do not appear in index.

802905 .....	25
Harness Strap 55881 .....	95
Heat Duct Shroud D510101 .....	69
Heater D511014P .....	65
Heater Assembly D510324P .....	67
D510326P .....	67
D510327P .....	67
D510329P .....	67
D510330P .....	67
Heater Duct Assembly D510025P .....	65, 67, 69
Heater Harness D514002 .....	85
Heater Kit 964P3 .....	67
965P3 .....	67
Heater Kit Assembly 61927 .....	67
61929 .....	67
61930 .....	67
High Voltage Suppression Cable 44239706 .....	87
Hinge D511036 .....	39, 41
Hinge Hole Plug D510186 .....	45
Hold Down Kit 526P3 .....	83
Hood Back Panel 804886 .....	7
Housing, 10 Position D500338 .....	99

---

<b>I</b>	
ICM Gas Harness D516881 .....	87
Idler Lever D516310 .....	49
Idler Lever and Wheel Assembly D516792 .....	49
Idler Spring D510185 .....	49
Idler Wheel and Bearing Assembly D510142P .....	49
Igniter and Bracket Assembly D510184P .....	71, 73
Ignition Control 70483201P .....	87
Ignition Control Module Main Harness D517023 .....	87
Insulated Female Flag Terminal 00221 .....	97
Insulated Female Spade Terminal 00359 .....	97
00360 .....	95
Insulated Female Terminal 00165 .....	97

---

## J

Jumper D517459 .....	87
Jumper Wire Assembly D511270 .....	65
Junction Box Assembly D516152 .....	91
D516153 .....	91
D516154 .....	91
Junction Box Cover D514363 .....	91
Junction Box Seal D514379P .....	91

---

## K

Key 54612 .....	21
--------------------	----

---

## L

Label D503887 .....	45
Lead-In Cord D502599 .....	89
D514061 .....	89
D516611 .....	89
202777 .....	89
202925 .....	89
202926 .....	89
203208 .....	89
203315 .....	89
203344 .....	89
Lead-In Cord Assembly D503597 .....	89
D506106 .....	89
D510505P .....	89
D516747 .....	89
Lead-In Cord Kit 61605P .....	89
Lead-In Pipe Assembly D510204 .....	71, 75
Leveling Leg D510135 .....	83
Limit Thermostat D510701 .....	65, 67
D510702 .....	69
Line Filter 804844 .....	93
804864 .....	93
Liner and Seal Assembly D516509 .....	41
Liner Door Seal D510147P .....	39, 41
Liner, Seal and Grill Assembly D510163WP .....	39
Lint Filter D503980LG .....	55
D503980W .....	55

N/A items do not appear in index.

Lint Filter Label	
D502781 .....	43
D502804 .....	43
Lock Cam	
804338 .....	21
Lock Kit	
27260P .....	21
Lower Front Harness	
D517214 .....	101
D517248 .....	101
L.P. Conversion Kit	
458P3 .....	79
599P3 .....	79
649P3 .....	79
L.P. Orifice	
D503786 .....	81
58755 .....	81

## M

Machine ID Control Assembly	
203361P .....	7, 9, 19, 35
Male Pin Terminal	
00116 .....	95
00127 .....	95
Male Tab Terminal	
00139 .....	97
Meter Case Assembly	
202877W .....	15
802505W .....	15
807254DG .....	29
807396B .....	29
807396W .....	29
Meter Case Assembly Kit	
807401W .....	15
Meter Case Bracket Gasket	
35526 .....	15
Meter Case Gasket	
26354 .....	15
Meter Case Lockdown Bracket	
35525 .....	15
Meter Case Locking Bracket Kit	
204616 .....	15
Motor and Pulley Assembly	
D505843P .....	47
D505869P .....	47
D511629P .....	47
D516608P .....	47
Motor Hub Ring Kit	
590P3 .....	47
Motor Mount	
D510060 .....	49
Motor Mount Clamp	
D510180 .....	47
Motor Pulley	
D500011 .....	47
D500222 .....	47
Motor Shield	
D514602 .....	49
Motor Switch Bracket	
D516311 .....	49
Mounting Tool Kit	
CK096 .....	13, 27

## N

Nameplate Overlay	
D514681 .....	29
Natural Gas Notice Label	
D501140 .....	107
Network Controller Kit	
NK220 .....	7, 9, 19, 21
Network Retrofit Kit	
203328 .....	7, 9, 19, 21
Notice Label, 20 Amp	
D500496 .....	107
Nut	
201216 .....	13
27222 .....	17
28447 .....	61
29786 .....	11, 15, 25, 27
29787 .....	93
36020 .....	33
44087201 .....	29
51236 .....	93
52566 .....	7, 49
56156 .....	49, 59
N.G. Conversion Kit	
402P3 .....	79
459P3 .....	79
650P3 .....	79
N.G. Orifice	
D503776 .....	81
D503778 .....	81
D503779 .....	81
D503780 .....	81
D510517 .....	81

## O

Operating Instructions Label	
D514392 .....	29
D514393 .....	29, 31
D514929 .....	29
D517764 .....	29
Opto Coupler	
200674P .....	11
Outlet Cover	
D500820 .....	65, 67, 69
D514475 .....	67
D515573 .....	65, 67, 69
Output Board Shield	
D514420 .....	83
Output Control Assembly	
D513797 .....	83
D517269 .....	83
Overlay	
D514873 .....	31
201091 .....	15, 29

## P

Panel Locator	
56079 .....	43, 45, 83
Pinch Warning Label	
F8615701 .....	53

N/A items do not appear in index.

Plug	
23040 .....	95
54522 .....	97
Plug, 1 Circuit	
26302 .....	97
Plug, 2 Circuit	
56266 .....	95
56448 .....	95
Plug, 6 Circuit	
23041 .....	97
Plug, 9 Circuit	
23033 .....	97
Porcelain Touch-Up Paint	
122P4P .....	83
Power Harness	
D514000 .....	85
Pushbutton Switch	
M413431 .....	87

## R

Ratchet Extension Tool	
310P4 .....	99
Rear Access Panel	
803998 .....	29, 31
804614 .....	37
Rear Bulkhead Assembly	
D511082P .....	59
D518128 .....	59
Rear Panel	
804884 .....	9
Rear Wrapper Brace	
805345 .....	35
Receptacle Housing	
90789 .....	97
Receptacle, 1 Circuit	
26301 .....	97
Receptacle, 10 Circuit	
34596 .....	97
Receptacle, 12 Circuit	
D501333 .....	97
56855 .....	97
Receptacle, 2 Circuit	
56265 .....	95
56451 .....	95
Receptacle, 3 Circuit	
23039 .....	95
36170 .....	95
Receptacle, 6 Circuit	
26708 .....	97
Receptacle, 9 Circuit	
26163 .....	97
Retaining Ring	
23748 .....	49, 59
Ring Terminal	
00110 .....	97
00111 .....	97
00319 .....	97
Roller Kit	
RB170002 .....	59
Rubber Foot	
D501855 .....	83

## S

Screw	
D500226 .....	39, 41, 53
D500824 .....	49
D501086 .....	7, 9
D501285 .....	55, 61
D501524 .....	21
D502535 .....	51
D503661 .....	19, 23, 63, 91
D503673 .....	15
D503688 .....	7, 9, 17, 29, 31, 35, 37, 45, 49, 53, 59, 61, 65, 67, 69, 71, 73, 75, 77, 83, 85, 87, 91, 93
D505870 .....	41
D512921 .....	83
D514428 .....	83
D516261 .....	87
M405188 .....	29, 45, 59
02916 .....	7, 9
20530 .....	63, 89
23008 .....	33
23222 .....	65, 67, 71, 73
28448 .....	61
31260 .....	49
33562 .....	43
35528 .....	7, 9
36048 .....	15
38272 .....	87
39733 .....	35, 43, 45, 83
51782 .....	69, 71, 73, 75, 77
52864 .....	7, 9, 53
56124 .....	71, 73, 75, 77
61199 .....	61
62588 .....	57
62853 .....	43
70240301 .....	29, 31
803527P .....	37
804667 .....	83
Screw Orifice	
58719 .....	81
Seal Kit	
RB170001 .....	57, 59
Secondary Coil	
58804B .....	71, 73
59063B .....	71, 73
Security Cabinet Assembly	
804149WP .....	31
Security Kit	
905P3 .....	7, 9
Sensor	
D510213 .....	71, 73
Service Door Assembly	
39874WP .....	15
Shaft	
56461P .....	49, 59
Shock Warning Label	
F8614201 .....	17
Single Drop Overlay	
803476 .....	29
Single Overlay	
38717 .....	15
Snap Bushing	
F140938 .....	83

N/A items do not appear in index.

Spade Terminal	
00245 .....	97
Spark Electrode	
44328701P .....	75, 77
Speed Clip	
28835 .....	45
Strain Relief	
38384 .....	89
52113 .....	89
60298 .....	89
Strain Relief Adapter	
D502496 .....	89
Switch	
D512973 .....	15, 19, 29, 45
D516391 .....	49
70529301 .....	15, 29
Switch Bracket	
D516237 .....	87

## T

Terminal	
00252 .....	97
00347 .....	97
Terminal Block Assembly	
D505876 .....	63
D510190P .....	61
Terminal Block Label	
D501288 .....	107
Terminal Block Shield	
D510237 .....	61
D517715 .....	61, 63
Terminal Block Support Bracket	
D505875 .....	63
Terminal Extractor Tool	
283P4 .....	99
Thermal Fuse Assembly	
D511412 .....	65, 67
Thermistor Assembly	
D502366 .....	51
D510523 .....	51
Thermostat	
D510703 .....	69
Top Hinge	
D510136 .....	83
Top Kit	
D511527WP .....	17
Top Mounting Bracket	
D504228 .....	33
Top Panel	
803868WP .....	33
803869 .....	33
804023DG .....	33
804684 .....	35
804685DG .....	35
804685WP .....	35
Top Panel Brace Assembly	
804613 .....	37
Top Panel Guide	
803761 .....	35
Top Panel Kit	
D511530WP .....	17

Torx Bit	
281P4 .....	99
282P4 .....	99
292P4 .....	99
Torx Drive Tool	
93501 .....	99
Transformer	
D513763P .....	85
202757 .....	7, 9, 19
202758 .....	9, 19, 87
Transformer Harness	
D514069 .....	19
D514071 .....	7, 9
D514072 .....	19
D514073 .....	9
804795 .....	19
805428 .....	19
Transformer Shield	
D514334 .....	85

## U

USB Gateway Kit	
NK330 .....	7, 9, 19, 21
USB IR Interface Kit	
203346 .....	7, 9, 19, 21

## V

Valve Assembly	
60443P .....	71
Venting Instruction Label	
D502791 .....	107

## W

Warning Label	
D500049 .....	53
D500314 .....	53
D500316 .....	17
D502825 .....	43
D512263 .....	45
D514226 .....	43
D514410 .....	43
D514866 .....	43
D514867 .....	43
44324001 .....	53, 107
803260 .....	107
Warning/Caution Label	
D500281 .....	43
Washer	
D504082 .....	59
M400017 .....	7
200608 .....	7, 9
28449 .....	61
52549 .....	49, 59
Window Trim	
D503981W .....	41
D512633 .....	41
D515955 .....	41
D515956W .....	41

N/A items do not appear in index.

Wire Assembly	
D510527 .....	67
D510528 .....	67
Wire Clip	
D504034 .....	95
687500 .....	95
Wire Guard	
201595P .....	11, 25
Wire Harness Assembly	
D512422P .....	101, 103, 105
Wireless Network Board Harness	
F8536002 .....	23
Wireless Network Control Assembly	
807211 .....	23
Wireless Network Harness	
F8674006 .....	23
Wireless Network Kit	
203889 .....	7, 9, 19, 21, 23
204689 .....	7, 9, 19, 21
Wire, 12 Gauge	
45380 .....	101, 103, 105
Wire, 18 Gauge	
45001 .....	101, 103, 105
45102 .....	101
Wiring Harness Assembly	
202868 .....	19
202869 .....	9
Wrapper Assembly	
804103W .....	29
804104B .....	29
804104DG .....	29
804104W .....	29
804112W .....	31

---

---

**A**

Access Panel Assembly	
D514250DG .....	43
D514250WP .....	43
D514251 .....	43
Access Panel Plate	
D510903 .....	83
Adhesive	
D511637P .....	57, 59
Air Duct Assembly	
D510151W .....	53
D518433 .....	53
Anti-Seize Compound	
27604P .....	47, 49
Audit Switch Bracket	
800379 .....	19

---

**B**

Blower Fan Assembly	
D510139P .....	49
Blower Housing	
D511969LG .....	49
D511969WP .....	49
Blower Housing Cover	
D511970 .....	49
Blower Housing Seal	
D510238P .....	49
Bolt	
203798 .....	15
29651 .....	29, 33, 35
Booster and Holding Coil	
58804A .....	71, 73
59063A .....	71, 73
Bracket	
D510146 .....	17
D516238 .....	75, 77
Bracket Assembly	
D514351 .....	83
Broken Belt Harness	
D517236 .....	101, 103, 105
D517261 .....	101
Bumper Pad	
36226 .....	35, 37
56128 .....	83, 87
Burner Assembly	
D510149P .....	71, 73, 75, 77

---

**C**

Cabinet Rear Panel	
D514632P .....	83
Cabinet Side Panel	
D510001DGP .....	83
D510001WP .....	83
D510002DGP .....	83
D510002WP .....	83
Card Reader Wire Harness Assembly	
800125P .....	9
Caution Label	
D500253 .....	43

Central Pay Harness	
D511478 .....	7, 9, 19
Clip	
201572 .....	13, 27
Coin Drop	
38963P .....	11, 25
70441601P .....	11, 25
Coin Drop Assembly	
CK114 .....	11, 25
38462P .....	11, 25
38463 .....	11, 25
38464P .....	11, 25
38467 .....	11, 25
38472 .....	11, 25
38475 .....	11, 25
38519 .....	11, 25
38521 .....	11, 25
39157 .....	11, 25
70441602 .....	11, 25
70482401 .....	11, 25
Coin Drop Kit	
CK077 .....	11, 25
CK123 .....	11, 25
Coin Drop Wire Harness	
201104 .....	13, 27
Coin Identification Paper	
38725 .....	13, 27
Combustion Duct	
D510131 .....	69
D510132 .....	69
Connector, 2 Circuit	
58799 .....	97
Connector, 3 Circuit	
58800 .....	95
Contactora	
70482603 .....	85
Contactora Bracket	
D511859 .....	85, 87
Control Assembly	
D514139P .....	19, 35
D515807P .....	7, 9, 19, 35
D515809P .....	19, 35
Control Bracket	
D514261 .....	35
Control Hood	
D502567W .....	7
D511253W .....	9
Control Overlay	
D514367 .....	7
D514368 .....	9
D514369 .....	21
D514370 .....	21
D514479 .....	21
D514485 .....	7
D514654 .....	7
D514655 .....	9
D514656 .....	37
D514657 .....	21
D514658 .....	37
D514659 .....	21
D514660 .....	37
D514926 .....	21
D514928 .....	37
D515059 .....	37
D515415 .....	21
D515652 .....	21
D517425 .....	21

D517618 .....	37
Control Panel	
D510067W .....	7
D511055W .....	9
803962BP .....	29
803962DG .....	29
803962WP .....	29
803970B .....	29
Control Panel and Bracket Assembly	
D513777B .....	21
D513777DG .....	21
D513777W .....	21
Control Panel Assembly	
D514287W .....	37
D514454 .....	37
D514455 .....	37
D514468 .....	37
Control Wrapper	
804627DG .....	35
804627W .....	35
804630B .....	37
804630DG .....	37
804630W .....	37
Control Overlay	
D514373 .....	21
Conversion Kit	
756P3 .....	65
Cylinder Assembly	
D505929LGP .....	57
D510265LGP .....	57
D510265WP .....	57
Cylinder Baffle	
D510102LG .....	57
D510102W .....	57
Cylinder Belt	
D511255P .....	47
Cylinder Glide	
D513710 .....	53
Cylinder Glide Bracket	
D510145 .....	53
Cylinder Roller	
D510708P .....	59
Cylinder Roller Bracket	
D510100 .....	59
Cylinder Seal Assembly	
D510207P .....	57, 59

## D

Damper	
58786 .....	83
Diagnostic Wire Harness Assembly	
202869 .....	37
Din Rail	
M412693 .....	85
Directional Exhaust Kit	
528P3 .....	83
Disconnect Power Warning Label	
D505281 .....	17, 107
Door Catch Assembly	
D510177 .....	43
Door Handle Wedge	
D510129W .....	39, 41

Door Liner Assembly	
D516508 .....	39
Door Liner Grill	
D503870LG .....	39, 41
D503870W .....	39, 41
Door Pull	
D512947 .....	39, 41
Door Pull and Wedge Kit	
D510103WP .....	39, 41
D511213P .....	39, 41
Door Strike	
D510181 .....	39, 41
Door Strike Mount	
D510127 .....	39, 41
Drip Shield	
D514327 .....	45
Dryer Base	
D514245 .....	83
Dryer Door	
D510013DG .....	39
D510013WP .....	39
D510082WP .....	41
D512969 .....	39
D513225 .....	41
D515961W .....	41
D515964 .....	41
Dryer Door Window	
D503982P .....	41
D515681 .....	41
Dual Coin Harness Assembly	
202871 .....	7, 19
Dual Contactor Harness	
D514054 .....	85
Dual Overlay	
39073 .....	15

## E

Elbow	
D513072 .....	71, 75
Elbow Shut-Off Valve	
D510205 .....	71
Electric Harness	
D517206 .....	101, 103
D517220 .....	105
D517254 .....	105
Electrical Shock Label	
F8211201 .....	53
Electronic Coin Drop Assembly	
70294103P .....	13, 27
70294104 .....	13, 27
70294106 .....	13, 27
70294107 .....	13, 27
70294109 .....	13, 27
70294110 .....	13, 27
70294111 .....	13, 27
70294117 .....	13, 27
70294120 .....	13, 27
70294121 .....	13, 27
70294122 .....	27
70513311 .....	13, 27
Electronic Coin Drop Kit	
CK099 .....	13, 27
CK100 .....	13, 27
CK101 .....	13, 27



CK103 .....	13, 27
CK106 .....	13, 27
CK108 .....	13, 27
CK109 .....	13, 27
CK110 .....	13, 27
CK113 .....	13, 27
CK115 .....	13, 27
CK116 .....	13, 27
CK117 .....	13, 27
CK118 .....	13, 27
CK120 .....	13, 27
CK121 .....	13, 27

Electronic Harness	
D517240 .....	101, 103
End Cap	
210108W .....	9
210109W .....	9
End Stop	
F8449801 .....	85
Ethernet Gateway Kit	
NK320 .....	7, 9, 19, 21
Exhaust Duct	
D516196 .....	83
Exhaust Warning Label	
D500497 .....	107
Expansion Clip	
70030501 .....	29, 31, 37
Extractor Tool	
128P4 .....	99
190P4 .....	99

## F

Felt Pad	
D510189 .....	55
Female Piggyback Terminal	
00361 .....	97
Female Pin Terminal	
00117 .....	95
00128 .....	95
00130 .....	95
Female Spade Terminal	
00114 .....	97
00115 .....	97
00121 .....	97
00124 .....	97
00156 .....	97
00189 .....	97
00222 .....	97
00223 .....	97
Female Tab Terminal	
00344 .....	97
Female Terminal	
00188 .....	99
00255 .....	99
00256 .....	99
Filter	
D514384P .....	93
Filter Harness	
D514036 .....	93
D514037 .....	93
D514040 .....	93
804396 .....	93
Flexible Venting Kit	
521P3 .....	83

Front Bulkhead Assembly	
D510266P .....	53
Front Panel	
D510066DG .....	45
D510066WP .....	45
D512542 .....	45
Front Panel Seal	
D511056 .....	45

## G

Gas Harness	
D517095 .....	101
D517099 .....	101
D517102 .....	105
D517205 .....	101
D517213 .....	101
D517253 .....	105
D517481 .....	105
Gas Valve Assembly	
D513631 .....	71
D515490 .....	71
D516182 .....	75, 77
59063P .....	71
60353P .....	71
Gas Valve Coil	
D516699 .....	75, 77
Gas Valve Harness	
D516365 .....	101
Gas Valve Mounting Bracket	
D510128 .....	71, 73
510128 .....	75, 77
Gas Valve, Bracket and Pipe Assembly	
D517606 .....	73
D517607 .....	73
D517608 .....	73
D517612 .....	73
D517613 .....	73
Glide Kit	
RB170003 .....	53
Ground Filter Harness	
D514038 .....	93
D514039 .....	93
Ground Wire Assembly	
D510550 .....	105
Grounding Clip	
00161 .....	97

## H

Harness	
804832 .....	7, 9
Harness Assembly	
D517104 .....	105
802905 .....	25
Harness Strap	
55881 .....	95
Heat Duct Shroud	
D510101 .....	69
Heater	
D511014P .....	65
Heater Assembly	
D510324P .....	67

D510326P .....	67
D510327P .....	67
D510329P .....	67
D510330P .....	67
Heater Duct Assembly	
D510025P .....	65, 67, 69
Heater Harness	
D514002 .....	85
Heater Kit	
964P3 .....	67
965P3 .....	67
Heater Kit Assembly	
61927 .....	67
61929 .....	67
61930 .....	67
High Voltage Suppression Cable	
44239706 .....	87
Hinge	
D511036 .....	39, 41
Hinge Hole Plug	
D510186 .....	45
Hold Down Kit	
526P3 .....	83
Hood Back Panel	
804886 .....	7
Housing, 10 Position	
D500338 .....	99

## I

ICM Gas Harness	
D516881 .....	87
Idler Lever	
D516310 .....	49
Idler Lever and Wheel Assembly	
D516792 .....	49
Idler Spring	
D510185 .....	49
Idler Wheel and Bearing Assembly	
D510142P .....	49
Igniter and Bracket Assembly	
D510184P .....	71, 73
Ignition Control	
70483201P .....	87
Ignition Control Module Main Harness	
D517023 .....	87
Insulated Female Flag Terminal	
00221 .....	97
Insulated Female Spade Terminal	
00359 .....	97
00360 .....	95
Insulated Female Terminal	
00165 .....	97

## J

Jumper	
D517459 .....	87
Jumper Wire Assembly	
D511270 .....	65
Junction Box Assembly	
D516152 .....	91

D516153 .....	91
D516154 .....	91
Junction Box Cover	
D514363 .....	91
Junction Box Seal	
D514379P .....	91

## K

Key	
54612 .....	21

## L

Label	
D503887 .....	45
Lead-In Cord	
D502599 .....	89
D514061 .....	89
D516611 .....	89
202777 .....	89
202925 .....	89
202926 .....	89
203208 .....	89
203315 .....	89
203344 .....	89
Lead-In Cord Assembly	
D503597 .....	89
D506106 .....	89
D510505P .....	89
D516747 .....	89
Lead-In Cord Kit	
61605P .....	89
Lead-In Pipe Assembly	
D510204 .....	71, 75
Leveling Leg	
D510135 .....	83
Limit Thermostat	
D510701 .....	65, 67
D510702 .....	69
Line Filter	
804844 .....	93
804864 .....	93
Liner and Seal Assembly	
D516509 .....	41
Liner Door Seal	
D510147P .....	39, 41
Liner, Seal and Grill Assembly	
D510163WP .....	39
Lint Filter	
D503980LG .....	55
D503980W .....	55
Lint Filter Label	
D502781 .....	43
D502804 .....	43
Lock Cam	
804338 .....	21
Lock Kit	
27260P .....	21
Lower Front Harness	
D517214 .....	101
D517248 .....	101

L.P. Conversion Kit	
458P3 .....	79
599P3 .....	79
649P3 .....	79
L.P. Orifice	
D503786 .....	81
58755 .....	81

## M

Machine ID Control Assembly	
203361P .....	7, 9, 19, 35
Male Pin Terminal	
00116 .....	95
00127 .....	95
Male Tab Terminal	
00139 .....	97
Meter Case Assembly	
202877W .....	15
802505W .....	15
807254DG .....	29
807396B .....	29
807396W .....	29
Meter Case Assembly Kit	
807401W .....	15
Meter Case Bracket Gasket	
35526 .....	15
Meter Case Gasket	
26354 .....	15
Meter Case Lockdown Bracket	
35525 .....	15
Meter Case Locking Bracket Kit	
204616 .....	15
Motor and Pulley Assembly	
D505843P .....	47
D505869P .....	47
D511629P .....	47
D516608P .....	47
Motor Hub Ring Kit	
590P3 .....	47
Motor Mount	
D510060 .....	49
Motor Mount Clamp	
D510180 .....	47
Motor Pulley	
D500011 .....	47
D500222 .....	47
Motor Shield	
D514602 .....	49
Motor Switch Bracket	
D516311 .....	49
Mounting Tool Kit	
CK096 .....	13, 27

## N

Nameplate Overlay	
D514681 .....	29
Natural Gas Notice Label	
D501140 .....	107
Network Controller Kit	
NK220 .....	7, 9, 19, 21

Network Retrofit Kit	
203328 .....	7, 9, 19, 21
Notice Label, 20 Amp	
D500496 .....	107
Nut	
201216 .....	13
27222 .....	17
28447 .....	61
29786 .....	11, 15, 25, 27
29787 .....	93
36020 .....	33
44087201 .....	29
51236 .....	93
52566 .....	7, 49
56156 .....	49, 59
N.G. Conversion Kit	
402P3 .....	79
459P3 .....	79
650P3 .....	79
N.G. Orifice	
D503776 .....	81
D503778 .....	81
D503779 .....	81
D503780 .....	81
D510517 .....	81

## O

Operating Instructions Label	
D514392 .....	29
D514393 .....	29, 31
D514929 .....	29
D517764 .....	29
Opto Coupler	
200674P .....	11
Outlet Cover	
D500820 .....	65, 67, 69
D514475 .....	67
D515573 .....	65, 67, 69
Output Board Shield	
D514420 .....	83
Output Control Assembly	
D513797 .....	83
D517269 .....	83
Overlay	
D514873 .....	31
201091 .....	15, 29

## P

Panel Locator	
56079 .....	43, 45, 83
Pinch Warning Label	
F8615701 .....	53
Plug	
23040 .....	95
54522 .....	97
Plug, 1 Circuit	
26302 .....	97
Plug, 2 Circuit	
56266 .....	95
56448 .....	95
Plug, 6 Circuit	
23041 .....	97

Plug, 9 Circuit 23033 .....	97
Porcelain Touch-Up Paint 122P4P .....	83
Power Harness D514000 .....	85
Pushbutton Switch M413431 .....	87

## R

Ratchet Extension Tool 310P4 .....	99
Rear Access Panel 803998 .....	29, 31
804614 .....	37
Rear Bulkhead Assembly D511082P .....	59
D518128 .....	59
Rear Panel 804884 .....	9
Rear Wrapper Brace 805345 .....	35
Receptacle Housing 90789 .....	97
Receptacle, 1 Circuit 26301 .....	97
Receptacle, 10 Circuit 34596 .....	97
Receptacle, 12 Circuit D501333 .....	97
56855 .....	97
Receptacle, 2 Circuit 56265 .....	95
56451 .....	95
Receptacle, 3 Circuit 23039 .....	95
36170 .....	95
Receptacle, 6 Circuit 26708 .....	97
Receptacle, 9 Circuit 26163 .....	97
Retaining Ring 23748 .....	49, 59
Ring Terminal 00110 .....	97
00111 .....	97
00319 .....	97
Roller Kit RB170002 .....	59
Rubber Foot D501855 .....	83

## S

Screw D500226 .....	39, 41, 53
D500824 .....	49
D501086 .....	7, 9
D501285 .....	55, 61
D501524 .....	21
D502535 .....	51
D503661 .....	19, 23, 63, 91

D503673 .....	15
D503688 .....	7, 9, 17, 29, 31, 35, 37, 45, 49, 53, 59, 61, 65, 67, 69, 71, 73, 75, 77, 83, 85, 87, 91, 93
D505870 .....	41
D512921 .....	83
D514428 .....	83
D516261 .....	87
M405188 .....	29, 45, 59
02916 .....	7, 9
20530 .....	63, 89
23008 .....	33
23222 .....	65, 67, 71, 73
28448 .....	61
31260 .....	49
33562 .....	43
35528 .....	7, 9
36048 .....	15
38272 .....	87
39733 .....	35, 43, 45, 83
51782 .....	69, 71, 73, 75, 77
52864 .....	7, 9, 53
56124 .....	71, 73, 75, 77
61199 .....	61
62588 .....	57
62853 .....	43
70240301 .....	29, 31
803527P .....	37
804667 .....	83
Screw Orifice 58719 .....	81
Seal Kit RB170001 .....	57, 59
Secondary Coil 58804B .....	71, 73
59063B .....	71, 73
Security Cabinet Assembly 804149WP .....	31
Security Kit 905P3 .....	7, 9
Sensor D510213 .....	71, 73
Service Door Assembly 39874WP .....	15
Shaft 56461P .....	49, 59
Shock Warning Label F8614201 .....	17
Single Drop Overlay 803476 .....	29
Single Overlay 38717 .....	15
Snap Bushing F140938 .....	83
Spade Terminal 00245 .....	97
Spark Electrode 44328701P .....	75, 77
Speed Clip 28835 .....	45
Strain Relief 38384 .....	89
52113 .....	89
60298 .....	89
Strain Relief Adapter D502496 .....	89

Switch	
D512973 .....	15, 19, 29, 45
D516391 .....	49
70529301 .....	15, 29
Switch Bracket	
D516237 .....	87

## T

Terminal	
00252 .....	97
00347 .....	97
Terminal Block Assembly	
D505876 .....	63
D510190P .....	61
Terminal Block Label	
D501288 .....	107
Terminal Block Shield	
D510237 .....	61
D517715 .....	61, 63
Terminal Block Support Bracket	
D505875 .....	63
Terminal Extractor Tool	
283P4 .....	99
Thermal Fuse Assembly	
D511412 .....	65, 67
Thermistor Assembly	
D502366 .....	51
D510523 .....	51
Thermostat	
D510703 .....	69
Top Hinge	
D510136 .....	83
Top Kit	
D511527WP .....	17
Top Mounting Bracket	
D504228 .....	33
Top Panel	
803868WP .....	33
803869 .....	33
804023DG .....	33
804684 .....	35
804685DG .....	35
804685WP .....	35
Top Panel Brace Assembly	
804613 .....	37
Top Panel Guide	
803761 .....	35
Top Panel Kit	
D511530WP .....	17
Torx Bit	
281P4 .....	99
282P4 .....	99
292P4 .....	99
Torx Drive Tool	
93501 .....	99
Transformer	
D513763P .....	85
202757 .....	7, 9, 19
202758 .....	9, 19, 87
Transformer Harness	
D514069 .....	19
D514071 .....	7, 9
D514072 .....	19

D514073 .....	9
804795 .....	19
805428 .....	19
Transformer Shield	
D514334 .....	85

## U

USB Gateway Kit	
NK330 .....	7, 9, 19, 21
USB IR Interface Kit	
203346 .....	7, 9, 19, 21

## V

Valve Assembly	
60443P .....	71
Venting Instruction Label	
D502791 .....	107

## W

Warning Label	
D500049 .....	53
D500314 .....	53
D500316 .....	17
D502825 .....	43
D512263 .....	45
D514226 .....	43
D514410 .....	43
D514866 .....	43
D514867 .....	43
44324001 .....	53, 107
803260 .....	107
Warning/Caution Label	
D500281 .....	43
Washer	
D504082 .....	59
M400017 .....	7
200608 .....	7, 9
28449 .....	61
52549 .....	49, 59
Window Trim	
D503981W .....	41
D512633 .....	41
D515955 .....	41
D515956W .....	41
Wire Assembly	
D510527 .....	67
D510528 .....	67
Wire Clip	
D504034 .....	95
687500 .....	95
Wire Guard	
201595P .....	11, 25
Wire Harness Assembly	
D512422P .....	101, 103, 105
Wireless Network Board Harness	
F8536002 .....	23
Wireless Network Control Assembly	
807211 .....	23

Wireless Network Harness	
F8674006 .....	23
Wireless Network Kit	
203889 .....	7, 9, 19, 21, 23
204689 .....	7, 9, 19, 21
Wire, 12 Gauge	
45380 .....	101, 103, 105
Wire, 18 Gauge	
45001 .....	101, 103, 105
45102 .....	101
Wiring Harness Assembly	
202868 .....	19
202869 .....	9
Wrapper Assembly	
804103W .....	29
804104B .....	29
804104DG .....	29
804104W .....	29
804112W .....	31